
ARM®-based 32-bit Cortex®-M4 MCU +FPU with 256 to 4032 KB Flash, sLib, dual QSPI, SDRAM, camera, 18 timers, 3 ADCs, 23 communication interfaces (dual OTGFS and Ethernet)

Features

- **Core: ARM® 32-bit Cortex®-M4 CPU with FPU**
 - 288 MHz maximum frequency, with a memory protection unit (MPU), single-cycle multiplication and hardware division
 - Floating point unit (FPU)
 - DSP instructions
- **Memories**
 - 256 to 4032 Kbytes of internal Flash memory
 - sLib: configurable part of main Flash set as a library area with code executable but secured, non-readable
 - Default 384 Kbytes of SRAM, configurable up to maximum 512 Kbytes
 - External memory controller (XMC) with 16-bit data bus. Supports CF card, SRAM, PSRAM, NOR, NAND, and SDRAM memories
 - Up to 2 x QSPI interfaces for external SPI Flash or SPI RAM extension, and memory mapping mode
- **XMC as LCD parallel interface, compatible with 8080/6800 modes**
- **Power control (PWC)**
 - 2.6 V ~ 3.6 V power supply
 - Power on reset (POR), low voltage reset (LVR), and power voltage monitoring (PVM)
 - Low power: Sleep, DeepSleep, and Standby modes
 - V_{BAT} supply for LEXT, ERTC and 20 x 32-bit battery powered registers (BPR)
- **Clock and reset management (CRM)**
 - 4 to 25 MHz crystal oscillator (HEXT)
 - 48 MHz internal factory-trimmed clock (HICK), accuracy $\pm 1\%$ at $T_A = 25\text{ }^\circ\text{C}$ and $\pm 2.5\%$ at $T_A = -40$ to $+105\text{ }^\circ\text{C}$, with automatic clock calibration (ACC)
 - PLL flexible multiplication and division factor
 - 32 kHz crystal (LEXT)
 - Low speed internal clock (LICK)
- **Analog**
 - 3 x 12-bit 5.33 MSPS A/D converters, up to 24 input channels, 12/10/8/6-bit configurable resolution, hardware over-sampling up to equivalent 16-bit resolution
 - Temperature sensor (V_{TS}), internal reference voltage (V_{INTRV}), V_{BAT} battery voltage monitor ($V_{BAT/4}$)
 - 2 x 12-bit D/A converters
- **DMA**
 - 2 x general-purpose DMAs and 1 x EDMA
 - 22 channels in all
- **Up to 116 fast GPIO interfaces**
 - All mappable to 16 external interrupts (EXINT)
 - Almost 5V-tolerant
- **Up to 18 timers (TMR)**
 - Up to 3 x 16-bit 7-channel advanced timer, including three independent channels for complementary PWM output, with dead-time generator and emergency brake
 - Up to 8 x 16-bit + 2 x 32-bit timers, each with 4 IC/OC/PWM or pulse counter
 - 2 x watchdog timers (general WDT and windowed WWDT)
 - SysTick timer: a 24-bit downcounter
- **ERTC: enhanced RTC with auto-wakeup, alarm, subsecond precision, hardware calendar and calibration feature**
- **Up to 23 communication interfaces**
 - Up to 3 x I²C interfaces (SMBus/PMBus)
 - Up to 4 x USARTs/4 x UARTx (ISO7816, LIN, IrDA capability, modern control and RS485 drive enable), support TX/RX swap
 - Up to 4 x SPIs (36 Mbit/s), all with I²S interface multiplexed, I²S2/I²S3 support full-duplex
 - Up to 2 x CAN interfaces (2.0B Active)
 - Up to 2 x OTG FS controller, supporting crystal-less in device mode
 - Up to 2 x SDIO interfaces
 - Infrared transmitter (IRTMR)
 - 10/100M Ethernet MAC (EMAC), with dedicated DMA and 4 KB of buffer, IEEE 1588 hardware support, MII/RMII available (for AT32F437 only)
- **8~14-bit digital video parallel (DVP) interface**
- **CRC calculation unit**
- **96-bit unique ID (UID)**
- **Debug mode**
 - Serial wire debug (SWD) and JTAG interfaces

- **Operating temperatures: -40 to +105 °C**
- **Packages**
 - LQFP144 20 x 20 mm
 - LQFP100 14 x 14 mm
 - LQFP64 10 x 10 mm
 - LQFP48 7 x 7 mm
 - QFN48 6 x 6 mm

Table 1. AT32F435 device summary

Internal Flash	Part number
4032 Kbytes	AT32F435ZMT7, AT32F435VMT7, AT32F435RMT7, AT32F435CMT7, AT32F435CMU7
1024 Kbytes	AT32F435ZGT7, AT32F435VGT7, AT32F435RGT7, AT32F435CGT7, AT32F435CGU7
448 Kbytes	AT32F435ZDT7, AT32F435VDT7, AT32F435RDT7, AT32F435CDT7, AT32F435CDU7
256 Kbytes	AT32F435ZCT7, AT32F435VCT7, AT32F435RCT7, AT32F435CCT7, AT32F435CCU7

Table 2. AT32F437 device summary

Internal Flash	Part number
4032 Kbytes	AT32F437ZMT7, AT32F437VMT7, AT32F437RMT7
1024 Kbytes	AT32F437ZGT7, AT32F437VGT7, AT32F437RGT7
448 Kbytes	AT32F437ZDT7, AT32F437VDT7, AT32F437RDT7
256 Kbytes	AT32F437ZCT7, AT32F437VCT7, AT32F437RCT7

Contents

1	Description	12
2	Functionality overview	17
2.1	ARM®Cortex®-M4 with FPU	17
2.2	Memory	18
2.2.1	Internal Flash memory	18
2.2.2	Memory protection unit (MPU)	18
2.2.3	Embedded SRAM.....	18
2.2.4	External memory controller (XMC).....	18
2.2.5	Quad serial peripheral interface (QSPI).....	18
2.3	Interrupts	19
2.3.1	Nested vectored interrupt controller (NVIC).....	19
2.3.2	External interrupts (EXINT)	19
2.4	Power control (PWC).....	19
2.4.1	Power supply schemes	19
2.4.2	Reset and power voltage monitoring (POR / LVR / PVM)	19
2.4.3	Voltage regulator (LDO)	19
2.4.4	Low-power modes.....	20
2.5	Boot modes	20
2.6	Clocks	21
2.7	General-purpose inputs / outputs (GPIO)	21
2.8	Direct Memory Access Controller (DMA)	22
2.9	Timers (TMR)	22
2.9.1	Advanced timers (TMR1, TMR8 and TMR20)	23
2.9.2	General-purpose timers (TMR2~5 and TMR9~14).....	23
2.9.3	Basic timers (TMR6 and TMR7).....	24
2.9.4	SysTick timer	24
2.10	Watchdog (WDT).....	24
2.11	Window watchdog (WWDT)	24
2.12	Enhanced real-time clock (ERTC) and battery powered registers (BPR).....	24
2.13	Communication interfaces	25
2.13.1	Serial peripheral interface (SPI).....	25

2.13.2	Inter-integrated sound interface (I ² S).....	25
2.13.3	Universal synchronous / asynchronous receiver transmitters (USART)	25
2.13.4	Inter-integrated-circuit interface (I ² C).....	26
2.13.5	Secure digital input / output interface (SDIO)	26
2.13.6	Controller area network (CAN).....	26
2.13.7	Universal serial bus On-The-Go full-speed (OTGFS).....	27
2.13.8	Infrared transmitter (IRTMR)	27
2.13.9	Ethernet MAC interface (EMAC).....	28
2.14	Digital video parallel interface (DVP)	28
2.15	Cyclic redundancy check (CRC) calculation unit	28
2.16	Analog-to-digital converter (ADC).....	29
2.16.1	Temperature sensor (V _{TS})	29
2.16.2	Internal reference voltage (V _{INTRV})	29
2.16.3	V _{BAT} monitor (V _{BAT} /4).....	29
2.17	Digital-to-analog converter (DAC).....	30
2.18	Serial wire (SWD) / JTAG debug port	30
3	Pin functional definitions	31
4	Memory mapping	46
5	Electrical characteristics	47
5.1	Test conditions.....	47
5.1.1	Minimum and maximum values	47
5.1.2	Typical values.....	47
5.1.3	Typical curves.....	47
5.1.4	Power supply scheme	47
5.2	Absolute maximum values.....	48
5.2.1	Ratings	48
5.2.2	Electrical sensitivity	49
5.3	Specification	50
5.3.1	General operating conditions	50
5.3.2	Operating conditions at power-up / power-down	50
5.3.3	Embedded reset and power control block characteristics	51
5.3.4	Memory characteristics	52

5.3.5	Supply current characteristics	53
5.3.6	External clock source characteristics	63
5.3.7	Internal clock source characteristics	67
5.3.8	PLL characteristics	68
5.3.9	Wakeup time from low-power mode	68
5.3.10	EMC characteristics	68
5.3.11	GPIO port characteristics	69
5.3.12	NRST pin characteristics	71
5.3.13	XMC (SDRAM included) characteristics	71
5.3.14	TMR characteristics	90
5.3.15	SPI characteristics	90
5.3.16	I ² S characteristics	92
5.3.17	QSPI characteristics	94
5.3.18	I ² C characteristics	94
5.3.19	SDIO characteristics	95
5.3.20	OTGFS characteristics	96
5.3.21	EMAC characteristics	97
5.3.22	DVP characteristics	99
5.3.23	12-bit ADC characteristics	100
5.3.24	Internal reference voltage (V_{INTRV}) characteristics	103
5.3.25	Temperature sensor (V_{TS}) characteristics	104
5.3.26	V_{BAT} voltage monitor characteristics	105
5.3.27	12-bit DAC characteristics	106
6	Package information	107
6.1	LQFP144	107
6.2	LQFP100	109
6.3	LQFP64	111
6.4	LQFP48	113
6.5	QFN48	115
6.6	Device marking	116
6.7	Thermal characteristics	117
7	Part numbering	118

8 Document revision history119

List of tables

Table 1. AT32F435 device summary	2
Table 2. AT32F437 device summary	2
Table 3. AT32F435 features and peripheral counts.....	13
Table 4. AT32F437 features and peripheral counts.....	15
Table 5. Bootloader supporting part numbers and pin configurations.....	21
Table 6. Timer feature comparison	22
Table 7. USART/UART feature comparison	26
Table 8. AT32F435/437 series pin definitions.....	35
Table 9. XMC pin definition	43
Table 10. Voltage characteristics	48
Table 11. Current characteristics	48
Table 12. Temperature characteristics.....	48
Table 13. ESD values	49
Table 14. Latch-up values.....	49
Table 15. General operating conditions.....	50
Table 16. Operating conditions at power-up/power-down.....	50
Table 17. Embedded reset and power management block characteristics.....	51
Table 18. Internal Flash memory characteristics ⁽¹⁾	52
Table 19. Internal Flash memory endurance and data retention ⁽¹⁾	52
Table 20. Typical current consumption in Run mode.....	54
Table 21. Typical current consumption in Sleep mode	55
Table 22. Maximum current consumption in Run mode	56
Table 23. Maximum current consumption in Sleep mode	57
Table 24. Typical and maximum current consumptions in DeepSleep and Standby modes.....	58
Table 25. Typical and maximum current consumptions on V _{BAT}	60
Table 26. Peripheral current consumption.....	61
Table 27. HEXT 4 ~ 25 MHz crystal characteristics ⁽¹⁾⁽²⁾	63
Table 28. HEXT external source characteristics.....	64
Table 29. LEXT 32.768 kHz crystal characteristics ⁽¹⁾⁽²⁾	65
Table 30. LEXT external source characteristics	66
Table 31. HICK clock characteristics	67
Table 32. LICK clock characteristics	67
Table 33. PLL characteristics.....	68
Table 34. Low-power mode wakeup time	68

Table 35. EMS characteristics	68
Table 36. GPIO static characteristics.....	69
Table 37. Output voltage characteristics.....	70
Table 38. Input AC characteristics	70
Table 39. NRST pin characteristics.....	71
Table 40. Asynchronous non-multiplexed SRAM/PSRAM/NOR read timings	72
Table 41. Asynchronous non-multiplexed SRAM/PSRAM/NOR write timings	73
Table 42. Asynchronous multiplexed PSRAM/NOR read timings	74
Table 43. Asynchronous multiplexed PSRAM/NOR write timings	75
Table 44. Synchronous non-multiplexed PSRAM/NOR read timings.....	76
Table 45. Synchronous non-multiplexed PSRAM write timings	78
Table 46. Synchronous multiplexed PSRAM/NOR read timings	79
Table 47. Synchronous multiplexed PSRAM write timings.....	80
Table 48. NAND Flash read and write timings.....	81
Table 49. PC card /CF read and write timings.....	84
Table 50. SDRAM read timings.....	88
Table 51. SDRAM write timings	89
Table 52. TMR characteristics	90
Table 53. SPI characteristics	90
Table 54. I ² S characteristics	92
Table 55. QSPI characteristics.....	94
Table 56. SD/MMC characteristics	95
Table 57. OTGFS startup time	96
Table 58. OTGFS DC electrical characteristics	96
Table 59. OTGFS electrical characteristics	96
Table 60. EMAC DC electrical characteristics	97
Table 61. Dynamic characteristics: EMAC signals for SMI	97
Table 62. Dynamic characteristics: EMAC signals for RMII	97
Table 63. Dynamic characteristics: EMAC signals for MII.....	98
Table 64. ADC characteristics.....	100
Table 65. R _{AIN} max for f _{ADC} = 80 MHz.....	101
Table 66. ADC accuracy ⁽¹⁾⁽²⁾	101
Table 67. Internal reference voltage characteristics.....	103
Table 68. Temperature sensor characteristics.....	104
Table 69. V _{BAT} voltage monitor characteristics	105

Table 70. DAC characteristics.....	106
Table 71. LQFP144 – 20 x 20 mm 144 pin low-profile quad flat package mechanical data.....	108
Table 72. LQFP100 – 14 x 14 mm 100 pin low-profile quad flat package mechanical data.....	110
Table 73. LQFP64 – 10 x 10 mm 64 pin low-profile quad flat package mechanical data.....	112
Table 74. LQFP48 – 7 x 7 mm 48 pin low-profile quad flat package mechanical data.....	114
Table 75. QFN48 – 6 x 6 mm 48 pin quad flat no-leads package mechanical data	116
Table 76. Package thermal characteristics.....	117
Table 77. AT32F435/437 series part numbering.....	118
Table 78. Document revision history.....	119

List of figures

Figure 1. AT32F435/437 block diagram	17
Figure 2. AT32F435/437 LQFP144 pinout	31
Figure 3. AT32F435/437 LQFP100 pinout	32
Figure 4. AT32F435/437 LQFP64 pinout	33
Figure 5. AT32F435 LQFP48 pinout	34
Figure 6. AT32F435 QFN48 pinout	34
Figure 7. Memory mapping (AT32F435/437xM)	46
Figure 8. Power supply scheme	47
Figure 9. Power on reset and low voltage reset waveform	52
Figure 10. Typical current consumption in DeepSleep mode with regulator in run mode and output 1.2 V vs. temperature at different V_{DD}	58
Figure 11. Typical current consumption in DeepSleep mode with regulator in low-power mode and output 1.0 V vs. temperature at different V_{DD}	59
Figure 12. Typical current consumption in Standby mode vs. temperature at different V_{DD} (AT32F435/437xD).....	59
Figure 13. Typical current consumption in Standby mode vs. temperature at different V_{DD} (others).....	60
Figure 14. Typical current consumption on V_{BAT} with LEXT and ERTC ON vs. temperature at different V_{BAT}	60
Figure 15. HEXT typical application with an 8 MHz crystal.....	63
Figure 16. HEXT external source AC timing diagram.....	64
Figure 17. LEXT typical application with a 32.768 kHz crystal	65
Figure 18. LEXT external source AC timing diagram	66
Figure 19. HICK clock frequency accuracy vs. temperature.....	67
Figure 20. Recommended NRST pin protection	71
Figure 21. Asynchronous non-multiplexed SRAM/PSRAM/NOR read waveforms	72
Figure 22. Asynchronous non-multiplexed SRAM/PSRAM/NOR write waveforms	73
Figure 23. Asynchronous multiplexed PSRAM/NOR read waveforms	74
Figure 24. Asynchronous multiplexed PSRAM/NOR write waveforms	75
Figure 25. Synchronous non-multiplexed PSRAM/NOR read waveforms.....	77
Figure 26. Synchronous non-multiplexed PSRAM write waveforms.....	78
Figure 27. Synchronous multiplexed PSRAM/NOR read waveforms	79
Figure 28. Synchronous multiplexed PSRAM write waveforms	80
Figure 29. NAND controller read waveforms.....	82
Figure 30. NAND controller write waveforms	82

Figure 31. NAND controller common memory read waveforms	82
Figure 32. NAND controller for common memory write waveforms.....	83
Figure 33. PC card/CF controller waveforms for common memory read access	85
Figure 34. PC card/CF controller waveforms for common memory write access.....	85
Figure 35. PC card/CF controller waveforms for attribute memory read access	86
Figure 36. PC card/CF controller waveforms for attribute memory write access.....	86
Figure 37. PC card /CF controller waveforms for I/O space read access.....	87
Figure 38. PC card/CF controller waveforms for I/O space write access	87
Figure 39. SDRAM read waveforms.....	88
Figure 40. SDRAM write waveforms	89
Figure 41. SPI timing diagram – slave mode and CPHA = 0	91
Figure 42. SPI timing diagram – slave mode and CPHA = 1	91
Figure 43. SPI timing diagram – master mode.....	91
Figure 44. I ² S slave timing diagram (Philips protocol)	92
Figure 45. I ² S master timing diagram (Philips protocol).....	93
Figure 46. QSPI timing diagram	94
Figure 47. SDIO high-speed mode.....	95
Figure 48. SD default mode.....	95
Figure 49. OTGFS timings: definition of data signal rise and fall time	96
Figure 50. EMAC SMI timing diagram	97
Figure 51. EMAC RMI timing diagram.....	98
Figure 52. EMAC MII timing diagram	98
Figure 53. DVP timing diagram.....	99
Figure 54. ADC accuracy characteristics	102
Figure 55. Typical connection diagram using the ADC	102
Figure 56. Power supply and reference decoupling (V_{REF+} connected to V_{DDA})	103
Figure 57. Power supply and reference decoupling (V_{REF+} not connected to V_{DDA})	103
Figure 58. Ideal curve of V_{TS} vs. temperature	104
Figure 59. LQFP144 – 20 x 20 mm 144 pin low-profile quad flat package outline	107
Figure 60. LQFP100 – 14 x 14 mm 100 pin low-profile quad flat package outline	109
Figure 61. LQFP64 – 10 x 10 mm 64 pin low-profile quad flat package outline	111
Figure 62. LQFP48 – 7 x 7 mm 48 pin low-profile quad flat package outline	113
Figure 63. QFN48 – 6 x 6 mm 48 pin quad flat no-leads package outline.....	115
Figure 64. Marking example	116

1 Description

The AT32F435/437 is based on the high-performance ARM® Cortex®-M4 32-bit RISC core running up to 288 MHz. The Cortex®-M4 core features a Floating point unit (FPU) single precision which supports all ARM single-precision data processing instructions and data type. It also implements a full set of DSP instructions and a memory protection unit (MPU) which enhances application security.

The AT32F435/437 incorporates high-speed embedded memories (up to 4032 Kbytes of internal Flash memory and configurable maximum 512 Kbytes of SRAM), enhanced GPIOs and peripherals connected to two APB buses. Any block of the embedded Flash memory can be protected by the “sLib”, functioning as a security area with code-executable only. In addition, the AT32F435/437 includes high-level memory extension: one external memory controller (XMC) (SDRAM interfaced included) and two quad-SPI interface (QSPI).

The AT32F435/437 offers three 12-bit ADCs, two 12-bit DACs, 13 general-purpose 16-bit timers (three PWM advanced timers for motor control included), two general-purpose 32-bit timers, and one low-power ERTC. It supports standard and advanced communication interfaces: up to three I²Cs, four SPIs (all multiplexed as I²Ss), two SDIOs, four USARTs plus four UARTs, one infrared transmitter, two OTGFS interfaces, two CANs, one digital video parallel (DVP) interface, and an Ethernet MAC (EMAC) interface.

The AT32F435/437 operates in the -40 to +105 °C temperature range, from a 2.6 to 3.6 V power supply. A comprehensive set of power-saving mode meets the requirements of low-power application.

The AT32F435/437 offers devices in different package types. Depending on the different packages, the pin-to-pin is completely compatible among devices, and also the software and functionality. Only different sets of peripherals are included.

Table 3. AT32F435 features and peripheral counts

Part number		AT32F435xxU7				AT32F435xxT7															
		CC	CD	CG	CM	CC	CD	CG	CM	RC	RD	RG	RM	VC	VD	VG	VM	ZC	ZD	ZG	ZM
Frequency (MHz)		288																			
Int. Flash ⁽¹⁾⁽²⁾	ZW (Kbytes)	256	256	256	256	256	256	256	256	256	256	256	256	256	256	256	256	256	256	256	256
	NZW (Kbytes)	0	192	768	3776	0	192	768	3776	0	192	768	3776	0	192	768	3776	0	192	768	3776
	Total (Kbytes)	256	448	1024	4032	256	448	1024	4032	256	448	1024	4032	256	448	1024	4032	256	448	1024	4032
SRAM ⁽²⁾ (Kbytes)		384 by default, configurable maximum 512																			
XMC		-				-				1 ⁽³⁾				1 ⁽⁴⁾⁽⁵⁾				1			
SDRAM		-				-				-				1 ⁽⁴⁾				1			
QSPI		2				2				2				2				2			
Timers	Advanced	3				3				3				3				3			
	32-bit general-purpose	2				2				2				2				2			
	16-bit general-purpose	8				8				8				8				8			
	Basic	2				2				2				2				2			
	SysTick	1				1				1				1				1			
	WDT	1				1				1				1				1			
	WWDT	1				1				1				1				1			
	ERTC	1				1				1				1				1			
Communication interfaces	I ² C	3				3				3				3				3			
	SPI ⁽⁶⁾	4				4				4				4				4			
	I ² S ⁽⁶⁾	4 (2 full-duplex)				4 (2 full-duplex)				4 (2 full-duplex)				4 (2 full-duplex)				4 (2 full-duplex)			
	USART + UART	3 + 4 ⁽⁷⁾				3 + 4 ⁽⁷⁾				4 + 4				4 + 4				4 + 4			
	SDIO	1 ⁽⁸⁾				1 ⁽⁸⁾				2				2				2			
	OTGFS	2				2				2				2				2			
	CAN	2				2				2				2				2			
	IRTMR	1				1				1				1				1			
Analog	12-bit ADC numbers/channels	10				10				16				16				24			
	12-bit DAC numbers	2																			
DVP ⁽⁹⁾		1				1				1				1				1			
GPIO		39				39				53				84				116			
Operating temperature		-40 °C to +105 °C																			
Packages		QFN48 6 x 6 mm				LQFP48 7 x 7 mm				LQFP64 10 x 10 mm				LQFP100 14 x 14 mm				LQFP144 20 x 20 mm			

- (1) ZW = = zero wait-state, up to SYSCLK 288 MHz
NZW = non-zero wait-state
- (2) The internal Flash and SRAM sizes are configurable with User System Data, configurable in every 64-KByte step. Take the AT32F435xC as an example, the Flash/SRAM can be configured into three options below:
 - ZW: 256 Kbytes, NZW: 0 Kbyte, SRAM: 384 Kbytes (default setting before shipping form the factory)
 - ZW: 192 Kbytes, NZW: 64 Kbytes, SRAM: 448 Kbytes
 - ZW: 128 Kbytes, NZW: 128 Kbytes, SRAM: 512 Kbytes
 Take the AT32F435xD as an example, the Flash/SRAM can be configured into six options below:
 - ZW: 448 Kbytes, NZW: 0 Kbyte, SRAM: 192 Kbytes
 -
 - ZW: 256 Kbytes, NZW: 192 Kbytes, SRAM: 384 Kbytes (default setting before shipping form the factory)
 -
 - ZW: 128 Kbytes, NZW: 320 Kbytes, SRAM: 512 Kbytes
 Take the AT32F435xG as an example, the Flash/SRAM can be configured into seven options below:
 - ZW: 512 Kbytes, NZW: 512 Kbytes, SRAM: 128 Kbytes
 -
 - ZW: 256 Kbytes, NZW: 768 Kbytes, SRAM: 384 Kbytes (default setting before shipping form the factory)
 -
 - ZW: 128 Kbytes, NZW: 896 Kbytes, SRAM: 512 Kbytes
 Take the AT32F435xM as an example, the Flash/SRAM can be configured into seven options below:
 - ZW: 512 Kbytes, NZW: 3520 Kbytes, SRAM: 128 Kbytes
 -
 - ZW: 256 Kbytes, NZW: 3776 Kbytes, SRAM: 384 Kbytes (default setting before shipping form the factory)
 -
 - ZW: 128 Kbytes, NZW: 3904 Kbytes, SRAM: 512 Kbytes
- (3) For LQFP64 package, XMC only supports the LCD panel with 8-bit mode.
- (4) For the LQFP100 package, XMC supports to directly connect a multiplexed NOR/PSRAM memory, a 16- or 8-bit NAND Flash memory, and the SDRAM. The interrupt line cannot be used since Port G is not available in this package.
- (5) For the LQFP100 package, XMC supports a non-multiplexed NOR/PSRAM memory via the external latch circuit. Please refer to the application note AN0068.
- (6) Half-duplex I²S shares the same pin with SPI.
- (7) For LQFP48 and QFN48 packages, UART8 is not available and USART6 is used as UART for no CK pinout.
- (8) For LQFP48 and QFN48 packages, either SDIO1 or SDIO2 can be used. The SDIO2 only supports maximum 4-bit (D0~D3) mode.
- (9) Only LQFP144 package supports maximum 14-bit mode; LQFP48 and QFN48 packages support only 8-bit mode; LQFP100 and LQFP64 packages support maximum 12-bit mode.

Table 4. AT32F437 features and peripheral counts

Part number		AT32F437xxT7											
		RC	RD	RG	RM	VC	VD	VG	VM	ZC	ZD	ZG	ZM
Frequency (MHz)		288											
Int. Flash ⁽¹⁾⁽²⁾	ZW (Kbytes)	256	256	256	256	256	256	256	256	256	256	256	256
	NZW (Kbytes)	0	192	768	3776	0	192	768	3776	0	192	768	3776
	Total (Kbytes)	256	448	1024	4032	256	448	1024	4032	256	448	1024	4032
SRAM ⁽²⁾ (Kbytes)		384 by default, configurable maximum 512											
XMC		1 ⁽³⁾				1 ⁽⁴⁾⁽⁵⁾				1			
SDRAM		-				1 ⁽⁴⁾				1			
QSPI		2				2				2			
Timers	Advanced	3				3				3			
	32-bit general-purpose	2				2				2			
	16-bit general-purpose	8				8				8			
	Basic	2				2				2			
	SysTick	1				1				1			
	WDT	1				1				1			
	WWDT	1				1				1			
	ERTC	1				1				1			
Communication interfaces	I ² C	3				3				3			
	SPI ⁽⁶⁾	4				4				4			
	I ² S ⁽⁶⁾	4 (2 full-duplex)				4 (2 full-duplex)				4 (2 full-duplex)			
	USART + UART	4 + 4				4 + 4				4 + 4			
	SDIO	2				2				2			
	OTGFS	2				2				2			
	CAN	2				2				2			
	EMAC	1				1				1			
	IRTMR	1				1				1			
Analog	12-bit ADC numbers/channels	3				16				24			
	12-bit DAC numbers	2											
DVP ⁽⁷⁾		1				1				1			
GPIO		53				84				116			
Operating temperature		-40 °C to +105 °C											
Packages		LQFP64 10 x 10 mm				LQFP100 14 x 14 mm				LQFP144 20 x 20 mm			

- (1) ZW = zero wait-state, up to SYSCLK 288 MHz
NZW = non-zero wait-state
- (2) The internal Flash and SRAM sizes are configurable with User System Data, configurable in every 64-KByte step. Take the AT32F437xC as an example, the Flash/SRAM can be configured into three options below:
 - ZW: 256 Kbytes, NZW: 0 Kbyte, SRAM: 384 Kbytes (default setting before shipping form the factory)
 - ZW: 192 Kbytes, NZW: 64 Kbytes, SRAM: 448 Kbytes
 - ZW: 128 Kbytes, NZW: 128 Kbytes, SRAM: 512 Kbytes
 Take the AT32F437xD as an example, the Flash/SRAM can be configured into six options below:
 - ZW: 448 Kbytes, NZW: 0 Kbyte, SRAM: 192 Kbytes
 -
 - ZW: 256 Kbytes, NZW: 192 Kbytes, SRAM: 384 Kbytes (default setting before shipping form the factory)
 -
 - ZW: 128 Kbytes, NZW: 320 Kbytes, SRAM: 512 Kbytes
 Take the AT32F437xG as an example, the Flash/SRAM can be configured into seven options below:
 - ZW: 512 Kbytes, NZW: 512 Kbytes, SRAM: 128 Kbytes
 -
 - ZW: 256 Kbytes, NZW: 768 Kbytes, SRAM: 384 Kbytes (default setting before shipping form the factory)
 -
 - ZW: 128 Kbytes, NZW: 896 Kbytes, SRAM: 512 Kbytes
 Take the AT32F437xM as an example, the Flash/SRAM can be configured into seven options below:
 - ZW: 512 Kbytes, NZW: 3520 Kbytes, SRAM: 128 Kbytes
 -
 - ZW: 256 Kbytes, NZW: 3776 Kbytes, SRAM: 384 Kbytes (default setting before shipping form the factory)
 -
 - ZW: 128 Kbytes, NZW: 3904 Kbytes, SRAM: 512 Kbytes
- (3) For LQFP64 package, XMC only supports the LCD panel with 8-bit mode.
- (4) For the LQFP100 package, XMC supports to directly connect a multiplexed NOR/PSRAM memory, a 16- or 8-bit NAND Flash memory, and the SDRAM. The interrupt line cannot be used since Port G is not available in this package.
- (5) For the LQFP100 package, XMC supports a non-multiplexed NOR/PSRAM memory via the external latch circuit. Please refer to the application note AN0068.
- (6) Half-duplex I²S shares the same pin with SPI.
- (7) Only LQFP144 package supports maximum 14-bit mode; LQFP100 and LQFP64 packages support maximum 12-bit mode.

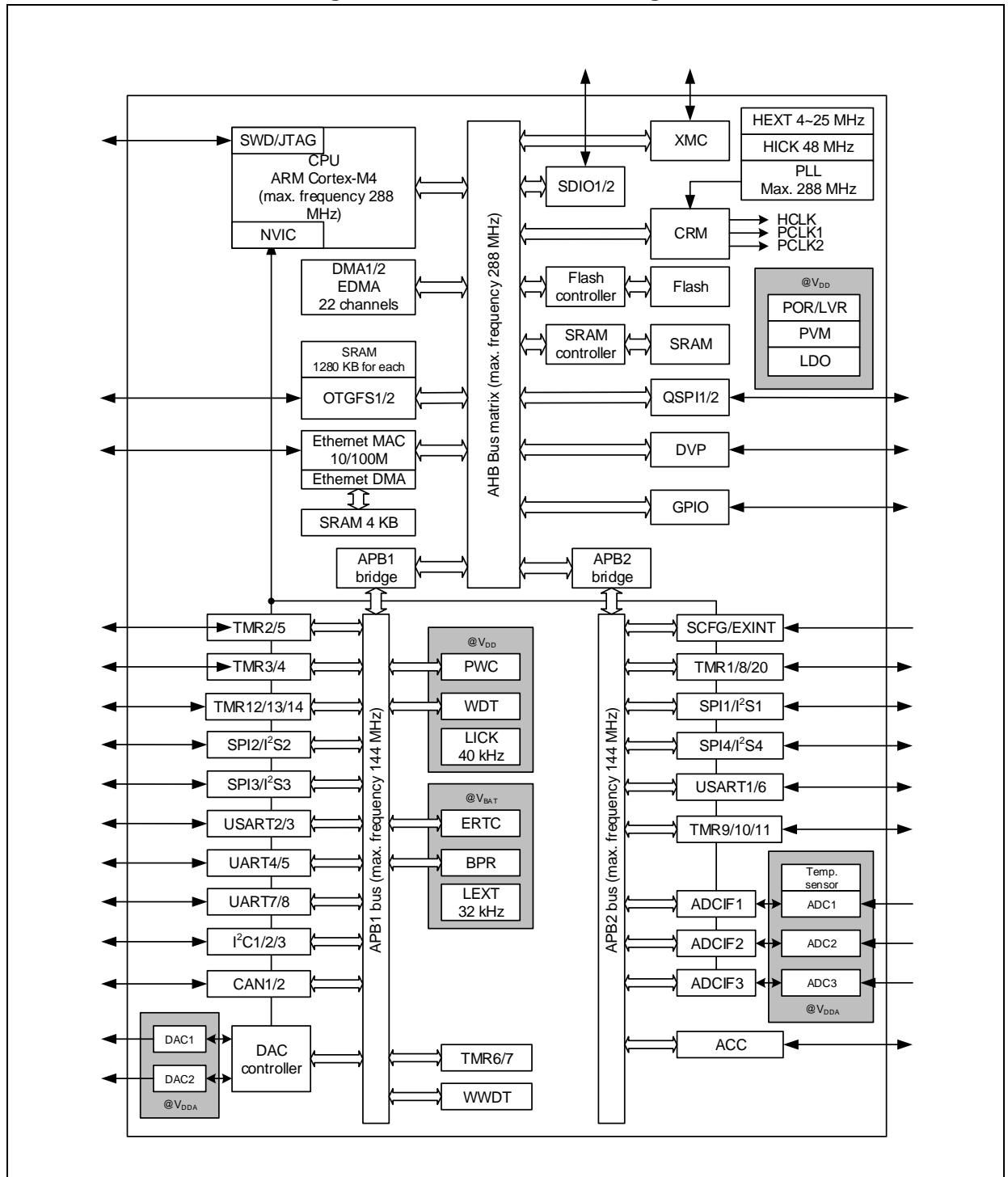
2 Functionality overview

2.1 ARM®Cortex®-M4 with FPU

The ARM Cortex®-M4 processor is the latest generation of ARM processors for embedded systems. It is a 32-bit RISC processor features exceptional code efficiency, outstanding computational performance and advanced response to interrupts. The processor supports a set of DSP instructions which enable efficient signal processing and complex algorithm execution. Its single precision FPU (floating point unit) speeds up floating point calculation while avoiding saturation.

Figure 1 shows the general block diagram of the AT32F435/437.

Figure 1. AT32F435/437 block diagram



2.2 Memory

2.2.1 Internal Flash memory

Up to 4032 Kbytes of embedded Flash is available for storing programs and data. User can configure any part of the embedded Flash memory protected by the sLib, functioning as a security area with code-executable only but non-readable. “sLib” is a mechanism that protects the intelligence of solution vendors and facilitates the second-level development by customers. After the register bit NZW_BST is enabled, the overall NZW area code execution performance can be improved, but the maximum clock frequency of AHB is lower than that when it is disabled. Please refer to [Table 15](#) when using it.

There is another 18-KByte boot memory in which the bootloader is stored.

A User System Data block is included, which is used as configuration of the hardware behaviors such as read/erase/write protection and watchdog self-enable. User System Data allows to set erase/write and read protection individually, with the latter supporting low-level and high-level protection.

2.2.2 Memory protection unit (MPU)

The memory protection unit (MPU) is used to manage the CPU accesses to memory to prevent one task to accidentally corrupt the memory or resources used by any other active task. This memory area consists of up to 8 protected areas that can in turn be divided up into 8 subareas. The protection area sizes are between 32 bytes and the whole 4 gigabytes of addressable memory. The MPU is especially suited to the applications where some critical or certified code has to be protected against the misbehavior of other tasks. It is usually managed by an RTOS (real-time operating system).

2.2.3 Embedded SRAM

384 Kbytes of embedded SRAM by default and configurable maximum 512 Kbytes, accessed (read/write) at CPU clock speed with 0 wait state.

2.2.4 External memory controller (XMC)

The XMC is embedded in the AT32F435/437. It has four Chip Select outputs supporting the following modes: CF card, SRAM, PSRAM, NOR flash, NAND flash, and SDRAM.

Main features:

- 8-bit or 16-bit data bus width
- Read buffer for SDRAM controller
- Write buffer

The XMC can be configured to interface with most graphic LCD controllers. It supports the Intel 8080 and Motorola 6800 modes.

2.2.5 Quad serial peripheral interface (QSPI)

The AT32F435/437 embed two quad serial peripheral interfaces (QSPI). This is a dedicated communication interface which connects single, dual, or quad data lines of SPI flash memory or SPI RAM. It can work in indirect mode (fully accessed by control registers), status polling mode, or

memory mapping mode with up to 256 MBytes mapping of the external SPI flash or RAM. QSPI can be accessed by bytes, half-words, or words, supporting execution-in-place (XIP) operation and fully programmable command and frame format.

2.3 Interrupts

2.3.1 Nested vectored interrupt controller (NVIC)

The AT32F435/437 embed a nested vectored interrupt controller that is able to manage 16 priority levels and handle maskable interrupt channels plus the 16 interrupt lines of the Cortex[®]-M4 with FPU. This hardware block provides flexible interrupt management features with minimal interrupt latency.

2.3.2 External interrupts (EXINT)

The external interrupt (EXINT), which is connected directly with NVIC, consists of 22 edge detector lines used to generate interrupt requests. Each line can be independently configured to select the trigger event (rising edge, falling edge, both) and can be masked independently. A pending register maintains the status of the interrupt requests. The external interrupt lines connects up to 16 GPIOs.

2.4 Power control (PWC)

2.4.1 Power supply schemes

- $V_{DD} = 2.6 \sim 3.6$ V: used as an external power supply for GPIOs and the internal block such as regulator (LDO) through V_{DD} pins.
- $V_{DDA} = 2.6 \sim 3.6$ V: used as an external analog power supply for ADC and DAC. V_{DDA} and V_{SSA} must be the same voltage potential as V_{DD} and V_{SS} , respectively.
- $V_{BAT} = 1.62 \sim 3.6$ V: V_{BAT} pin can supply V_{BAT} domain from the external battery or super capacity, or from V_{DD} without the external battery or super capacity. V_{BAT} (through power switch) supplies for ERTC, external crystal 32 kHz (LEXT), and battery powered registers (BPR) when V_{DD} is not present.

2.4.2 Reset and power voltage monitoring (POR / LVR / PVM)

The device has an integrated power-on reset (POR)/low voltage reset (PDR) circuitry. It is always active, and allows proper operation starting from/down to 2.6 V. The device remains in reset mode when V_{DD} goes below a specified threshold (V_{LVR}) without the need for an external reset circuit.

The device embeds a power voltage monitor (PVM) that monitors the V_{DD} power supply and compares it to the V_{PVM} threshold. An interrupt can be generated when V_{DD} drops below the V_{PVM} threshold and/or when V_{DD} rises above the V_{PVM} threshold. The PVM is enabled by software.

2.4.3 Voltage regulator (LDO)

The LDO has three operating modes: normal, low-power, and power down.

- Normal mode is used in Run/Sleep mode and in the Deepsleep mode;
- Low-power mode can be used in the Deepsleep mode;
- Power down mode is used in Standby mode: The regulator output is in high impedance and the kernel circuitry is powered down but the contents of the registers and SRAM are lost.

This LDO operates always in its normal mode after reset.

The LDO has the ability to adjust its output voltage. Besides 1.2V by default, it supports 1.3/1.1/1.0V adjusted by software so as to enable flexibility between performance and power consumption. Note that different LDO voltages have limitation about the maximum frequency of the AHB clock. Please check [Table 15](#), and follow steps specified in the AT32F435/437 reference manual to switch LDO voltage and set the system clock.

2.4.4 Low-power modes

The AT32F435/437 supports three low-power modes:

- **Sleep mode**

In Sleep mode, only the CPU is stopped. All peripherals continue to operate and can wake up the CPU when an interrupt/event occurs.

- **Deepsleep mode**

Deepsleep mode achieves the lowest power consumption while retaining the content of SRAM and registers. All clocks in the LDO power domain are stopped, disabling the PLL, the HICK clock, and the HEXT crystal. The voltage regulator can also be put in normal or low-power mode, with output voltage being adjustable.

The device can be woken up from Deepsleep mode by any of the EXINT line. The EXINT line source can be one of the 16 external lines, the PVM output, an ERTC alarm/wakeup/tamper/time stamp event, and the OTGFS or the Ethernet MAC wakeup.

- **Standby mode**

The Standby mode is used to acquire the lowest power consumption. The internal voltage regulator is switched off so that the entire LDO power domain is powered off. The PLL, HICK clock and HEXT crystal are also switched off. After entering Standby mode, SRAM and register contents are lost except for the ERTC register, registers in the BPR domain, and Standby circuitry.

The device exits Standby mode when an external reset (NRST pin), a WDT reset, a rising edge on the WKUPx pin, or an ERTC alarm/wakeup/tamper/time stamp occurs.

Note: The ERTC and the corresponding clock sources are not stopped by entering Deepsleep or Standby mode. WDT depends on the User System Data setting.

2.5 Boot modes

At startup, boot pins are used to select one of three boot options:

- Boot from internal Flash memory. For the AT32F435/437xG/xM, user has an option to boot from any of two memory banks. By default, boot from Flash memory bank 1 is selected. User can choose to boot from Flash memory bank 2 by setting a bit in the User System Data area.
- Boot from boot memory.
- Boot from embedded SRAM.

The bootloader is stored in boot memory. It is used to reprogram the Flash memory through USART1, USART2, USART3, OTGFS1, or OTGFS2 (OTGFS1 and OTGFS2 supports crystal-less). [Table 5](#) provides the supporting interfaces of the Bootloader regarding AT32F435/437 part numbers and pin configurations.

Table 5. Bootloader supporting part numbers and pin configurations

Interface	Part number	Pin
USART1	All part numbers	PA9: USART1_TX PA10: USART1_RX
USART2	AT32F435ZxT7, AT32F435VxT7 AT32F437ZxT7, AT32F437VxT7	PD5: USART2_TX PD6: USART2_RX
	Other part numbers	PA2: USART2_TX PA3: USART2_RX
USART3	AT32F435ZxT7, AT32F435VxT7, AT32F435RxT7 AT32F437ZxT7, AT32F437VxT7, AT32F437RxT7	PC10: USART3_TX PC11: USART3_RX or PB10: USART3_TX ⁽¹⁾ PB11: USART3_RX ⁽¹⁾
	Other part numbers	PB10: USART3_TX PB11: USART3_RX
OTGFS1	All part numbers	PA11: OTGFS1_D- PA12: OTGFS1_D+
OTGFS2	All part numbers	PB14: OTGFS2_D- PB15: OTGFS2_D+

(1) Silicon version B.

2.6 Clocks

The internal 48 MHz clock (HICK) through a divided-by-6 divider (8 MHz) is selected as the default CPU clock after any reset. An external 4 to 25 MHz clock (HEXT) can be selected, in which case it is monitored for failure. If a failure is detected, HEXT will be switched off and the system automatically switches back to the internal HICK. A software interrupt is generated. Similarly, the system take the same action once HEXT fails when it is used as the source of PLL.

Several prescalers are used for the configuration of the AHB and the APB (APB1 and APB2) frequency. The maximum frequency of the AHB domain is 288 MHz. The maximum allowed frequency of the APB domain is 144 MHz.

The AT32F435/437 embeds an automatic clock calibration (ACC) block, which calibrates the internal 48 MHz HICK clock, assuring the most precise accuracy of the HICK in the full range of the operating temperatures.

2.7 General-purpose inputs / outputs (GPIO)

Each of the GPIO pins can be configured by software as output (push-pull or open-drain with or without pull-up or pull-down), as input (floating with or without pull-up or pull-down), or as multiple function. Most of the GPIO pins are shared with digital or analog multiple functions. All GPIOs are high current-capable.

The GPIO configuration can be locked, if needed, in order to avoid false writing to the GPIO registers by following a specific sequence.

2.8 Direct Memory Access Controller (DMA)

AT32F435/437 have two general-purpose DMAs (DMA1 and DMA2) plus one enhanced EDMA, 22 channels in total. They are able to manage memory-to-memory, peripheral-to-memory, and memory-to-peripheral transfers. They also have dedicated buffers for APB/AHB peripherals and support burst transmission, which provides the maximum bandwidth for peripherals.

DMA/EDMA controllers support circular buffer management, removing the need for special code intervention when the controller reaches the end of the buffer. Besides, EDMA controller has double buffers, which allows the automatic use and switch between two memory buffers without the need for special code intervention.

Each channel is connected to dedicated hardware DMA/EDMA requests, with support for software trigger on each channel. Configuration is made by software and transfer sizes between source and destination are independent.

The DMA/EDMA can be used with the main peripherals: SPI and I²S, I²C, USART, advanced/general-purpose/basic timers TMRx, DAC, SDIO, ADC, DVP and QSPI.

2.9 Timers (TMR)

The AT32F435/437 devices include up to 3 advanced timers, up to 10 general-purpose timers, 2 basic timers and a SysTick timer.

The table below compares the features of the advanced, general-purpose, and basic timers.

Table 6. Timer feature comparison

Type	Timer	Counter resolution	Counter type	Prescaler factor	DMA request generation	Capture/compare channels	Complementary outputs	
Advanced	TMR1 TMR8 TMR20	16-bit	Up, down, up/down	Any integer between 1 and 65536	Yes	4	3	
	General-purpose	TMR2 TMR5	16-bit or 32-bit	Up, down, up/down	Any integer between 1 and 65536	Yes	4	No
		TMR3 TMR4	16-bit	Up, down, up/down	Any integer between 1 and 65536	Yes	4	No
General-purpose	TMR9 TMR12	16-bit	Up	Any integer between 1 and 65536	No	2	No	
	TMR10 TMR11 TMR13 TMR14	16-bit	Up	Any integer between 1 and 65536	No	1	No	
	Basic	TMR6 TMR7	16-bit	Up	Any integer between 1 and 65536	Yes	No	No

2.9.1 Advanced timers (TMR1, TMR8 and TMR20)

The three advanced timers (TMR1, TMR8, and TMR20) can each be seen as a three-phase PWM multiplexed on 6 channels. They have complementary PWM outputs with programmable inserted dead-times. Each of these timers can also be seen as a complete general-purpose timer. The 4 independent channels can be used for:

- Input capture
- Output compare
- PWM generation (edge or center-aligned modes)
- One-cycle mode output

If configured as a standard 16-bit timer, it has the same features as the TMRx timer. If configured as the 16-bit PWM generator, it has full modulation capability (0 to 100%).

In debug mode, the advanced timer counter can be frozen and the PWM outputs disabled to turn off any power switch driven by these outputs.

Many features are shared with those of the general-purpose TMR which have the same architecture. The advanced timer can therefore work together with the TMR timers via the link feature for synchronization or event chaining.

2.9.2 General-purpose timers (TMR2~5 and TMR9~14)

There are 10 synchronizable general-purpose timers embedded in the AT32F435/437.

- **TMR2, TMR3, TMR4 and TMR5**

The AT32F435/437 has 4 full-featured general-purpose timers: TMR2, TMR3, TMR4 and TMR5. The TMR2 and TMR5 timers are based on a 32-bit auto-reload upcounter/downcounter and a 16-bit prescaler. The TMR3 and TMR4 timers are based on a 16-bit auto-reload upcounter/downcounter and a 16-bit prescaler. They can offer four independent channels on the largest packages. Each channel can be used for input capture/output compare, PWM or one-cycle mode outputs.

These general-purpose timers can work together, or with the other general-purpose timers and the advanced timers via the link feature for synchronization or event chaining. In debug mode, their counter can be frozen. Any of these general-purpose timers can be used to generate PWM outputs. Each timer has individual DMA request.

These timers are capable of handling incremental quadrature encoder signals and the digital outputs coming from 1 to 3 hall-effect sensors.

- **TMR9 and TMR12**

TMR9 and TMR12 are based on a 16-bit auto-reload upcounter, a 16-bit prescaler, and two independent channels for input capture/output compare, PWM, or one-cycle mode output. They can be synchronized with the TMR2, TMR3, TMR4, and TMR5 full-featured general-purpose timers. They can also be used as simple time bases.

- **TMR10, TMR11, TMR13 and TMR14**

These timers are based on a 16-bit auto-reload upcounter, a 16-bit prescaler, and one independent channels for input capture/output compare, PWM, or one-cycle mode output. They can be synchronized with the TMR2, TMR3, TMR4 and TMR5 full-featured general-purpose timers. They can also be used as simple time bases.

2.9.3 Basic timers (TMR6 and TMR7)

These two timers are mainly used for DAC trigger generation. Each of them can also be used as a generic 16-bit time base.

2.9.4 SysTick timer

This timer is dedicated to real-time operating systems, but could also be used as a standard down counter. Its features include:

- A 24-bit down counter
- Auto reload capability
- Maskable system interrupt generation when the counter reaches 0
- Programmable clock source (HCLK or HCLK/8)

2.10 Watchdog (WDT)

The watchdog consists of a 12-bit downcounter and 8-bit prescaler. It is clocked by an independent internal LICK clock. As it operates independently from the main clock, it can operate in DeepSleep and Standby modes. It can be used either as a watchdog to reset the device when an error occurs, or as a free running timer for application timeout management. It is self-enabling or not configurable through the User System Data. The counter can be frozen in debug mode.

2.11 Window watchdog (WWDT)

The window watchdog embeds a 7-bit downcounter that can be set as free running. It can be used as a watchdog to reset the device when an error occurs. It is clocked by the main clock. It has an early warning interrupt capability and the counter can be frozen in debug mode.

2.12 Enhanced real-time clock (ERTC) and battery powered registers (BPR)

The battery powered domain includes:

- Enhanced real-time clock (ERTC)
- Twenty 32-bit battery powered registers

The enhanced real-time clock (ERTC) is an independent BCD timer/counter. It supports the following features:

- Calendar with second, minute, hour (12 or 24 format), week day, date, month, year, in BCD (binary-coded decimal) format.
- The sub-seconds value is also available in binary format.
- Automatic correction for 28, 29 (leap year), 30, and 31 days of the month.
- Programmable alarms and periodic wakeup from DeepSleep or Standby mode

- To compensate quartz crystal inaccuracy, ERTC can be calibrated via a 512 Hz external output

Two alarm registers are used to generate an alarm at a specific time whereas the calendar fields can be independently masked for alarm comparison. To generate a periodic interrupt, a 16-bit programmable binary auto-reload downcounter with programmable resolution is available and allows automatic wakeup and periodic alarms from every 120 μ s to every 36 hours. Other 32-bit registers also feature programmable sub-second, second, minute, hour, week day and date.

The prescaler is used as a time base clock. It is by default configured to generate a time base of 1 second from a clock at 32.768 kHz.

The battery powered registers (BPR) are 32-bit registers used to store 80 bytes of user application data. Battery powered registers are not reset by a system or power reset, or when the device is woken up from the Standby mode

ERTC and BPR are powered through a power switch. When V_{DD} exists, the switch selects V_{DD} as power supply, or V_{BAT} is used as supply source.

2.13 Communication interfaces

2.13.1 Serial peripheral interface (SPI)

There are up to four SPIs able to communicate at up to 36 Mbits/s in slave and master modes in full-duplex and simplex communication modes. The prescaler generates several master mode frequencies and the frame is configurable to 8 bits or 16 bits. The hardware CRC generation/verification supports basic SD card/MMC/SDHC modes. All SPIs can be served by the DMA controller.

The SPI interface can be configured to operate in TI mode for communications in master and slave modes.

2.13.2 Inter-integrated sound interface (I²S)

Four standard I²S interfaces (multiplexed with SPI) are available, which can be operated in master or slave mode in half-duplex mode. These interfaces can be configured to operate with 16/24/32 bit resolution, as input or output channels. Audio sampling frequencies ranges from 8 kHz up to 192 kHz. When I²S is configured in master mode, the master clock can be output to the external 256 times sampling frequency. All I²Ss can use the DMA controller.

2.13.3 Universal synchronous / asynchronous receiver transmitters (USART)

The AT32F435/437 embeds four universal synchronous/asynchronous receiver transmitters (USART1, USART2, USART3, and USART6) and four universal asynchronous receiver transmitters (UART4, UART5, UART7, and UART8).

These eight interfaces provide asynchronous communication, IrDA SIR ENDEC support, multiprocessor communication mode, single-wire half-duplex communication mode, and have LIN Master/Slave capability. These eight interfaces are able to communicate at a speeds of up to 9 Mbit/s.

USART1, USART2, USART3, and USART6 provide hardware management of the CTS and RTS signals. They also provide Smart Card mode (ISO 7816 compliant) and SPI-like communication

capability. All interfaces can be served by the DMA controller.

Table 7. USART/UART feature comparison

USART/UART feature	USART1	USART2	USART3	UART4	UART5	USART6	UART7	UART8
Hardware flow control for modem	Yes	Yes	Yes	-	-	Yes	-	-
Continuous communication using DMA	Yes	Yes	Yes	Yes	Yes	Yes	Yes	Yes
Multiprocessor communication	Yes	Yes	Yes	Yes	Yes	Yes	Yes	Yes
Synchronous mode	Yes	Yes	Yes	-	-	Yes	-	-
Smartcard mode	Yes	Yes	Yes	-	-	Yes	-	-
Single-wire half-duplex communication	Yes	Yes	Yes	Yes	Yes	Yes	Yes	Yes
IrDA SIR ENDEC block	Yes	Yes	Yes	Yes	Yes	Yes	Yes	Yes
LIN mode	Yes	Yes	Yes	Yes	Yes	Yes	Yes	Yes
TX/RX swap	Yes	Yes	Yes	Yes	Yes	Yes	Yes	Yes
RS-485 driver enable	Yes	Yes	Yes	-	-	Yes	-	-

2.13.4 Inter-integrated-circuit interface (I²C)

Up to three I²C bus interfaces can operate in multi-master and slave modes. They support standard mode (max. 100 kHz), fast mode (max. 400 kHz), and fast mode plus (max. 1 MHz). Several GPIOs provide ultra-high sink current 20 mA.

They support 7/10-bit addressing mode and 7-bit dual addressing mode (as slave). A hardware CRC generation/verification is included.

They can be served by DMA and they support SMBus 2.0/PMBus.

2.13.5 Secure digital input / output interface (SDIO)

Two SD/SDIO/MMC host interfaces are available, supporting MultiMediaCard System Specification Version 4.2 in three different data bus modes: 1-bit (default), 4-bit and 8-bit. The interface allows data transfer at up to 48 MHz in 8-bit mode, and is compliant with SD Memory Card Specifications Version 2.0.

The two different data bus modes supported in the SDIO Card Specification Version 2.0 are: 1-bit (default) and 4-bit.

The current version supports only one SD/SDIO/MMC4.2 card at any one time and a series of MMC4.1 or previous.

Apart from SD/SDIO/MMC/eMMC, this interface is fully compliant with the CE-ATA digital protocol Rev1.1.

2.13.6 Controller area network (CAN)

Two CANs are compliant with specifications 2.0A and B (active) with a bit rate up to 1 Mbit/s. It can receive and transmit standard frames with 11-bit identifiers as well as extended frames with 29-bit identifiers. Each CAN has three transmit mailboxes, two receive FIFOs with 3 stages, and 28 scalable filter banks. Each also has dedicated 368 Bytes of SRAM, which is not shared with the other CAN or any other peripherals.

To guarantee transmission, according to the clock accuracy requirements in CAN 2.0, the CAN

clock source should be the PLL clocked by HEXT.

2.13.7 Universal serial bus On-The-Go full-speed (OTGFS)

The AT32F435/437 embed two OTG full-speed (12 Mb/s) modules that consists of PHY and can be set as a device/host. The OTGFS has software-configurable endpoint setting and supports suspend/resume. The OTGFS module requires a dedicated 48 MHz clock. When the OTGFS acts as a host, its clock source should be PLL clocked by HEXT; in device mode, tis clock source can be selected as 48 MHz HICK.

Each OTGFS has the major features such as:

- 1280 Kbytes of buffer used exclusively by the endpoints (not shared with the other OTGFS or any other peripherals)
- 8 IN + 8 OUT endpoints (endpoint 0 included, device mode)
- 16 channels (host mode)
- SOF output and OE output
- In accordance with the USB 2.0 Specification, the supported transfer speeds are:
 - In Host mode: full-speed and low speed
 - In Device mode: full-speed

2.13.8 Infrared transmitter (IRTMR)

The AT32F435/437 device provides an infrared transmitter solution. The solution is based on the internal connection between TMR10, USART1, or USART2 with TMR11. TMR11 is used to provide the carrier frequency, and TMR10, USART1, or USART2 provides the main signal to be sent. The infrared output signal is available on PB9 or PA13.

To generate infrared remote control signals, TMR10 channel 1 and TMR11 channel 1 must be correctly configured to generate the correct waveform. All standard IR pulse modulation modes can be obtained by programming two timer output compare channels.

2.13.9 Ethernet MAC interface (EMAC)

This peripheral is available only on AT32F437.

The AT32F437 devices provide an IEEE-802.3-2002-compliant media access controller (MAC) for Ethernet LAN communications through an industry-standard media-independent interface (MII) or a reduced media-independent interface (RMII). The AT32F437 requires an external physical interface device (PHY) to connect to the physical LAN bus (twisted-pair, fiber, etc.). The PHY is connected to the AT32F437 MAC port using as many as 17 signals (MII) or 9 signals (RMII) and can be clocked by means of the 25 MHz (MII) or 50 MHz (RMII) output from the AT32F437.

The EMAC has the following features:

- Supports 10 M and 100 Mbit/s rates
- Dedicated DMA controller enabling high-speed transfers between the dedicated buffer and the descriptors
- Supports tagged MAC frame (VLAN support)
- Half-duplex (CSMA/CD) and full-duplex operation
- MAC control sublayer (control frames) support
- 32-bit CRC generation and removal
- Several address filtering modes for physical and multicast address (multicast and group addresses)
- 32-bit status code for each transmitted or received frame
- Internal buffer for transmitted and received frames. The transmit buffer and the receive buffer are both 2 Kbytes, that is, 4 Kbytes in total
- Supports hardware PTP (precision time protocol) in line with IEEE 1588 with the timestamp comparator connected to the TMR2 trigger input
- Interrupt trigger when system time becomes greater than the target time

2.14 Digital video parallel interface (DVP)

AT32F435/437 embed a digital video parallel interface (DVP), which connects to a digital camera module and receives video data via an 8- to 14-bit parallel interface. The DVP supports a data rate up to 54 MB/s. It has the following features:

- Configurable polarity of the input pixel clock and synchronous signals
- 8-, 10-, 12- or 14-bit communication data width
- Support 8-bit raster-scan mono or Bayer format, YCbCr 4:2:2 raster-scan, RGB 565 raster-scan, or compressed data (such as JPEG)
- Continuous mode or snapshot (one frame) mode
- Automatic image cropping
- Mono-image binarization

2.15 Cyclic redundancy check (CRC) calculation unit

The CRC (cyclic redundancy check) calculation unit is used to get a CRC code from a 32-bit data word using a fixed generator polynomial. Among other applications, CRC-based techniques are used to verify data transmission or storage integrity.

2.16 Analog-to-digital converter (ADC)

Three 12-bit analog-to-digital converters (ADC) are embedded into AT32F435/437 devices and feature as follows:

- Configurable 12-bit, 10-bit, 8-bit, 6-bit resolution with auto calibration.
- 5.33 MSPS maximum conversion rate in 12-bit resolution, the reduction of resolution shortens the conversion period.
- Share up to 24 external channels, including 6 fast channels.
- Three internal dedicated channels: internal temperature sensor (V_{TS}), internal reference voltage (V_{INTRV}), and V_{BAT} monitor ($V_{BAT/4}$).
- Individual sampling time setting for each channel.
- 2 to 256 times over-sampling, equivalent maximum 16-bit resolution.
- Conversion can be triggered by:
 - Software.
 - Hardware (internal or GPIO input events) with polarity configurability.
- Converting modes:
 - Single mode or sequential mode.
 - In sequential mode, each trigger performs conversions on a selected group of channels.
 - Repeated mode converts selected channels continuously.
 - Partition mode.
- Simultaneous or shift sample and hold under one- or two-slave mode.
- A voltage monitor feature allows very precise monitoring of the converted voltage of one, some or all selected channels. An interrupt is generated when the converted voltage is outside the programmed thresholds.
- All ADCs can be served by the DMA controller.

2.16.1 Temperature sensor (V_{TS})

The temperature sensor generates a voltage V_{TS} that varies linearly with temperature. The temperature sensor is internally connected to the ADC1_IN16 input channel which is used to convert the sensor output voltage into a digital value.

The offset of this line varies from chip to chip due to process variation. The internal temperature sensor is more suited to applications that detect temperature variations instead of absolute temperatures. If accurate temperature readings are needed, an external temperature sensor part should be used.

2.16.2 Internal reference voltage (V_{INTRV})

The internal reference voltage (V_{INTRV}) provides a stable voltage source for ADC. The V_{INTRV} is internally connected to the ADC1_IN17 input channel.

2.16.3 V_{BAT} monitor ($V_{BAT/4}$)

This embedded hardware uses internal ADC1_IN18 channel to measure V_{BAT} voltage. As the V_{BAT} voltage may be higher than V_{REF+} or V_{DDA} to be outside the ADC input range, the V_{BAT} is internally connected to a divided-by-4 bridge. The converted value is 1/4 of the V_{BAT} voltage.

2.17 Digital-to-analog converter (DAC)

The two 12-bit buffered DACs can be used to convert two digital signals into two analog voltage signal outputs.

This DAC has the following features:

- Two DAC converters: one for each output channel
- 8-bit or 12-bit monotonic output
- Left- or right-aligned data in 12-bit mode
- Synchronized update capability
- Noise-wave generation
- Triangular-wave generation
- Dual DAC channel independent or simultaneous conversions
- DMA capability for each DAC channel
- External triggers for conversion
- Input voltage reference V_{REF+}

Several DAC trigger inputs are used in the AT32F435/437. DAC outputs are triggered through the timer update outputs that are also connected to different DMA channels.

2.18 Serial wire (SWD) / JTAG debug port

The ARM SWJ-DP Interface is embedded, and it is a combined serial wire and JTAG and debug port that enables either a serial wire debug or a JTAG probe to be connected to the target for programming and debug operation. The JTAG TMS and TCK pins are shared respectively with SWDIO and SWCLK.

3 Pin functional definitions

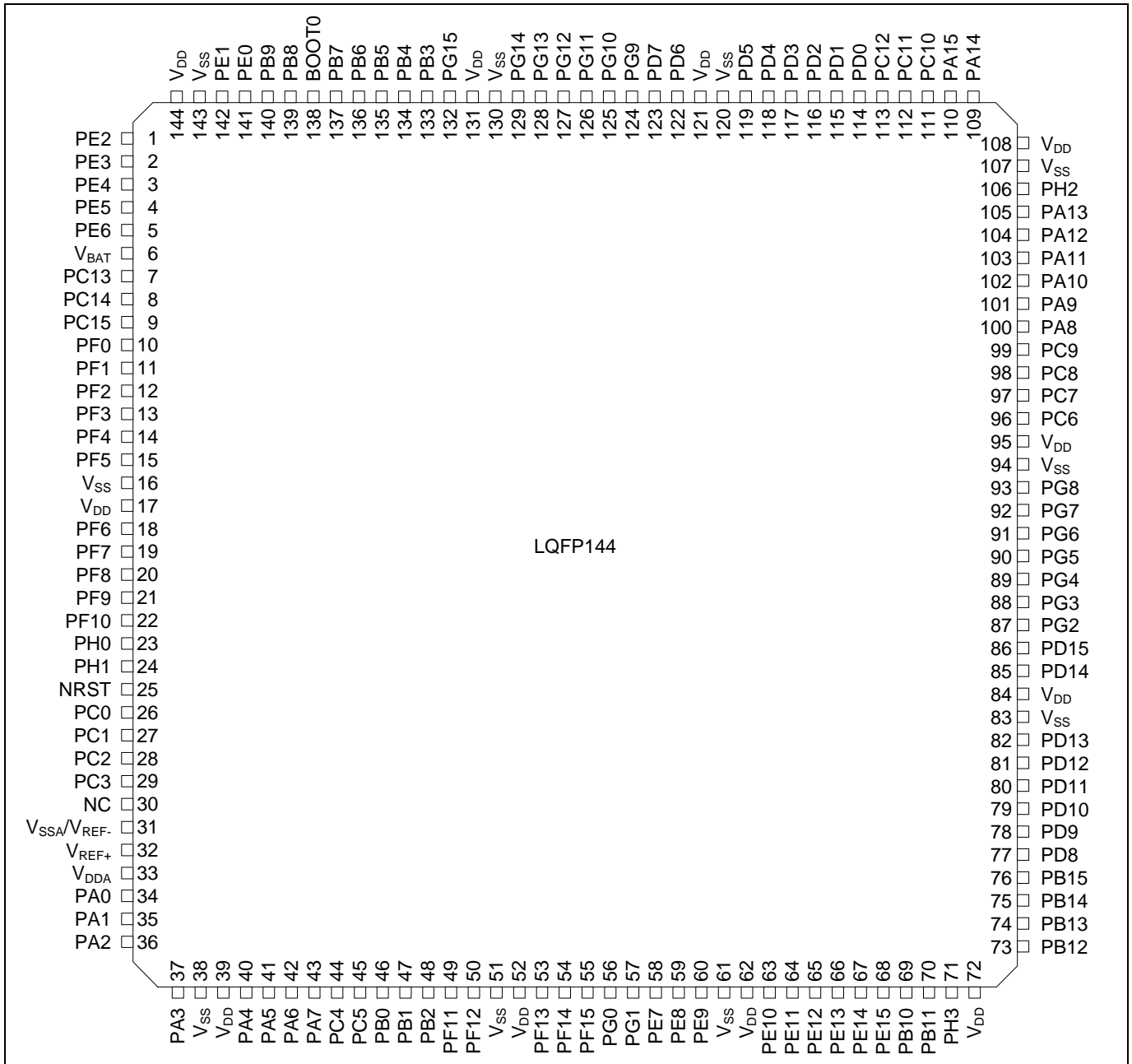
Figure 2. AT32F435/437 LQFP144 pinout


Figure 3. AT32F435/437 LQFP100 pinout

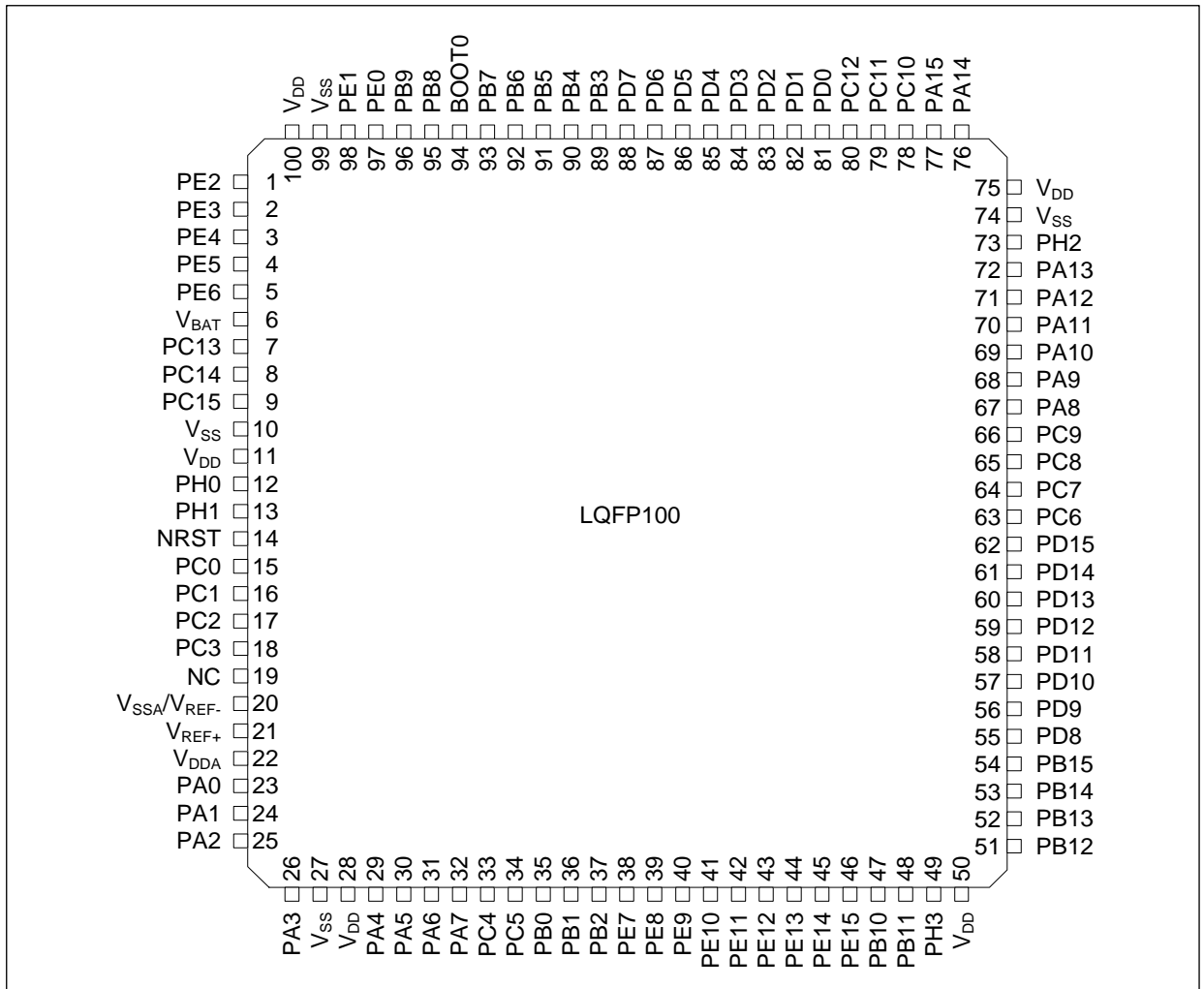


Figure 4. AT32F435/437 LQFP64 pinout

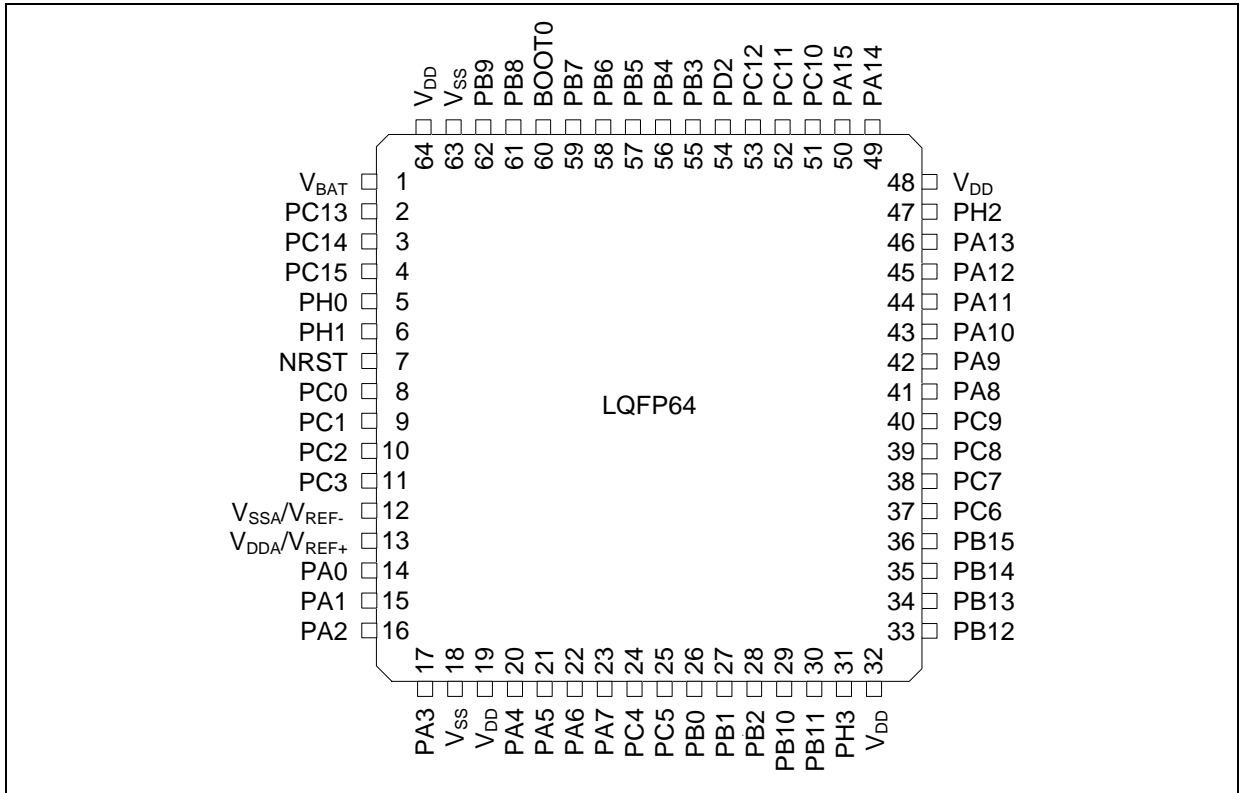


Figure 5. AT32F435 LQFP48 pinout

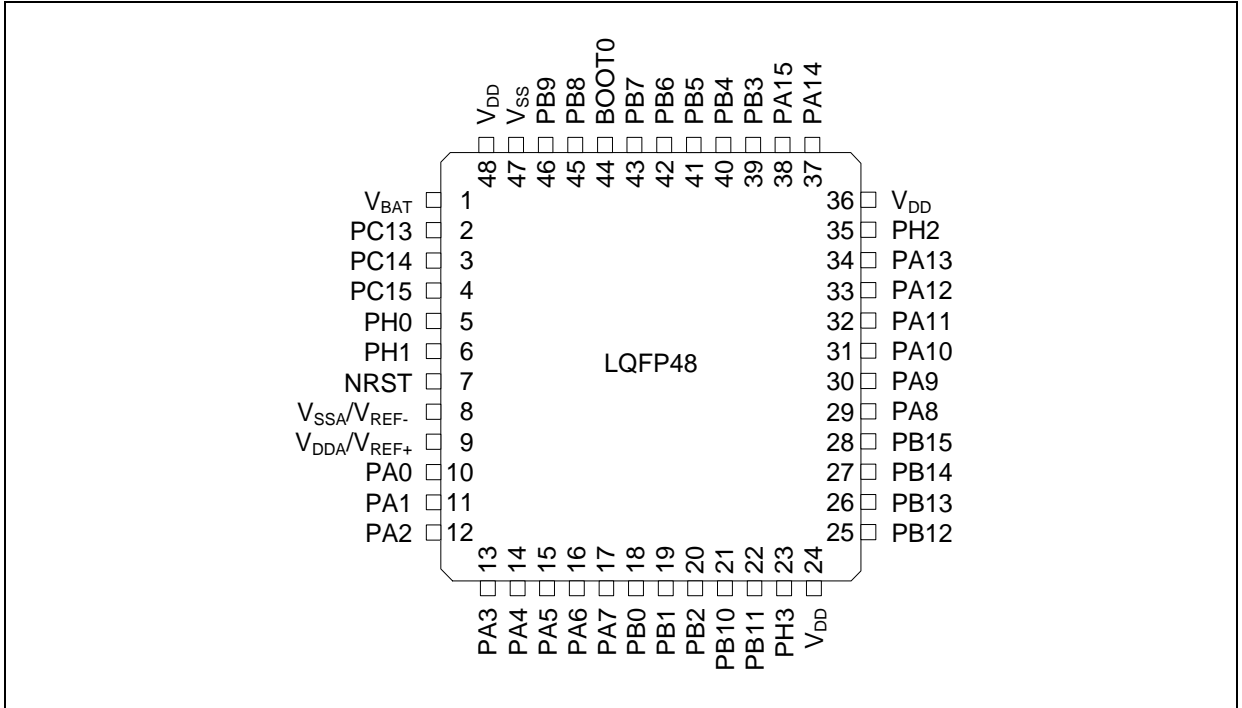
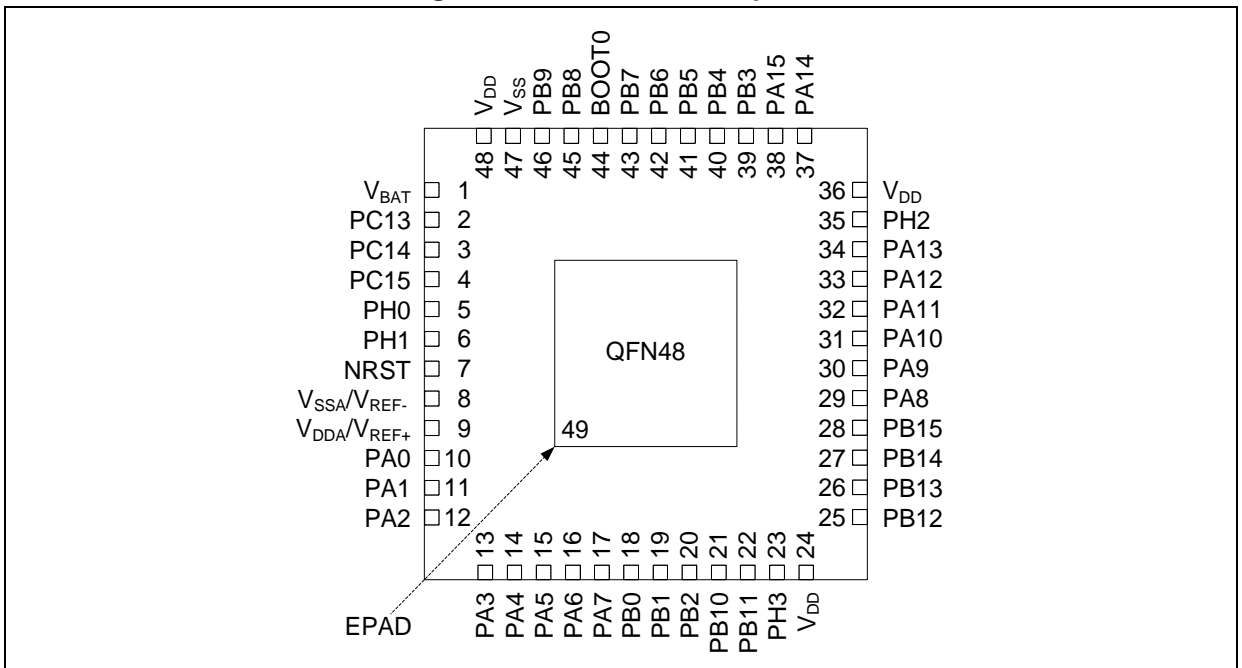


Figure 6. AT32F435 QFN48 pinout



The table below is the pin definition of the AT32F435/437. “-” represents there is no such pinout on the related packages. Unless descriptions in () under pin name, the function during reset and after reset is the same as the actual pin name. Unless notes presented, all GPIOs are set as input floating during reset and after reset. Pin multi-functions are selected through GPIOx_MUXx registers and the additional functions are directly selected and enabled via registers of peripherals.

Table 8. AT32F435/437 series pin definitions

Pin number				Pin name (function after reset)	Pin type ⁽¹⁾	GPIO structure ⁽²⁾	IOMUX functions ⁽³⁾	Additional function
LQFP48 / QFN48	LQFP64	LQFP100	LQFP144					
-	-	1	1	PE2	I/O	FT	TMR3_EXT / SPI4_SCK / I2S4_CK / TMR20_CH1 / QSPI1_IO2 / XMC_SDNCAS / EMAC_MII_TXD3 / XMC_A23	-
-	-	2	2	PE3	I/O	FT	TMR3_CH1 / TMR20_CH2 / XMC_A19 / DVP_D9	-
-	-	3	3	PE4	I/O	FT	CLKOUT1 / TMR3_CH2 / SPI4_CS / I2S4_WS / TMR20_CH1C / XMC_A20 / DVP_D4	-
-	-	4	4	PE5	I/O	FT	TMR3_CH3 / TMR9_CH1 / SPI4_MISO / TMR20_CH2C / XMC_A21 / DVP_D6	-
-	-	5	5	PE6	I/O	FT	TMR3_CH4 / TMR9_CH2 / SPI4_MOSI / I2S4_SD / TMR20_CH3C / XMC_SDNRAS / XMC_A22 / DVP_D7	-
1	1	6	6	V _{BAT}	S	-	Battery power supply	
2	2	7	7	PC13 ⁽⁴⁾⁽⁵⁾	I/O	FT	-	ERTC_AF1 / WKUP2
3	3	8	8	PC14 / LEXT_IN (PC14) ⁽⁴⁾⁽⁵⁾	I/O	TC	-	LEXT_IN
4	4	9	9	PC15 / LEXT_OUT (PC15) ⁽⁴⁾⁽⁵⁾	I/O	TC	-	LEXT_OUT
-	-	-	10	PF0	I/O	FT	I2C2_SDA / XMC_A0	-
-	-	-	11	PF1	I/O	FT	I2C2_SCL / XMC_A1	-
-	-	-	12	PF2	I/O	FT	TMR20_CH3 / I2C2_SMBA / XMC_A2	-
-	-	-	13	PF3	I/O	FTa	TMR20_CH4 / XMC_A3	ADC3_IN9
-	-	-	14	PF4	I/O	FTa	TMR20_CH1C / XMC_A4	ADC3_IN14
-	-	-	15	PF5	I/O	FTa	TMR20_CH2C / XMC_A5	ADC3_IN15
-	-	10	16	V _{SS}	S	-	Digital ground	
-	-	11	17	V _{DD}	S	-	Digital power supply	
-	-	-	18	PF6	I/O	FTa	TMR10_CH1 / TMR20_CH4 / UART7_RX / QSPI1_IO3 / XMC_NIORD	ADC3_IN4
-	-	-	19	PF7	I/O	FTa	TMR11_CH1 / TMR20_BRK / UART7_TX / QSPI1_IO2 / XMC_NREG	ADC3_IN5
-	-	-	20	PF8	I/O	FTa	TMR13_CH1 / QSPI1_IO0 / XMC_NIOWR	ADC3_IN6
-	-	-	21	PF9	I/O	FTa	TMR14_CH1 / TMR20_BRK / QSPI1_IO1 / XMC_CD	ADC3_IN7
-	-	-	22	PF10	I/O	FTa	TMR1_EXT / TMR5_CH4 / QSPI1_SCK / XMC_INTR / DVP_D11	ADC3_IN8

Pin number				Pin name (function after reset)	Pin type ⁽¹⁾	GPIO structure ⁽²⁾	IOMUX functions ⁽³⁾	Additional function	
LQFP48 / QFN48	LQFP64	LQFP100	LQFP144						
5	5	12	23	PH0 / HEXT_IN (PH0)	I/O	TC	I2C1_SDA	HEXT_IN	
6	6	13	24	PH1 / HEXT_OUT (PH1)	I/O	TC	I2C1_SCL	HEXT_OUT	
7	7	14	25	NRST	I/O	R	Device reset input / internal reset output (active low)		
-	8	15	26	PC0	I/O	FTa	I2C3_SCL / UART7_TX / SDIO2_D0 / XMC_SDNWE	ADC123_IN10 ⁽⁶⁾	
-	9	16	27	PC1	I/O	FTa	I2C3_SDA / SPI3_MOSI / I2S3_SD / SPI2_MOSI / I2S2_SD / UART7_RX / SDIO2_D1 / EMAC_MDC	ADC123_IN11 ⁽⁶⁾	
-	10	17	28	PC2	I/O	FTa	TMR20_CH2 / SPI2_MISO / I2S2_SDEXT / UART8_TX / SDIO2_D2 / EMAC_MII_TXD2 / XMC_SDCS0 / XMC_NWE	ADC123_IN12 ⁽⁶⁾	
-	11	18	29	PC3	I/O	FTa	SPI2_MOSI / I2S2_SD / UART8_RX / QSPI2_IO1 / SDIO2_D3 / EMAC_MII_TX_CLK / XMC_SDCKE0 / XMC_A0	ADC123_IN13 ⁽⁶⁾	
-	-	19	30	Not connected					
8	12	20	31	V _{SSA} / V _{REF-}	S	-	Analog ground / negative reference voltage		
-	-	21	32	V _{REF+}	S	-	Positive reference voltage		
-	-	22	33	V _{DDA}	S	-	Analog power supply		
9	13	-	-	V _{DDA} / V _{REF+}	S	-	Analog power supply / positive reference voltage		
10	14	23	34	PA0	I/O	FTa	TMR2_CH1 / TMR2_EXT / TMR5_CH1 / TMR8_EXT / I2C2_SCL / USART2_CTS / UART4_TX / EMAC_MII_CRS	ADC123_IN0 ⁽⁶⁾ / ERTC_AF2 / WKUP1	
11	15	24	35	PA1	I/O	FTa	TMR2_CH2 / TMR5_CH2 / I2C2_SDA / SPI4_MOSI / I2S4_SD / USART2_RTS_DE / UART4_RX / QSPI1_IO3 / EMAC_MII_RX_CLK / EMAC_RMII_REF_CLK	ADC123_IN1 ⁽⁶⁾	
12	16	25	36	PA2	I/O	FTa	TMR2_CH3 / TMR5_CH3 / TMR9_CH1 / USART2_TX / SDIO2_CK / EMAC_MDIO / XMC_D4	ADC123_IN2	
13	17	26	37	PA3	I/O	FTa	TMR2_CH4 / TMR5_CH4 / TMR9_CH2 / I2S2_MCK / USART2_RX / QSPI2_IO3 / SDIO2_CMD / EMAC_MII_COL / XMC_D5	ADC123_IN3	
-	18	27	38	V _{SS}	S	-	Digital ground		
-	19	28	39	V _{DD}	S	-	Digital power supply		
14	20	29	40	PA4	I/O	FTa	SPI1_CS / I2S1_WS / SPI3_CS / I2S3_WS / USART2_CK / USART6_TX / SDIO2_D4 / SDIO2_D0 / OTGFS2_SOF / DVP_HSYNC / XMC_D6	ADC12_IN4 / DAC1_OUT	
15	21	30	41	PA5	I/O	FTa	TMR2_CH1 / TMR2_EXT / TMR8_CH1C / SPI1_SCK / I2S1_CK / USART6_RX / QSPI2_IO2 / SDIO2_D5 / SDIO2_D1 / XMC_D7	ADC12_IN5 / DAC2_OUT	

Pin number				Pin name (function after reset)	Pin type ⁽¹⁾	GPIO structure ⁽²⁾	IOMUX functions ⁽³⁾	Additional function
LQFP48 / QFN48	LQFP64	LQFP100	LQFP144					
16	22	31	42	PA6	I/O	FTa	TMR1_BRK / TMR3_CH1 / TMR8_BRK / SPI1_MISO / I2S2_MCK / USART3_CTS / TMR13_CH1 / QSPI1_IO0 / SDIO2_D2 / SDIO1_CMD / DVP_PCLK / SDIO2_D6	ADC12_IN6
17	23	32	43	PA7	I/O	FTa	TMR1_CH1C / TMR3_CH2 / TMR8_CH1C / SPI1_MOSI / I2S1_SD / TMR14_CH1 / QSPI1_IO1 / EMAC_MII_RX_DV / EMAC_RMII_CRS_DV / XMC_SDNWE / SDIO2_D3 / SDIO2_D7	ADC12_IN7
-	24	33	44	PC4	I/O	FTa	TMR9_CH1 / I2S1_MCK / USART3_TX / QSPI1_IO2 / EMAC_MII_RXD0 / EMAC_RMII_RXD0 / XMC_SDCS0 / SDIO2_CK / XMC_NE4	ADC12_IN14
-	25	34	45	PC5	I/O	FTa	TMR9_CH2 / I2C1_SMBA / USART3_RX / QSPI1_IO3 / EMAC_MII_RXD1 / EMAC_RMII_RXD1 / XMC_SDCKE0 / SDIO2_CMD / XMC_NOE	ADC12_IN15
18	26	35	46	PB0	I/O	FTa	TMR1_CH2C / TMR3_CH3 / TMR8_CH2C / I2S1_MCK / USART2_RX / SPI3_MOSI / I2S3_SD / USART3_CK / QSPI2_IO0 / QSPI1_IO0 / EMAC_MII_RXD2 / SDIO1_D1	ADC12_IN8
19	27	36	47	PB1	I/O	FTa	TMR1_CH3C / TMR3_CH4 / TMR8_CH3C / SPI2_SCK / I2S2_CK / USART3_RTS_DE / QSPI1_SCK / QSPI2_SCK / EMAC_MII_RXD3 / SDIO1_D2	ADC12_IN9
20	28	37	48	PB2 / BOOT1 (PB2)	I/O	FT	TMR2_CH4 / TMR20_CH1 / I2C3_SMBA / SPI3_MOSI / I2S3_SD / QSPI1_SCK / SDIO1_CK	-
-	-	-	49	PF11	I/O	FT	TMR20_EXT / TMR8_EXT / XMC_SDNRAS / DVP_D12	-
-	-	-	50	PF12	I/O	FT	TMR20_CH1 / TMR8_BRK / XMC_A6	-
-	-	-	51	V _{SS}	S	-	Digital ground	
-	-	-	52	V _{DD}	S	-	Digital power supply	
-	-	-	53	PF13	I/O	FT	TMR20_CH2 / I2C3_SMBA / XMC_A7	-
-	-	-	54	PF14	I/O	FTf	TMR20_CH3 / I2C3_SCL / XMC_A8	-
-	-	-	55	PF15	I/O	FTf	TMR20_CH4 / I2C3_SDA / XMC_A9	-
-	-	-	56	PG0	I/O	FT	TMR20_CH1C / SPI1_MISO / CAN1_RX / XMC_A10	-
-	-	-	57	PG1	I/O	FT	TMR20_CH2C / SPI1_MOSI / I2S1_SD / CAN1_TX / XMC_A11	-
-	-	38	58	PE7	I/O	FT	TMR1_EXT / UART7_RX / QSPI2_IO0 / XMC_D4	-
-	-	39	59	PE8	I/O	FT	TMR1_CH1C / UART4_TX / UART7_TX / QSPI2_IO1 / XMC_D5	-

Pin number				Pin name (function after reset)	Pin type ⁽¹⁾	GPIO structure ⁽²⁾	IOMUX functions ⁽³⁾	Additional function
LQFP48 / QFN48	LQFP64	LQFP100	LQFP144					
-	-	40	60	PE9	I/O	FT	TMR1_CH1 / UART4_RX / QSPI2_IO2 / XMC_D6	-
-	-	-	61	V _{SS}	S	-	Digital ground	
-	-	-	62	V _{DD}	S	-	Digital power supply	
-	-	41	63	PE10	I/O	FT	TMR1_CH2C / UART5_TX / QSPI2_IO3 / XMC_D7	-
-	-	42	64	PE11	I/O	FT	TMR1_CH2 / SPI4_CS / I2S4_WS / UART5_RX / XMC_D8	-
-	-	43	65	PE12	I/O	FT	TMR1_CH3C / SPI1_CS / I2S1_WS / SPI4_SCK / I2S4_CK / XMC_D9	-
-	-	44	66	PE13	I/O	FT	TMR1_CH3 / SPI1_SCK / I2S1_CK / SPI4_MISO / XMC_D10	-
-	-	45	67	PE14	I/O	FT	TMR1_CH4 / SPI1_MISO / SPI4_MOSI / I2S4_SD / XMC_D11	-
-	-	46	68	PE15	I/O	FT	TMR1_BRK / SPI1_MOSI / I2S1_SD / XMC_D12	-
21	29	47	69	PB10	I/O	FTf	TMR2_CH3 / I2C2_SCL / SPI2_SCK / I2S2_CK / I2S3_MCK / USART3_TX / QSPI1_CS / QSPI1_IO1 / EMAC_MII_RX_ER / SDIO1_D7 / XMC_NOE	-
22	30	48	70	PB11	I/O	FT	TMR2_CH4 / TMR5_CH4 / I2C2_SDA / USART3_RX / QSPI1_IO0 / EMAC_MII_TX_EN / EMAC_RMII_TX_EN	-
23	31	49	71	PH3	I/O	FT	TMR5_CH2 / I2C2_SDA / UART4_TX / QSPI1_IO1	-
24	32	50	72	V _{DD}	S	-	Digital power supply	
25	33	51	73	PB12	I/O	FT	TMR1_BRK / TMR5_CH1 / I2C2_SMBA / SPI2_CS / I2S2_WS / SPI4_CS / I2S4_WS / SPI3_SCK / I2S3_CK / USART3_CK / CAN2_RX / EMAC_MII_TXD0 / EMAC_RMII_TXD0 / OTGFS2_ID / XMC_D13	-
26	34	52	74	PB13	I/O	FT	TMR1_CH1C / I2C3_SMBA / SPI2_SCK / I2S2_CK / SPI4_SCK / I2S4_CK / I2C3_SCL / USART3_CTS / CAN2_TX / EMAC_MII_TXD1 / EMAC_RMII_TXD1 / OTGFS2_VBUS	-
27	35	53	75	PB14	I/O	TC	TMR1_CH2C / TMR8_CH2C / I2C3_SDA / SPI2_MISO / I2S2_SDEXT / USART3_RTS_DE / TMR12_CH1 / OTGFS2_D- / SDIO1_D6 / XMC_D0	-
28	36	54	76	PB15	I/O	TC	ERTC_REFIN / TMR1_CH3C / TMR8_CH3C / I2C3_SCL / SPI2_MOSI / I2S2_SD / TMR12_CH2 / OTGFS2_D+ / SDIO1_CK	-
-	-	55	77	PD8	I/O	FT	USART3_TX / EMAC_MII_RX_DV / EMAC_RMII_CRS_DV / XMC_D13	-
-	-	56	78	PD9	I/O	FT	USART3_RX / EMAC_MII_RXD0 / MAC_RMII_RXD0 / XMC_D14	-

Pin number				Pin name (function after reset)	Pin type ⁽¹⁾	GPIO structure ⁽²⁾	IOMUX functions ⁽³⁾	Additional function
LQFP48 / QFN48	LQFP64	LQFP100	LQFP144					
-	-	57	79	PD10	I/O	FT	USART3_CK / EMAC_MII_RXD1 / EMAC_RMII_RXD1 / XMC_D15	-
-	-	58	80	PD11	I/O	FT	I2C2_SMBA / USART3_CTS / QSPI1_IO0 / XMC_A14 / XMC_SDBA0 / EMAC_MII_RXD2 / XMC_A16_CLE	-
-	-	59	81	PD12	I/O	FTf	TMR4_CH1 / I2C2_SCL / USART3_RTS_DE / QSPI1_IO1 / XMC_A15 / XMC_SDBA1 / EMAC_MII_RXD3 / XMC_A17_ALE	-
-	-	60	82	PD13	I/O	FTf	TMR4_CH2 / I2C2_SDA / UART8_TX / QSPI1_IO3 / XMC_SDCLK / XMC_A18	-
-	-	-	83	V _{SS}	S	-	Digital ground	
-	-	-	84	V _{DD}	S	-	Digital power supply	
-	-	61	85	PD14	I/O	FTf	TMR4_CH3 / I2C3_SCL / UART8_RX / XMC_D0	-
-	-	62	86	PD15	I/O	FTf	TMR4_CH4 / I2C3_SDA / XMC_D1	-
-	-	-	87	PG2	I/O	FT	TMR20_CH3C / XMC_A12	-
-	-	-	88	PG3	I/O	FT	TMR20_BRK / XMC_A13	-
-	-	-	89	PG4	I/O	FT	XMC_A14 / XMC_SDBA0	-
-	-	-	90	PG5	I/O	FT	TMR20_EXT / XMC_A15 / XMC_SDBA1	-
-	-	-	91	PG6	I/O	FT	QSPI1_CS / XMC_INT2 / DVP_D12	-
-	-	-	92	PG7	I/O	FT	USART6_CK / XMC_INT3 / DVP_D13	-
-	-	-	93	PG8	I/O	FT	QSPI2_CS / USART6_RTS_DE / EMAC_PPS_OUT / XMC_SDCLK	-
-	-	-	94	V _{SS}	S	-	Digital ground	
-	-	-	95	V _{DD}	S	-	Digital power supply	
-	37	63	96	PC6	I/O	FT	TMR3_CH1 / TMR8_CH1 / I2C1_SCL / I2S2_MCK / USART6_TX / XMC_A0 / SDIO1_D6 / DVP_D0 / XMC_D1	-
-	38	64	97	PC7	I/O	FT	TMR3_CH2 / TMR8_CH2 / I2C1_SDA / SPI2_SCK / I2S2_CK / I2S3_MCK / USART6_RX / XMC_A1 / SDIO1_D7 / DVP_D1	-
-	39	65	98	PC8	I/O	FT	TMR3_CH3 / TMR8_CH3 / I2S4_MCK / TMR20_CH3 / UART8_TX / USART6_CK / QSPI1_IO2 / XMC_A2 / SDIO1_D0 / DVP_D2	-
-	40	66	99	PC9	I/O	FT	CLKOUT2 / TMR3_CH4 / TMR8_CH4 / I2C3_SDA / UART8_RX / QSPI1_IO0 / XMC_A3 / OTGFS2_OE / SDIO1_D1 / DVP_D3	-
29	41	67	100	PA8	I/O	FT	CLKOUT1 / TMR1_CH1 / I2C3_SCL / USART1_CK / USART2_TX / OTGFS1_SOF / SDIO1_D1 / XMC_A4	-

Pin number				Pin name (function after reset)	Pin type ⁽¹⁾	GPIO structure ⁽²⁾	IOMUX functions ⁽³⁾	Additional function
LQFP48 / QFN48	LQFP64	LQFP100	LQFP144					
30	42	68	101	PA9	I/O	FT	TMR1_CH2 / I2C3_SMBA / SPI2_SCK / I2S2_CK / USART1_TX / I2C1_SCL / OTGFS1_VBUS / SDIO1_D2 / DVP_D0	-
31	43	69	102	PA10	I/O	FT	TMR1_CH3 / SPI2_MOSI / I2S2_SD / I2S4_MCK / USART1_RX / I2C1_SDA / OTGFS1_ID / DVP_D1	-
32	44	70	103	PA11	I/O	TC	TMR1_CH4 / I2C2_SCL / SPI2_CS / I2S2_WS / SPI4_MISO / USART1_CTS / USART6_TX / CAN1_RX / OTGFS1_D- / DVP_D2	-
33	45	71	104	PA12	I/O	TC	TMR1_EXT / I2C2_SDA / SPI2_MISO / USART1_RTS_DE / USART6_RX / CAN1_TX / OTGFS1_D+ / DVP_D3	-
34	46	72	105	PA13 (JTMS / SWDIO)	I/O	FT	JTMS / SWDIO / IR_OUT / SPI3_MISO / OTGFS1_OE	-
35	47	73	106	PH2	I/O	FT	TMR5_CH1 / I2C2_SCL / UART4_RX / QSPI1_IO0	-
-	-	74	107	V _{SS}	S	-	Digital ground	
36	48	75	108	V _{DD}	S	-	Digital power supply	
37	49	76	109	PA14 (JTCK / SWCLK)	I/O	FT	JTCK / SWCLK / SPI3_MOSI / I2S3_SD / USART2_TX	-
38	50	77	110	PA15 (JTDI)	I/O	FT	JTDI / TMR2_CH1 / TMR2_EXT / SPI1_CS / I2S1_WS / SPI3_CS / I2S3_WS / USART1_TX / USART2_RX / QSPI2_IO1 / QSPI1_IO2 / XMC_NE2 / XMC_NCE3	-
-	51	78	111	PC10	I/O	FT	TMR5_CH2 / SPI3_SCK / I2S3_CK / USART3_TX / UART4_TX / QSPI1_IO1 / SDIO1_D2 / DVP_D8	-
-	52	79	112	PC11	I/O	FT	TMR5_CH3 / I2S3_SDEXT / SPI3_MISO / USART3_RX / UART4_RX / QSPI1_CS / SDIO1_D3 / DVP_D4 / XMC_D2	-
-	53	80	113	PC12	I/O	FT	TMR11_CH1 / I2C2_SDA / SPI3_MOSI / I2S3_SD / USART3_CK / UART5_TX / SDIO1_CK / DVP_D9 / XMC_D3	-
-	-	81	114	PD0	I/O	FT	SPI4_MISO / SPI3_MOSI / I2S3_SD / SPI2_CS / I2S2_WS / CAN1_RX / XMC_A5 / XMC_D2	-
-	-	82	115	PD1	I/O	FT	SPI2_SCK / I2S2_CK / SPI2_CS / I2S2_WS / CAN1_TX / XMC_A6 / XMC_D3	-
-	54	83	116	PD2	I/O	FT	TMR3_EXT / USART3_RTS_DE / UART5_RX / XMC_A7 / SDIO1_CMD / DVP_D11 / XMC_NWE	-
-	-	84	117	PD3	I/O	FT	SPI2_SCK / I2S2_CK / SPI2_MISO / USART2_CTS / QSPI1_SCK / XMC_A8 / XMC_CLK / DVP_D5	-

Pin number				Pin name (function after reset)	Pin type ⁽¹⁾	GPIO structure ⁽²⁾	IOMUX functions ⁽³⁾	Additional function
LQFP48 / QFN48	LQFP64	LQFP100	LQFP144					
-	-	85	118	PD4	I/O	FT	SPI2_MOSI / I2S2_SD / USART2_RTS_DE / XMC_A9 / XMC_NOE	-
-	-	86	119	PD5	I/O	FT	USART2_TX / XMC_A10 / XMC_NWE	-
-	-	-	120	V _{SS}	S	-	Digital ground	-
-	-	-	121	V _{DD}	S	-	Digital power supply	-
-	-	87	122	PD6	I/O	FT	SPI3_MOSI / I2S3_SD / USART2_RX / XMC_A11 / XMC_NWAIT / DVP_D10	-
-	-	88	123	PD7	I/O	FT	USART2_CK / XMC_A12 / XMC_NE1 / XMC_NCE2	-
-	-	-	124	PG9	I/O	FT	USART6_RX / QSPI1_IO2 / XMC_NE2 / XMC_NCE3 / DVP_VSYNC	-
-	-	-	125	PG10	I/O	FT	QSPI2_IO2 / XMC_NE3 / XMC_NCE4_1 / DVP_D2	-
-	-	-	126	PG11	I/O	FT	QSPI2_IO3 / SPI4_SCK / I2S4_CK / CAN2_RX / EMAC_MII_TX_EN / EMAC_RMII_TX_EN / XMC_NCE4_2 / DVP_D3	-
-	-	-	127	PG12	I/O	FT	QSPI2_IO1 / SPI4_MISO / USART6_RTS_DE / CAN2_TX / XMC_NE4	-
-	-	-	128	PG13	I/O	FT	QSPI2_SCK / SPI4_MOSI / I2S4_SD / USART6_CTS / EMAC_MII_TXD0 / EMAC_RMII_TXD0 / XMC_A24	-
-	-	-	129	PG14	I/O	FT	QSPI2_IO0 / SPI4_CS / I2S4_WS / USART6_TX / QSPI1_IO3 / EMAC_MII_TXD1 / EMAC_RMII_TXD1 / XMC_A25	-
-	-	-	130	V _{SS}	S	-	Digital ground	-
-	-	-	131	V _{DD}	S	-	Digital power supply	-
-	-	-	132	PG15	I/O	FT	USART6_CTS / XMC_SDNCAS / DVP_D13	-
39	55	89	133	PB3 (JTDO)	I/O	FTf	JTDO / TMR2_CH2 / I2C2_SDA / SPI1_SCK / I2S1_CK / SPI3_SCK / I2S3_CK / USART1_RX / UART7_RX / QSPI1_IO3 / DVP_D4 / SWO	-
40	56	90	134	PB4 (NJTRST)	I/O	FT	JNTRST / TMR3_CH1 / I2C3_SDA / SPI1_MISO / SPI3_MISO / I2S3_SDEXT / UART7_TX / SDIO1_D0 / DVP_D5	-
41	57	91	135	PB5	I/O	FT	TMR3_CH2 / I2C1_SMBA / SPI1_MOSI / I2S1_SD / SPI3_MOSI / I2S3_SD / USART1_CK / UART5_RX / CAN2_RX / EMAC_PPS_OUT / XMC_SDCKE1 / DVP_D10 / SDIO1_D3	-
42	58	92	136	PB6	I/O	FT	TMR4_CH1 / I2C1_SCL / I2S1_MCK / SPI4_CS / I2S4_WS / USART1_TX / UART5_TX / CAN2_TX / QSPI1_CS / XMC_SDCE1 / DVP_D5 / SDIO1_D0	-

Pin number				Pin name (function after reset)	Pin type ⁽¹⁾	GPIO structure ⁽²⁾	IOMUX functions ⁽³⁾	Additional function
LQFP48 / QFN48	LQFP64	LQFP100	LQFP144					
43	59	93	137	PB7	I/O	FT	TMR4_CH2 / TMR8_BRK / I2C1_SDA / SPI4_SCK / I2S4_CK / USART1_RX / QSPI2_IO1 / XMC_NADV / DVP_VSYNC / SDIO1_D0	-
44	60	94	138	BOOT0	I	B	-	-
45	61	95	139	PB8	I/O	FT	TMR2_CH1 / TMR2_EXT / TMR4_CH3 / TMR10_CH1 / I2C1_SCL / SPI4_MISO / UART5_RX / CAN1_RX / QSPI2_CS / EMAC_MII_TXD3 / SDIO1_D4 / DVP_D6	-
46	62	96	140	PB9	I/O	FTf	IR_OUT / TMR2_CH2 / TMR4_CH4 / TMR11_CH1 / I2C1_SDA / SPI2_CS / I2S2_WS / SPI4_MOSI / I2S4_SD / I2C2_SDA / UART5_TX / CAN1_TX / QSPI1_CS / SDIO1_D5 / DVP_D7	-
-	-	97	141	PE0	I/O	FT	TMR4_EXT / TMR20_EXT / UART8_RX / XMC_LB / XMC_SDDQML / DVP_D2	-
-	-	98	142	PE1	I/O	FT	TMR1_CH2C / TMR20_CH4 / UART8_TX / XMC_UB / XMC_SDDQMH / DVP_D3	-
47	63	99	143	V _{SS}	S	-	Digital ground	
48	64	100	144	V _{DD}	S	-	Digital power supply	
-49	-	-	-	EPAD	S	-	Digital ground	

(1) I = input, O = output, S = supply

(2) TC = standard 3.3 V GPIO, FT = general 5 V-tolerant GPIO, FTa = 5 V-tolerant GPIO with analog functionalities, FTf = 5 V-tolerant GPIO with 20 mA sink current capability, R = bidirectional reset pin with embedded weak pull-up resistor, B = dedicated BOOT0 pin with embedded weak pull-down resistor. Among them, FTa pin has 5 V-tolerant characteristics when configured as input floating, input pull-up, or input pull-down mode. However, it cannot be 5 V-tolerant when configured as analog mode. Meanwhile, its input level should not higher than $V_{DD} + 0.3 V$.

(3) Function availability depends on the chosen device. Every GPIO can function as EVENTOUT.

(4) PC13, PC14, and PC15 are supplied through the power switch. Since the switch only drives a limited amount of current (3 mA), the use of these three GPIOs as output mode is limited not to be used as a current source (e.g. to drive an LED).

(5) Main function after the first battery powered domain power-up. Later on, it depends on the contents of the battery powered registers even after reset (because these registers are not reset by the main reset). For details on how to manage these GPIOs, refer to the battery powered domain and register description sections in the AT32F435/437 reference manual.

(6) PA0, PA1, PC0, PC1, PC2, and PC3 are ADC fast channels; others are slow channels.

Table 9. XMC pin definition

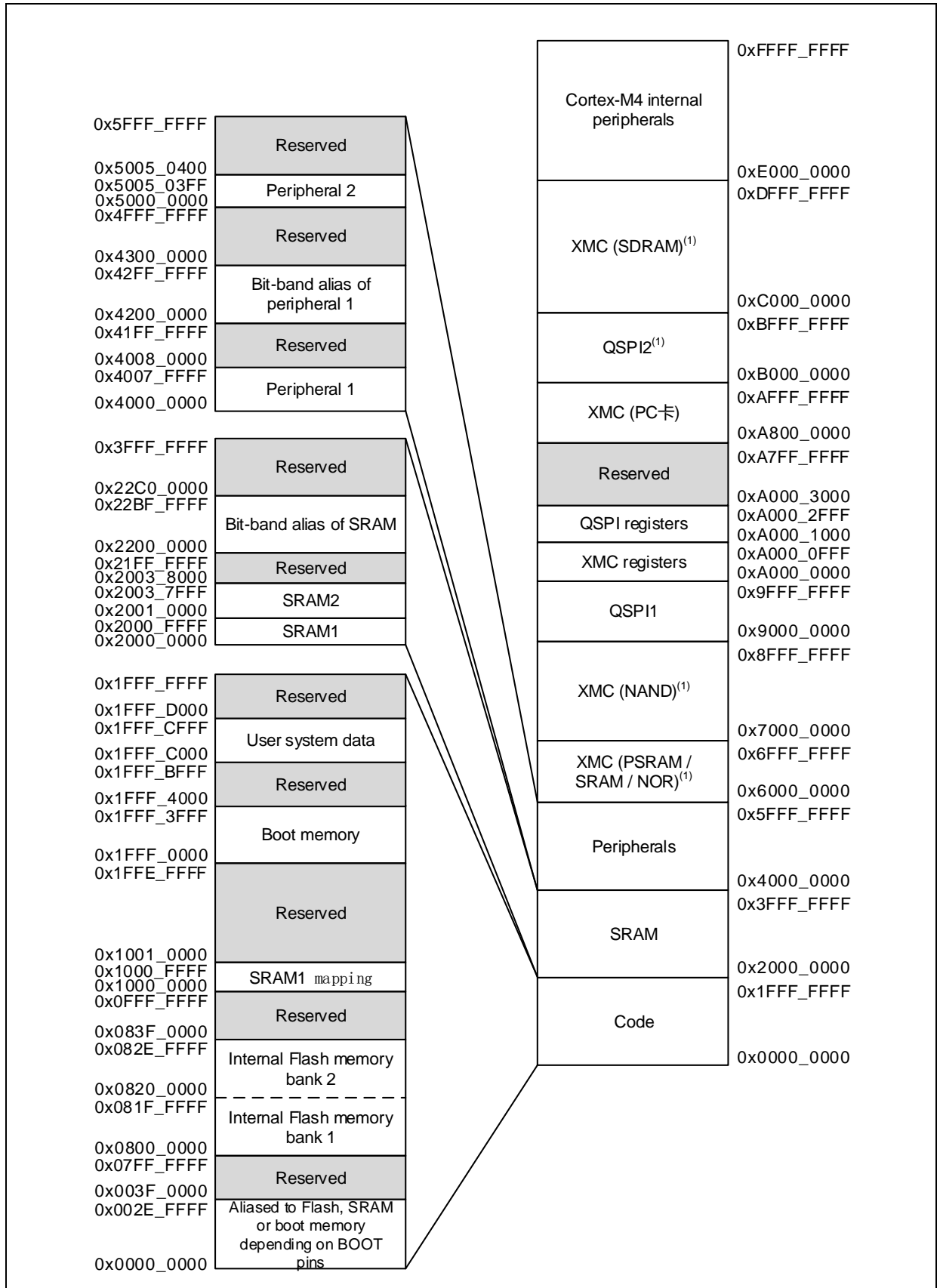
Pin name	XMC						LQFP100	LQFP64
	CF card	SRAM/PSRAM/NOR	Multiplexed PSRAM/NOR	NAND 16-bit	SDRAM ⁽¹⁾			
PF0	A0	A0	-	-	-	A0	-	-
PF1	A1	A1	-	-	-	A1	-	-
PF2	A2	A2	-	-	-	A2	-	-
PF3	A3	A3	-	-	-	A3	-	-
PF4	A4	A4	-	-	-	A4	-	-
PF5	A5	A5	-	-	-	A5	-	-
PF12	A6	A6	-	-	-	A6	-	-
PF13	A7	A7	-	-	-	A7	-	-
PF14	A8	A8	-	-	-	A8	-	-
PF15	A9	A9	-	-	-	A9	-	-
PG0	A10	A10	-	-	-	A10	-	-
PG1	-	A11	-	-	-	A11	-	-
PG2	-	A12	-	-	-	A12	-	-
PG3	-	A13	-	-	-	-	-	-
PG4	-	A14	-	-	-	SDBA0	-	-
PG5	-	A15	-	-	-	SDBA1	-	-
PD11	-	A14 / A16	A14 / A16	- / CLE	SDBA0	-	Yes	-
PD12	-	A15 / A17	A15 / A17	- / ALE	SDBA1	-	Yes	-
PD13	-	A18	A18	-	SDCLK	-	Yes	-
PE3	-	A19	A19	-	-	-	Yes	-
PE4	-	A20	A20	-	-	-	Yes	-
PE5	-	A21	A21	-	-	-	Yes	-
PE6	-	A22	A22	-	-	SDNRAS	Yes	-
PE2	-	A23	A23	-	-	SDNCAS	Yes	-
PG13	-	A24	A24	-	-	-	-	-
PG14	-	A25	A25	-	-	-	-	-
PC3	-	A0	-	-	-	SDCKE0	Yes	Yes
PC6	A0 / D1	A0 / D1	- / AD1	- / D1	A0	-	Yes	Yes
PC7	A1	A1	-	-	A1	-	Yes	Yes
PC8	A2	A2	-	-	A2	-	Yes	Yes
PC9	A3	A3	-	-	A3	-	Yes	Yes
PA8	A4	A4	-	-	A4	-	Yes	Yes
PD0	A5 / D2	A5 / D2	- / AD2	- / D2	A5	D2	Yes	-
PD1	A6 / D3	A6 / D3	- / AD3	- / D3	A6	D3	Yes	-
PD2	A7 / NWE	A7 / NWE	NWE	NWE	A7	-	Yes	Yes
PD3	A8 / -	A8 / CLK	- / CLK	-	A8	-	Yes	-
PD4	A9 / NOE	A9 / NOE	- / NOE	- / NOE	A9	-	Yes	-

Pin name	XMC					LQFP100	LQFP64	
	CF card	SRAM/PSRAM/NOR	Multiplexed PSRAM/NOR	NAND 16-bit	SDRAM ⁽¹⁾			
PD5	A10 / NWE	A10 / NWE	- / NWE	- / NWE	A10	-	Yes	-
PD6	- / NWAIT	A11 / NWAIT	- / NWAIT	- / NWAIT	A11	-	Yes	-
PD7	-	A12 / NE1	- / NE1	- / NCE2	A12	-	Yes	-
PD14	D0	D0	AD0	D0	D0		Yes	-
PD15	D1	D1	AD1	D1	D1		Yes	-
PE7	D4	D4	AD4	D4	D4		Yes	-
PE8	D5	D5	AD5	D5	D5		Yes	-
PE9	D6	D6	AD6	D6	D6		Yes	-
PE10	D7	D7	AD7	D7	D7		Yes	-
PE11	D8	D8	AD8	D8	D8		Yes	-
PE12	D9	D9	AD9	D9	D9		Yes	-
PE13	D10	D10	AD10	D10	D10		Yes	-
PE14	D11	D11	AD11	D11	D11		Yes	-
PE15	D12	D12	AD12	D12	D12		Yes	-
PD8	D13	D13	AD13	D13	D13		Yes	-
PD9	D14	D14	AD14	D14	D14		Yes	-
PD10	D15	D15	AD15	D15	D15		Yes	-
PB14	D0	D0	AD0	D0	-		Yes	Yes
PC6	D1	D1	AD1	D1	-		Yes	Yes
PC11	D2	D2	AD2	D2	D2	-	Yes	Yes
PC12	D3	D3	AD3	D3	D3	-	Yes	Yes
PA2	D4	D4	AD4	D4	-		Yes	Yes
PA3	D5	D5	AD5	D5	-		Yes	Yes
PA4	D6	D6	AD6	D6	-		Yes	Yes
PA5	D7	D7	AD7	D7	-		Yes	Yes
PB12	D13	D13	AD13	D13	-		Yes	Yes
PD7	-	NE1	NE1	NCE2	-		Yes	-
PG9	-	NE2	NE2	NCE3	-		-	-
PA15	-	NE2	NE2	NCE3	-		Yes	Yes
PG10	NCE4_1	NE3	NE3	-	-		-	-
PG11	NCE4_2	-	-	-	-		-	-
PG12	-	NE4	NE4	-	-		-	-
PC4	-	NE4	NE4	-	SDCS0		Yes	Yes
PB7	-	-	NADV	-	-		Yes	Yes
PB10	NOE	NOE	NOE	NOE	-		Yes	Yes
PC5	NOE	NOE	NOE	NOE	SDCKE0		Yes	Yes
PC2	NWE	NWE	NWE	NWE	SDCS0		Yes	Yes
PF6	NIORD	-	-	-	-		-	-

Pin name	XMC					LQFP100	LQFP64
	CF card	SRAM/PSRAM/NOR	Multiplexed PSRAM/NOR	NAND 16-bit	SDRAM ⁽¹⁾		
PF7	NREG	-	-	-	-	-	-
PF8	NIOWR	-	-	-	-	-	-
PF9	CD	-	-	-	-	-	-
PF10	INTR	-	-	-	-	-	-
PG6	-	-	-	INT2	-	-	-
PG7	-	-	-	INT3	-	-	-
PE0	-	LB	LB	-	SDDQML	Yes	-
PE1	-	UB	UB	-	SDDQMH	Yes	-
PG8	-	-	-	-	- SDCLK	-	-
PC0	-	-	-	-	SDNWE	Yes	-
PF11	-	-	-	-	SDNRAS	-	-
PG15	-	-	-	-	SDNCAS	-	-
PA7	-	-	-	-	SDNWE	Yes	Yes
PB5	-	-	-	-	SDCKE1	Yes	-
PB6	-	-	-	-	SDCS1	Yes	-

(1) The address, block address, data and clock lines of SDRAM are suggested to use these two set of pin combinations. Once mixed, it can still work normally but with a limited performance.

4 Memory mapping

Figure 7. Memory mapping (AT32F435/437xM)


(1) The logic addresses of several blocks can be swapped through software configuration. Code can be executed from 0x6000_0000 through 0x9FFF_FFFF. Please refer to the reference manual of AT32F435/437 series.

5 Electrical characteristics

5.1 Test conditions

5.1.1 Minimum and maximum values

The minimum and maximum values are guaranteed in the worst conditions. Data based on characterization results, design simulation and/or technology characteristics are indicated in the table footnotes and are not tested in production. The minimum and maximum values represent the mean value plus or minus three times the standard deviation ($\text{mean} \pm 3\sigma$).

5.1.2 Typical values

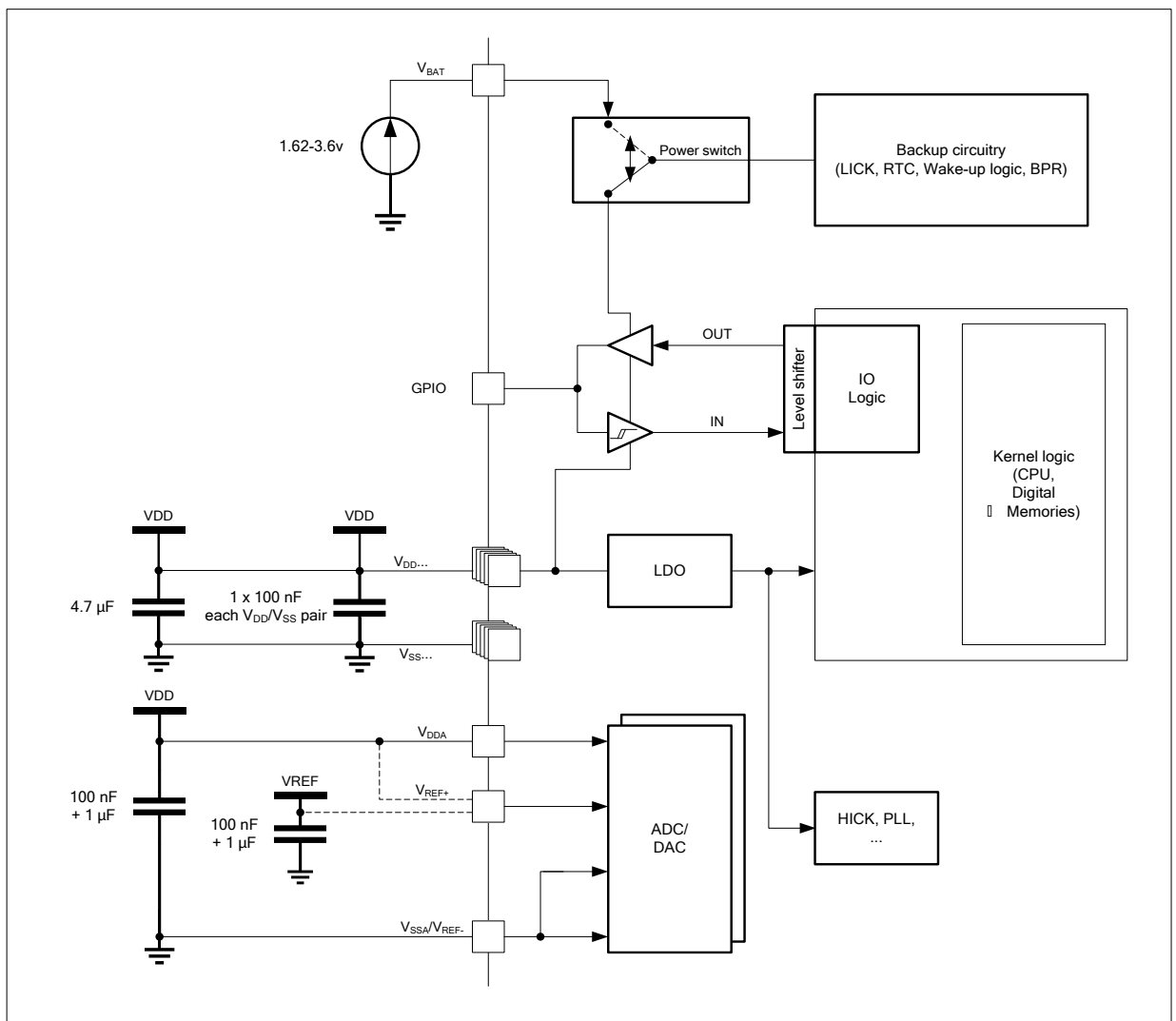
Typical data are based on $T_A = 25\text{ }^\circ\text{C}$, $V_{DD} = 3.3\text{ V}$.

5.1.3 Typical curves

All typical curves are provided only as design guidelines and are not tested.

5.1.4 Power supply scheme

Figure 8. Power supply scheme



5.2 Absolute maximum values

5.2.1 Ratings

If stresses were out of the absolute maximum ratings listed in [Table 10](#), [Table 11](#) and [Table 12](#), it may cause permanent damage to the device. These are the maximum stress ratings only that the device could bear, but the functional operation of the device under these conditions is not implied. Exposure to maximum rating conditions for an extended period of time may affect device reliability.

Table 10. Voltage characteristics

Symbol	Description	Min	Max	Unit
$V_{DDx}-V_{SS}$	External main supply voltage	-0.3	4.0	V
V_{IN}	Input voltage on FT and FTf GPIO	$V_{SS}-0.3$	6.0	
	Input voltage on FTa GPIO (set as input floating, input pull-up, or input pull-down mode)			
	Input voltage on TC GPIO	$V_{SS}-0.3$	4.0	
Input voltage on FTa GPIO (set as analog mode)				
$ \Delta V_{DDx} $	Variations between different V_{DD} power pins	-	50	mV
$ V_{SSx}-V_{SS} $	Variations between all the different ground pins	-	50	

Table 11. Current characteristics

Symbol	Description	Max	Unit
I_{VDD}	Total current into V_{DD} power lines (source)	250	mA
I_{VSS}	Total current out of V_{SS} ground lines (sink)	250	
I_{IO}	Output current sunk by any GPIO and control pin	25	
	Output current source by any GPIOs and control pin	-25	

Table 12. Temperature characteristics

Symbol	Description	Value	Unit
T_{STG}	Storage temperature range	-60 ~ +150	°C
T_J	Maximum junction temperature	125	

5.2.2 Electrical sensitivity

Based on three different tests (HBM, CDM, and LU) using specific measurement methods, the device is stressed in order to determine its performance in terms of electrical sensitivity.

Electrostatic discharge (ESD)

Electrostatic discharges are applied to the pins of each sample according to each pin combination. This test conforms to the JS-001-2017/JS-002-2014 standard.

Table 13. ESD values

Symbol	Parameter	Conditions	Class	Min	Unit
$V_{ESD(HBM)}$	Electrostatic discharge voltage (human body model)	$T_A = +25\text{ }^\circ\text{C}$, conforming to JS-001-2017	3A	± 4000	V
$V_{ESD(CDM)}$	Electrostatic discharge voltage (charge device model)	$T_A = +25\text{ }^\circ\text{C}$, conforming to JS-002-2018	III	± 1000	

Static latch-up

Tests compliant with EIA/JESD78E IC latch-up standard are required to assess the latch-up performance:

- A supply overvoltage is applied to each power supply pin;
- A current injection is applied to each input, output and configurable GPIO pin.

Table 14. Latch-up values

Symbol	Parameter	Conditions	Level/Class
LU	Static latch-up	$T_A = +105\text{ }^\circ\text{C}$, conforming to EIA/JESD78E	II level A ($\pm 200\text{ mA}$)

5.3 Specification

5.3.1 General operating conditions

Table 15. General operating conditions

Symbol	Parameter	Conditions	Min	Max	Unit	
f _{HCLK}	Internal AHB clock frequency	NZW_BST disabled	LDO 1.3 V	0	288	MHz
			LDO 1.2 V	0	240	
			LDO 1.1 V	0	192	
			LDO 1.0 V	0	144	
		NZW_BST enabled	LDO 1.3 V	0	192	
			LDO 1.2 V	0	160	
			LDO 1.1 V	0	136	
			LDO 1.0 V	0	108	
f _{CLK1/2}	Internal APB1/2 clock frequency	LDO 1.3 V	0	144	MHz	
		LDO 1.2 V	0	120		
		LDO 1.1 V	0	96		
		LDO 1.0 V	0	72		
V _{DD}	Digital operating voltage	LDO 1.2/1.1/1.0 V	2.6	3.6	V	
		LDO 1.3 V	3.0	3.6		
V _{DDA}	Analog operating voltage	Must be the same potential as V _{DD}	V _{DD}		V	
V _{BAT}	Battery power voltage	-	1.62	3.6	V	
P _D	Power dissipation: T _A =105 °C	LQFP144	-	402	mW	
		LQFP100	-	316		
		LQFP64	-	310		
		LQFP48	-	320		
		QFN48	-	500		
T _A	Ambient temperature	-	-40	105	°C	

5.3.2 Operating conditions at power-up / power-down

Table 16. Operating conditions at power-up/power-down

Symbol	Parameter	Conditions	Min	Max	Unit
t _{VDD}	V _{DD} rise time rate	-	0	∞	ms/V
	V _{DD} fall time rate		20	∞	μs/V

5.3.3 Embedded reset and power control block characteristics

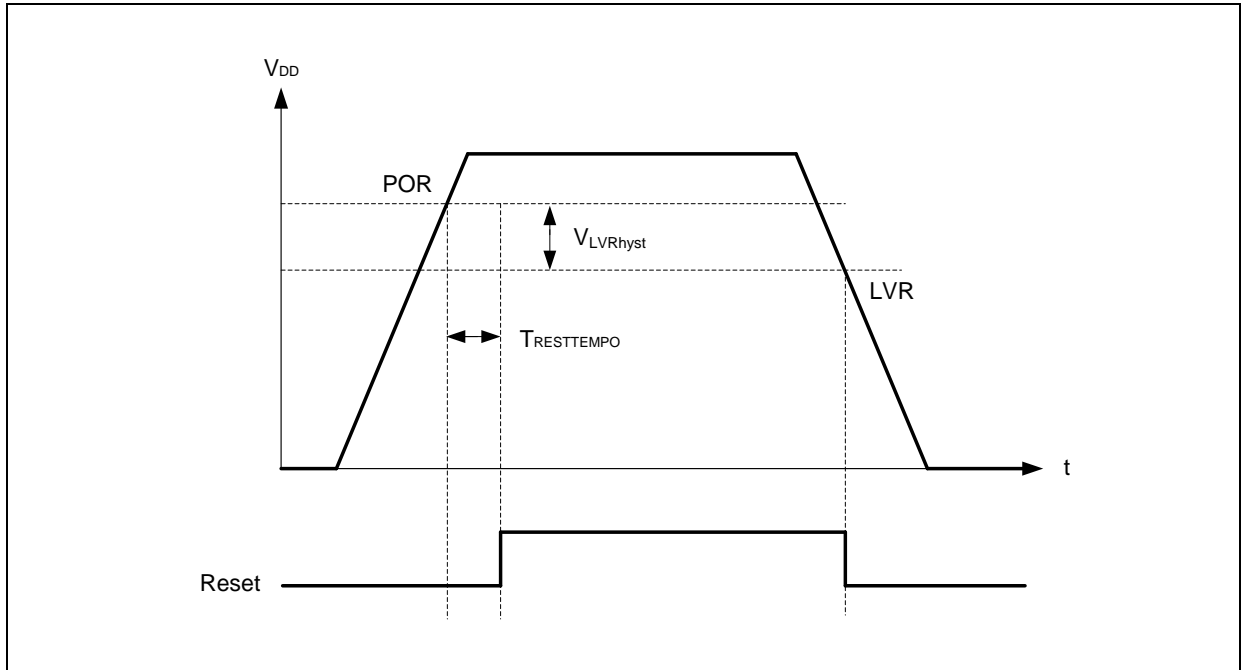
Table 17. Embedded reset and power management block characteristics

Symbol	Parameter	Condition	Min	Typ	Max	Unit
V _{PVM}	Power voltage monitoring level selection	PVMSEL[2:0] = 001 (rising edge) ⁽¹⁾	2.19	2.28	2.37	V
		PVMSEL[2:0] = 001 (falling edge) ⁽¹⁾	2.09	2.18	2.27	V
		PVMSEL[2:0] = 010 (rising edge) ⁽²⁾	2.28	2.38	2.48	V
		PVMSEL[2:0] = 010 (falling edge) ⁽²⁾	2.18	2.28	2.38	V
		PVMSEL[2:0] = 011 (rising edge) ⁽²⁾	2.38	2.48	2.58	V
		PVMSEL[2:0] = 011 (falling edge) ⁽²⁾	2.28	2.38	2.48	V
		PVMSEL[2:0] = 100 (rising edge) ⁽²⁾	2.47	2.58	2.69	V
		PVMSEL[2:0] = 100 (falling edge) ⁽²⁾	2.37	2.48	2.59	V
		PVMSEL[2:0] = 101 (rising edge) ⁽²⁾	2.57	2.68	2.79	V
		PVMSEL[2:0] = 101 (falling edge) ⁽²⁾	2.47	2.58	2.69	V
		PVMSEL[2:0] = 110 (rising edge) ⁽²⁾	2.66	2.78	2.9	V
		PVMSEL[2:0] = 110 (falling edge) ⁽²⁾	2.56	2.68	2.8	V
		PVMSEL[2:0] = 111 (rising edge)	2.76	2.88	3	V
		PVMSEL[2:0] = 111 (falling edge)	2.66	2.78	2.9	V
V _{HYS_P} ⁽²⁾	PVM hysteresis	-	-	100	-	mV
V _{POR} ⁽²⁾	Power on reset threshold	-	2.02	2.2	2.45	V
V _{LVR} ⁽²⁾	Low voltage reset threshold	-	1.84 ⁽³⁾	2.07	2.3	V
V _{LVRhyst} ⁽²⁾	LVR hysteresis	-	-	130	-	mV
T _{RESTTEMPO} ⁽²⁾	Reset temporization: CPU starts execution after V _{DD} keeps higher than V _{POR} for T _{RESTTEMPO}	ZW = 128 Kbytes	-	10	-	ms
		ZW = 256 Kbytes	-	15	-	
		ZW = 512 Kbytes	-	25	-	

(1) PVMSEL[2:0] = 001 may be not available for its voltage detector level may be lower than V_{POR}.

(2) Guaranteed by characterization results, not tested in production.

(3) The product behavior is guaranteed by design down to the minimum V_{LVR} value.

Figure 9. Power on reset and low voltage reset waveform


5.3.4 Memory characteristics

Table 18. Internal Flash memory characteristics ⁽¹⁾

Symbol	Parameter	Conditions	Typ	Max	Unit
T _{PROG}	Programming time	AT32F435/437xD	30	80	μs
		Others	50	200	
t _{SE}	Sector erase time	AT32F435/437xC	50	500	ms
		AT32F435/437xD	50	240	
		AT32F435/437xG	50	500	
		AT32F435/437xM	45	400	
t _{BLE}	Block erase time	AT32F435/437xC	250	2300	ms
		AT32F435/437xD	300	1200	
		AT32F435/437xG	200	2300	
		AT32F435/437xM	225	2000	
t _{BKE}	Bank erase time	AT32F435/437xC	2.5	5	s
		AT32F435/437xD	3	10	
		AT32F435/437xG	1.6	20	
		AT32F435/437xM	7.2	64	

(1) Guaranteed by design, not tested in production.

Table 19. Internal Flash memory endurance and data retention ⁽¹⁾

Symbol	Parameter	Conditions	Min	Typ	Max	Unit
N _{END}	Endurance	T _A = -40 ~ 105 °C	100	-	-	kcycles
t _{RET}	Data retention	T _A = 105 °C	10	-	-	years

(1) Guaranteed by design, not tested in production.

5.3.5 Supply current characteristics

The current consumption is subjected to several parameters and factors such as the operating voltage, ambient temperature, GPIO pin loading, device software configuration, operating frequencies, GPIO pin switching rate, and executed binary code. The current consumption is obtained by characterization results, not tested in production.

Typical and maximum current consumption

The MCU is placed under the following conditions:

- All GPIO pins are in analog mode.
- Prefetch in ON. (Reminder: This bit must be set before clock setting and bus prescaling)
- When the peripherals are enabled:
 - $f_{HCLK} > 144 \text{ MHz}$, $f_{PCLK1} = f_{HCLK}/2$, $f_{PCLK2} = f_{HCLK}/2$, $f_{ADCCLK} = f_{PCLK2}/2$
 - $f_{HCLK} \leq 144 \text{ MHz}$, $f_{PCLK1} = f_{HCLK}$, $f_{PCLK2} = f_{HCLK}$, $f_{ADCCLK} = f_{PCLK2}/2$
- Code executes in ZW area.
- Unless otherwise specified, the typical values are measured with $V_{DD} = 3.3 \text{ V}$ and $T_A = 25 \text{ }^\circ\text{C}$ condition and the maximum values are measured with $V_{DD} = 3.6 \text{ V}$.

Table 20. Typical current consumption in Run mode

Symbol	Parameter	Conditions	f _{HCLK}	LDO voltage	Typ			Unit
					All peripherals enabled	All peripherals enabled except EMAC	All peripherals disabled	
I _{DD}	Supply current in Run mode	High speed external crystal (HEXT) ⁽¹⁾⁽²⁾	288 MHz	1.3	231.6	222.7	59.9	mA
			264 MHz	1.3	213.1	204.9	55.2	
			240 MHz	1.2	178.1	171.3	46.3	
			216 MHz	1.2	160.9	154.7	42.0	
			192 MHz	1.1	130.8	125.8	34.2	
			168 MHz	1.1	115.0	110.5	30.2	
			144 MHz	1.0	97.5	94.1	24.3	
			120 MHz	1.0	82.1	79.2	20.9	
			108 MHz	1.0	74.1	71.5	19.1	
			72 MHz	1.0	50.1	48.4	13.4	
			48 MHz	1.0	34.4	33.2	9.86	
			36 MHz	1.0	26.3	25.4	7.91	
			24 MHz	1.0	18.5	17.9	6.23	
			16 MHz	1.0	13.0	12.6	4.83	
			8 MHz	1.0	7.08	6.89	3.19	
			4 MHz	1.0	4.56	4.45	2.61	
			2 MHz	1.0	3.31	3.24	2.33	
		1 MHz	1.0	2.67	2.62	2.18		
		High speed internal clock (HICK) ⁽²⁾	288 MHz	1.3	231.3	222.4	59.7	mA
			264 MHz	1.3	212.7	204.5	55.0	
			240 MHz	1.2	177.8	170.9	46.1	
			216 MHz	1.2	160.6	154.4	41.7	
			192 MHz	1.1	130.6	125.6	33.9	
			168 MHz	1.1	114.8	110.3	30.0	
			144 MHz	1.0	97.3	93.9	24.0	
			120 MHz	1.0	81.9	79.0	20.7	
			108 MHz	1.0	73.9	71.2	18.7	
			72 MHz	1.0	49.9	48.1	13.1	
			48 MHz	1.0	34.1	32.9	9.54	
			36 MHz	1.0	26.0	25.1	7.57	
			24 MHz	1.0	18.2	17.6	5.88	
			16 MHz	1.0	12.7	12.3	4.48	
			8 MHz	1.0	6.73	6.54	2.84	
			4 MHz	1.0	4.21	4.11	2.25	
2 MHz	1.0		2.95	2.89	1.97			
1 MHz	1.0	2.32	2.28	1.82				

(2) External clock is 8 MHz.

(3) PLL is ON when f_{HCLK} > 8 MHz.

Table 21. Typical current consumption in Sleep mode

Symbol	Parameter	Conditions	f _{HCLK}	LDO voltage	Typ			Unit
					All peripherals enabled	All peripherals enabled except EMAC	All peripherals disabled	
I _{DD}	Supply current in Sleep mode	High speed external crystal (HEXT) ⁽¹⁾⁽²⁾	288 MHz	1.3	210.2	201.1	36.4	mA
			264 MHz	1.3	193.2	185.0	33.7	
			240 MHz	1.2	161.4	154.5	28.3	
			216 MHz	1.2	145.8	139.6	25.8	
			192 MHz	1.1	118.5	113.4	20.9	
			168 MHz	1.1	104.1	99.7	18.6	
			144 MHz	1.0	89.1	85.6	15.1	
			120 MHz	1.0	75.0	72.1	13.3	
			108 MHz	1.0	67.7	65.1	12.2	
			72 MHz	1.0	45.9	44.1	8.80	
			48 MHz	1.0	31.5	30.4	6.84	
			36 MHz	1.0	24.2	23.3	5.65	
			24 MHz	1.0	17.1	16.5	4.75	
			16 MHz	1.0	12.1	11.7	3.86	
			8 MHz	1.0	6.67	6.49	2.73	
			4 MHz	1.0	4.39	4.30	2.41	
			2 MHz	1.0	3.25	3.20	2.25	
		1 MHz	1.0	2.68	2.65	2.17		
		High speed internal clock (HICK) ⁽²⁾	288 MHz	1.3	209.8	200.8	36.1	mA
			264 MHz	1.3	192.9	184.6	33.4	
			240 MHz	1.2	161.1	154.2	28.0	
			216 MHz	1.2	145.5	139.3	25.5	
			192 MHz	1.1	118.3	113.2	20.6	
			168 MHz	1.1	103.9	99.5	18.3	
			144 MHz	1.0	88.9	85.4	14.8	
			120 MHz	1.0	74.8	71.9	13.0	
			108 MHz	1.0	67.5	64.9	11.8	
			72 MHz	1.0	45.6	43.9	8.46	
			48 MHz	1.0	31.3	30.1	6.50	
			36 MHz	1.0	23.9	23.0	5.31	
			24 MHz	1.0	16.8	16.2	4.40	
			16 MHz	1.0	11.8	11.4	3.51	
			8 MHz	1.0	6.33	6.15	2.38	
			4 MHz	1.0	4.05	3.95	2.06	
2 MHz	1.0		2.91	2.86	1.90			
1 MHz	1.0	2.34	2.31	1.82				

(1) External clock is 8 MHz.

(2) PLL is ON when f_{HCLK} > 8 MHz.

Table 22. Maximum current consumption in Run mode

Symbol	Parameter	Conditions	f _{HCLK}	LDO voltage	Max		Unit
					T _A = 85 °C	T _A = 105 °C	
I _{DD}	Supply current in Run mode	High speed external crystal (HEXT) ⁽¹⁾ , all peripherals enabled	288 MHz	1.3	275.7 ⁽²⁾	298.5 ⁽²⁾	mA
			240 MHz	1.2	211.1	229.9	
			192 MHz	1.1	154.5	170.2	
			144 MHz	1.0	115.2	127.6	
			120 MHz	1.0	98.9	111.3	
			108 MHz	1.0	90.5	102.9	
			72 MHz	1.0	65.3	77.7	
			48 MHz	1.0	48.9	61.5	
			36 MHz	1.0	40.5	52.9	
			24 MHz	1.0	32.3	44.6	
			16 MHz	1.0	26.6	38.9	
			8 MHz	1.0	20.5	32.6	
		High speed external crystal (HEXT) ⁽¹⁾ , all peripherals enabled except EMAC	288 MHz	1.3	266.0 ⁽²⁾	288.9 ⁽²⁾	mA
			240 MHz	1.2	203.9	222.5	
			192 MHz	1.1	149.7	164.8	
			144 MHz	1.0	111.9	123.9	
			120 MHz	1.0	96.1	108.4	
			108 MHz	1.0	88.0	100.1	
			72 MHz	1.0	63.7	75.8	
			48 MHz	1.0	47.9	60.2	
			36 MHz	1.0	39.7	52.1	
			24 MHz	1.0	31.9	44.1	
			16 MHz	1.0	26.3	38.6	
			8 MHz	1.0	20.4	32.6	
		High speed external crystal (HEXT) ⁽¹⁾ , all peripherals disabled	288 MHz	1.3	88.8	111.5	mA
			240 MHz	1.2	68.8	86.8	
			192 MHz	1.1	51.6	66.5	
			144 MHz	1.0	38.0	50.1	
			120 MHz	1.0	34.5	46.8	
			108 MHz	1.0	32.6	44.7	
			72 MHz	1.0	26.8	38.9	
			48 MHz	1.0	23.2	35.4	
			36 MHz	1.0	21.2	33.4	
24 MHz	1.0		19.5	31.8			
16 MHz	1.0		18.0	30.3			
8 MHz	1.0		16.4	28.5			

(1) External clock is 8 MHz. PLL is ON when f_{HCLK} > 8 MHz.

(2) Exceed the total value; for reference only.

Table 23. Maximum current consumption in Sleep mode

Symbol	Parameter	Conditions	f _{HCLK}	LDO voltage	Max		Unit
					T _A = 85 °C	T _A = 105 °C	
I _{DD}	Supply current in Sleep mode	High speed external crystal (HEXT) ⁽¹⁾ , all peripherals enabled	288 MHz	1.3	253.5 ⁽²⁾	276.7 ⁽²⁾	mA
			240 MHz	1.2	194.2	212.9	
			192 MHz	1.1	142.4	157.7	
			144 MHz	1.0	107.0	119.1	
			120 MHz	1.0	92.0	104.2	
			108 MHz	1.0	84.3	96.6	
			72 MHz	1.0	61.2	73.5	
			48 MHz	1.0	46.1	58.3	
			36 MHz	1.0	38.4	50.6	
			24 MHz	1.0	31.0	43.1	
			16 MHz	1.0	25.8	37.9	
			8 MHz	1.0	20.1	32.1	
		High speed external crystal (HEXT) ⁽¹⁾ , all peripherals enabled except EMAC	288 MHz	1.3	244.0	267.0 ⁽²⁾	mA
			240 MHz	1.2	186.9	205.6	
			192 MHz	1.1	137.2	152.2	
			144 MHz	1.0	103.4	115.4	
			120 MHz	1.0	88.9	101.0	
			108 MHz	1.0	81.5	93.7	
			72 MHz	1.0	59.3	71.5	
			48 MHz	1.0	44.9	57.1	
			36 MHz	1.0	37.5	49.7	
			24 MHz	1.0	30.4	42.5	
			16 MHz	1.0	25.4	37.4	
			8 MHz	1.0	19.9	32.0	
		High speed external crystal (HEXT) ⁽¹⁾ , all peripherals disabled	288 MHz	1.3	64.5	86.7	mA
			240 MHz	1.2	50.5	68.6	
			192 MHz	1.1	38.4	53.2	
			144 MHz	1.0	28.9	41.0	
			120 MHz	1.0	27.0	39.1	
			108 MHz	1.0	25.9	38.1	
			72 MHz	1.0	22.3	34.5	
			48 MHz	1.0	20.3	32.3	
			36 MHz	1.0	19.1	31.2	
24 MHz	1.0		18.1	30.0			
16 MHz	1.0		17.2	29.1			
8 MHz	1.0		16.1	28.0			

(1) External clock is 8 MHz. PLL is ON when f_{HCLK} > 8 MHz.

(2) Exceed the total value; for reference only.

Table 24. Typical and maximum current consumptions in Deepsleep and Standby modes

Symbol	Parameter	Conditions	Typ ⁽¹⁾		Max ⁽²⁾			Unit	
			V _{DD} = 2.6 V	V _{DD} = 3.3 V	T _A = 25 °C	T _A = 85 °C	T _A = 105 °C		
I _{DD}	Supply current in Deepsleep mode	LDO in normal mode, 1.2 V output, HICK and HEXTE OFF, WDT disabled	2.21	2.22	See ⁽³⁾	23.2	40.6	mA	
		LDO in low-power mode, 1.0 V output, HICK and HEXTE OFF, WDT disabled	1.24	1.25		14.3	25.7		
I _{DD}	Supply current in Standby mode	LEXTE and ERTC OFF	AT32F435/437xD	13.0	15.8	18.9	24.1	30.3	μA
			Others	9.2	10.9	12.5	17.1	23.2	
	LEXTE and ERTC ON	AT32F435/437xD	14.5	18.8	21.0	26.4	32.7		
		Others	10.6	13.5	14.6	19.3	25.9		

- (1) Typical values are measured at T_A = 25 °C.
- (2) Guaranteed by characterization results, not tested in production.
- (3) This value may be several times the typical value due to process variations.

Figure 10. Typical current consumption in Deepsleep mode with regulator in run mode and output 1.2 V vs. temperature at different V_{DD}

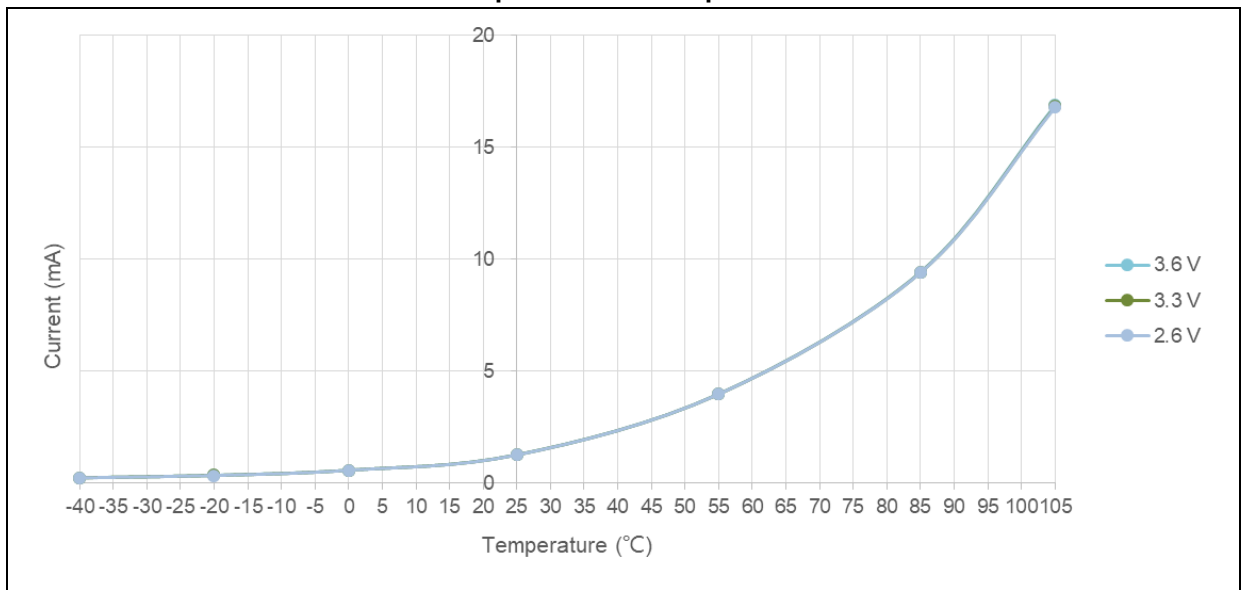


Figure 11. Typical current consumption in Deepsleep mode with regulator in low-power mode and output 1.0 V vs. temperature at different V_{DD}

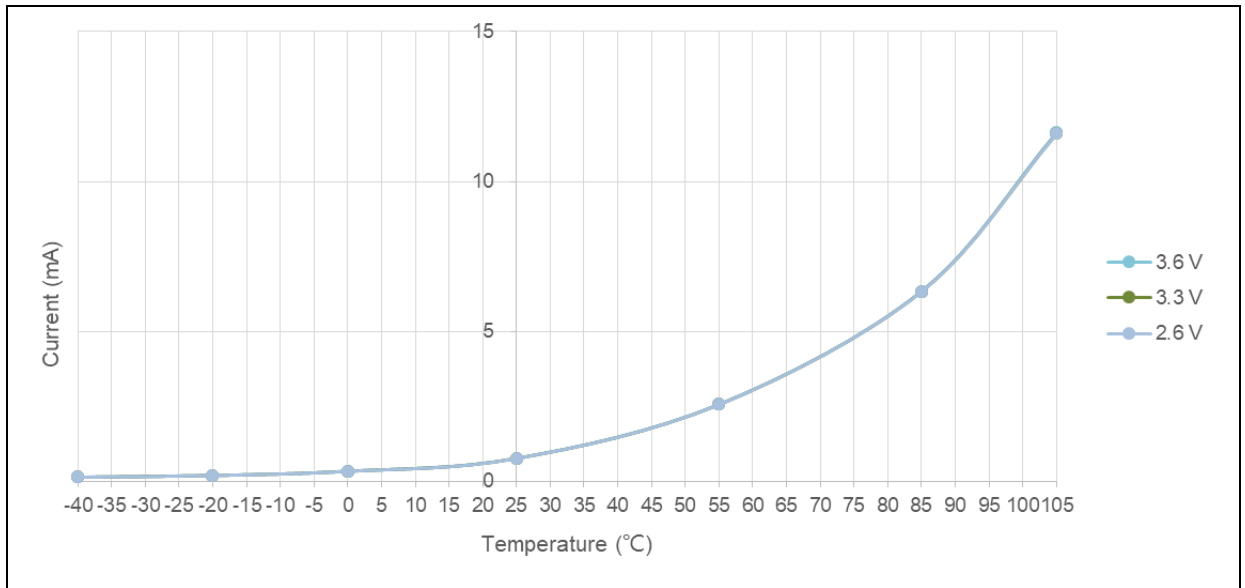


Figure 12. Typical current consumption in Standby mode vs. temperature at different V_{DD} (AT32F435/437xD)

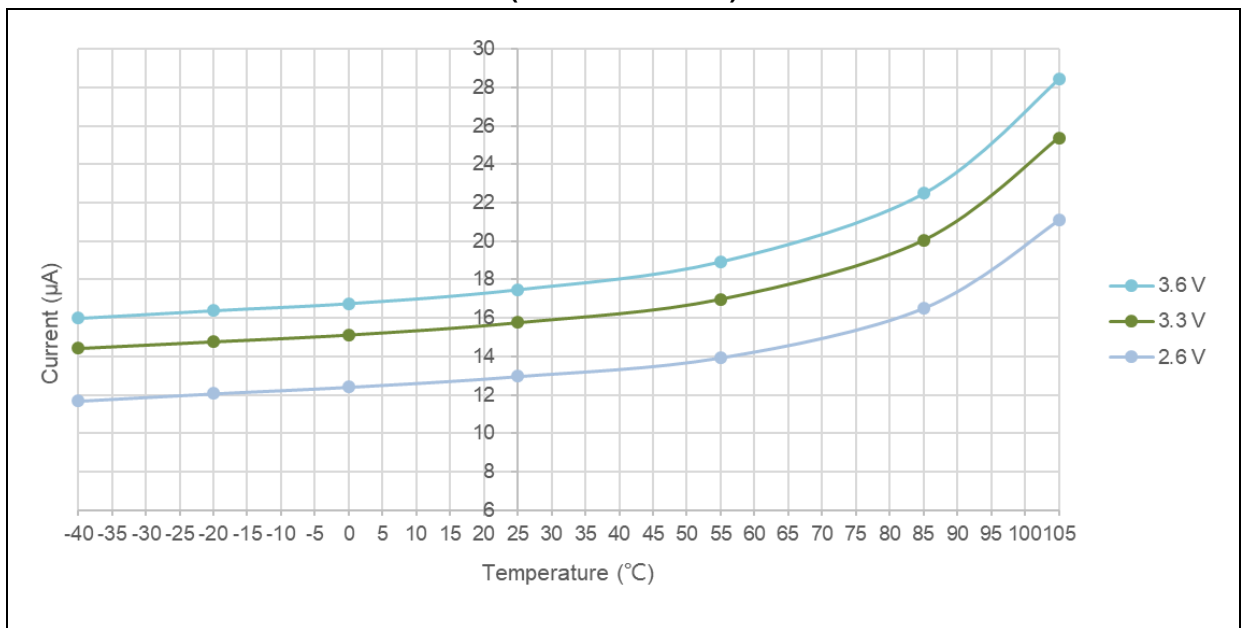


Figure 13. Typical current consumption in Standby mode vs. temperature at different V_{DD} (others)

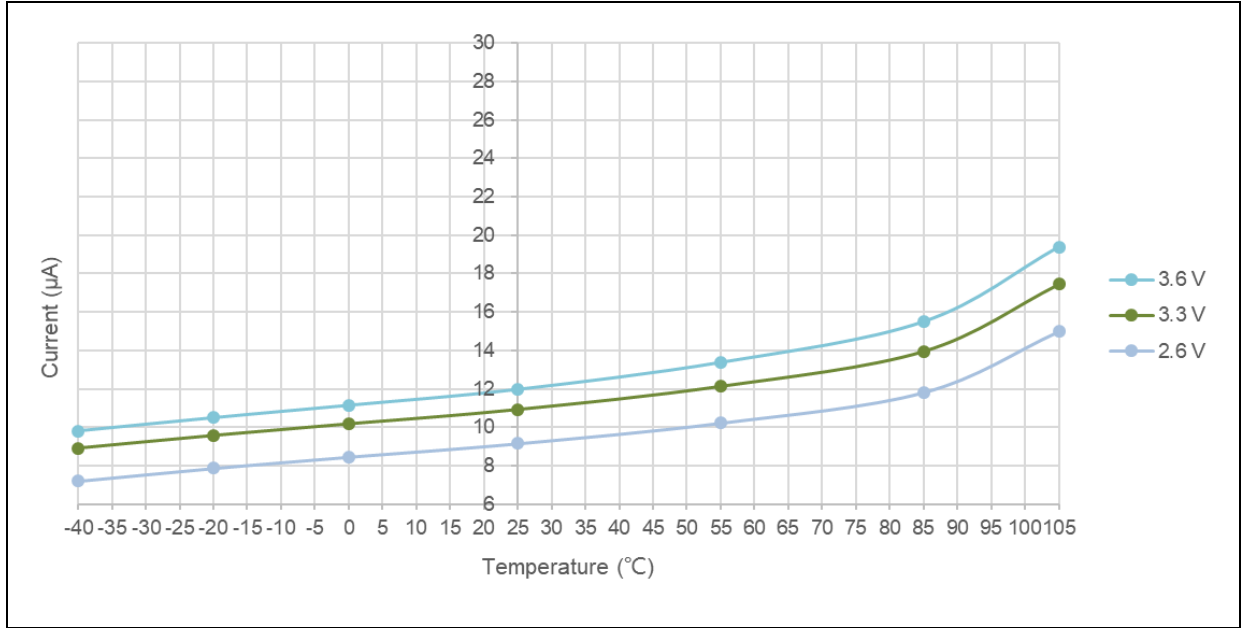


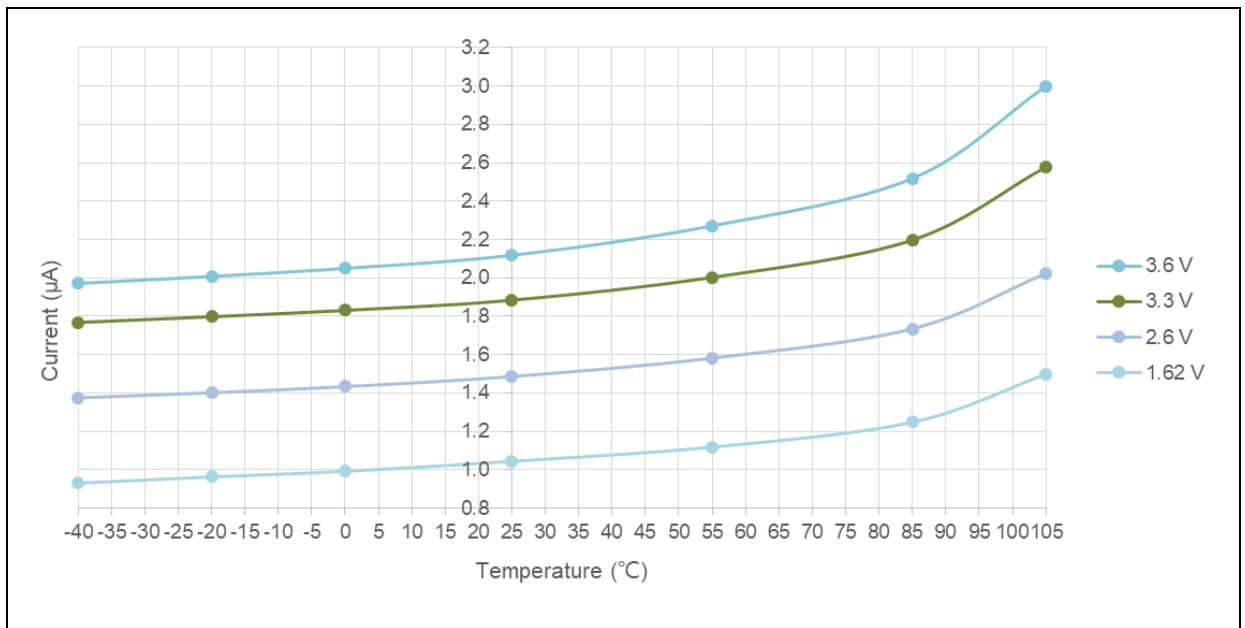
Table 25. Typical and maximum current consumptions on V_{BAT}

Symbol	Parameter	Conditions	Typ ⁽¹⁾			Max ⁽²⁾			Unit
			V _{BAT} = 1.62 V	V _{BAT} = 2.6 V	V _{BAT} = 3.3 V	T _A = 25 °C	T _A = 85 °C	T _A = 105 °C	
I _{DD_VBAT}	Supply current of V _{BAT}	LEXTC and ERTC ON, V _{DD} < V _{LVR}	1.04	1.49	1.89	2.29	2.70	3.23	µA

(1) Typical values are measured at T_A = 25 °C.

(2) Guaranteed by characterization results, not tested in production.

Figure 14. Typical current consumption on V_{BAT} with LEXTC and ERTC ON vs. temperature at different V_{BAT}



On-chip peripheral current consumption

The MCU is placed under the following conditions:

- All GPIO pins are in analog mode.
- The given value is calculated by measuring the current consumption difference between “all peripherals clocked OFF” and “only one peripheral clocked ON”.

Table 26. Peripheral current consumption

Peripheral		Typ				Unit
		LDO = 1.3 V	LDO = 1.2 V	LDO = 1.1 V	LDO = 1.0 V	
AHB	DMA1	14.67	13.39	12.21	11.08	μA/MHz
	DMA2	14.85	13.56	12.36	11.22	
	EDMA	68.04	62.02	56.48	51.21	
	GPIOA	2.68	2.46	2.24	2.04	
	GPIOB	2.66	2.44	2.21	2.02	
	GPIOC	2.65	2.42	2.22	2.02	
	GPIOD	2.58	2.38	2.17	1.98	
	GPIOE	2.67	2.46	2.23	2.04	
	GPIOF	2.58	2.37	2.16	1.97	
	GPIOG	2.64	2.42	2.20	2.02	
	GPIOH	2.59	2.39	2.18	1.99	
	XMC	43.05	39.29	35.81	32.47	
	QSPI1	49.85	45.54	41.53	37.69	
	QSPI2	50.05	45.66	41.59	37.72	
	CRC	1.74	1.60	1.46	1.34	
	SDIO1	20.30	18.51	16.86	15.28	
	SDIO2	20.56	18.76	17.12	15.54	
	OTGFS1	58.65	53.58	48.87	44.36	
	OTGFS2	59.09	53.96	49.17	44.62	
DVP	8.12	7.42	6.76	6.15		
EMAC EMAC_TX EMAC_RX EMAC_PTP	32.68	29.84	27.21	24.69		
APB1	TMR2	12.43	11.33	10.32	9.37	
	TMR3	9.11	8.30	7.57	6.86	
	TMR4	9.29	8.47	7.71	7.00	
	TMR5	12.17	11.12	10.13	9.20	
	TMR6	1.71	1.58	1.44	1.31	
	TMR7	1.59	1.47	1.34	1.22	
	TMR12	5.54	5.07	4.63	4.22	
	TMR13	3.59	3.31	3.01	2.74	
	TMR14	3.71	3.42	3.12	2.85	
	WWDT	0.79	0.73	0.67	0.61	
	SPI2/I ² S2	10.21	9.34	8.52	7.73	
	SPI3/I ² S3	7.80	7.16	6.53	5.95	

Peripheral		Typ				Unit
		LDO = 1.3 V	LDO = 1.2 V	LDO = 1.1 V	LDO = 1.0 V	
APB1	USART2	3.14	2.87	2.62	2.38	μA/MHz
	USART3	3.09	2.83	2.58	2.35	
	UART4	3.04	2.78	2.53	2.31	
	UART5	2.96	2.72	2.47	2.25	
	I ² C1	7.28	6.66	6.07	5.52	
	I ² C2	7.31	6.69	6.09	5.54	
	I ² C3	7.25	6.64	6.06	5.51	
	CAN1	4.92	4.51	4.11	3.75	
	CAN2	4.56	4.18	3.81	3.48	
	PWC	0.55	0.54	0.48	0.46	
	DAC	2.72	2.50	2.28	2.08	
	UART7	3.06	2.80	2.56	2.33	
	UART8	3.07	2.80	2.56	2.33	
APB2	TMR1	13.26	12.11	11.04	10.02	
	TMR8	13.44	12.28	11.21	10.17	
	USART1	3.24	2.97	2.71	2.47	
	USART6	3.44	3.15	2.87	2.62	
	ADC1	15.11	13.80	12.56	11.40	
	ADC2	15.02	13.70	12.49	11.34	
	ADC3	14.95	13.65	12.44	11.30	
	SPI1/I ² S1	5.70	5.22	4.77	4.33	
	SPI4/I ² S4	3.67	3.36	3.07	2.80	
	SCFG	0.95	0.88	0.80	0.74	
	TMR9	5.89	5.40	4.93	4.48	
	TMR10	3.72	3.41	3.12	2.84	
	TMR11	3.97	3.63	3.31	3.02	
TMR20	12.88	11.74	10.69	9.70		
ACC	1.12	1.02	0.93	0.86		

5.3.6 External clock source characteristics

High-speed external clock generated from a crystal / ceramic resonator

The high-speed external (HEXT) clock can be supplied with a 4 to 25 MHz crystal/ceramic resonator oscillator. All the information given in this paragraph are based on characterization results obtained with typical external components specified in the table below. In the application, the resonator and the load capacitors have to be placed as close as possible to the oscillator pins in order to minimize output distortion and startup stabilization time. Refer to the crystal resonator manufacturer for more details on the resonator characteristics (frequency, package, accuracy).

Table 27. HEXT 4 ~ 25 MHz crystal characteristics ⁽¹⁾⁽²⁾

Symbol	Parameter	Conditions	Min	Typ	Max	Unit
$f_{\text{HEXT_IN}}$	Oscillator frequency	-	4	8	25	MHz
$t_{\text{SU(HEXT)}}^{(3)}$	Startup time	V_{DD} is stabilized	-	2	-	ms

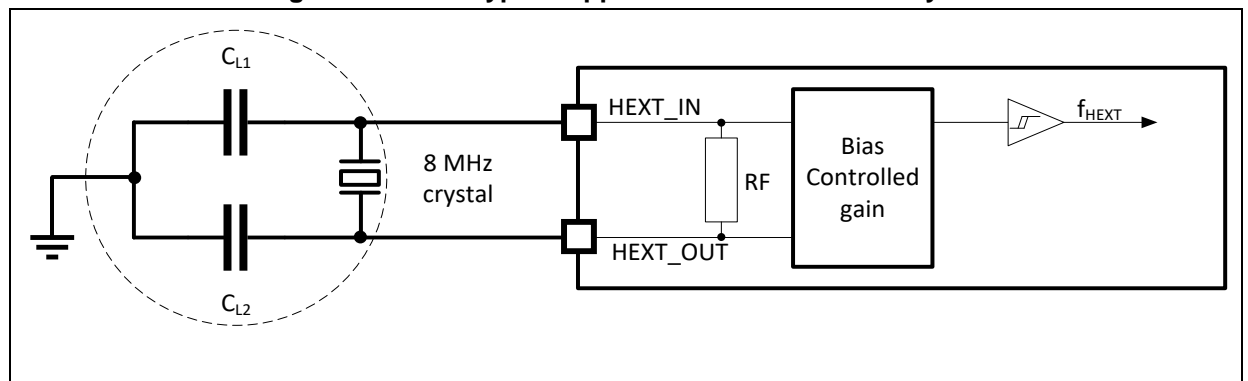
(1) Oscillator characteristics given by the crystal/ceramic resonator manufacturer.

(2) Guaranteed by characterization results, not tested in production.

(3) $t_{\text{SU(HEXT)}}$ is the startup time measured from the moment HEXT is enabled (by software) to a stabilized 8 MHz oscillation is reached. This value is measured for a standard crystal resonator and it can vary significantly with the crystal manufacturer.

For C_{L1} and C_{L2} , it is recommended to use high-quality external ceramic capacitors in the 5 pF to 25 pF range (typ.), designed for high-frequency applications, and select to match the requirements of the crystal or resonator. C_{L1} and C_{L2} are usually the same size. The crystal manufacturer typically specifies a load capacitance which is the series combination of C_{L1} and C_{L2} . PCB and MCU pin capacitance must be included (10 pF can be used as a rough estimate of the combined pin and board capacitance) when sizing C_{L1} and C_{L2} .

Figure 15. HEXT typical application with an 8 MHz crystal



High-speed external clock generated from an external source

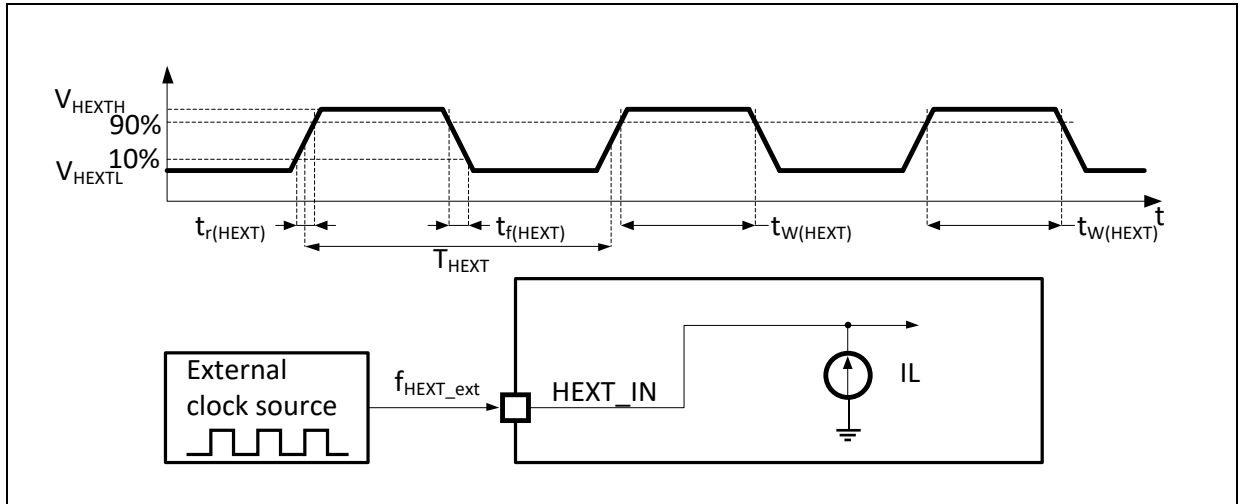
The characteristics given in the table below result from tests performed using a high-speed external clock source.

Table 28. HEXT external source characteristics

Symbol	Parameter	Conditions	Min	Typ	Max	Unit
$f_{\text{HEXT_ext}}$	User external clock source frequency ⁽¹⁾	-	1	8	25	MHz
V_{HEXTH}	HEXT_IN input pin high level voltage		$0.7V_{\text{DD}}$	-	V_{DD}	V
V_{HEXTL}	HEXT_IN input pin low level voltage		V_{SS}	-	$0.3V_{\text{DD}}$	
$t_{\text{w(HEXT)}}$ $t_{\text{w(HEXT)}}$	HEXT_IN high or low time ⁽¹⁾		5	-	-	ns
$t_{\text{r(HEXT)}}$ $t_{\text{r(HEXT)}}$	HEXT_IN rise or fall time ⁽¹⁾	-	-	20		
$C_{\text{in(HEXT)}}$	HEXT_IN input capacitance ⁽¹⁾	-	-	5	-	pF
Duty(HEXT)	Duty cycle	-	45	-	55	%
I_{L}	HEXT_IN input leakage current	$V_{\text{SS}} \leq V_{\text{IN}} \leq V_{\text{DD}}$	-	-	± 1	μA

(1) Guaranteed by design, not tested in production.

Figure 16. HEXT external source AC timing diagram



Low-speed external clock generated from a crystal / ceramic resonator

The low-speed external (LEXT) clock can be supplied with a 32.768 kHz crystal/ceramic resonator oscillator. All the information given in this paragraph are based on characterization results obtained with typical external components specified in the table below. In the application, the resonator and the load capacitors have to be placed as close as possible to the oscillator pins in order to minimize output distortion and startup stabilization time. Refer to the crystal resonator manufacturer for more details on the resonator characteristics (frequency, package, accuracy).

Table 29. LEXT 32.768 kHz crystal characteristics ⁽¹⁾⁽²⁾

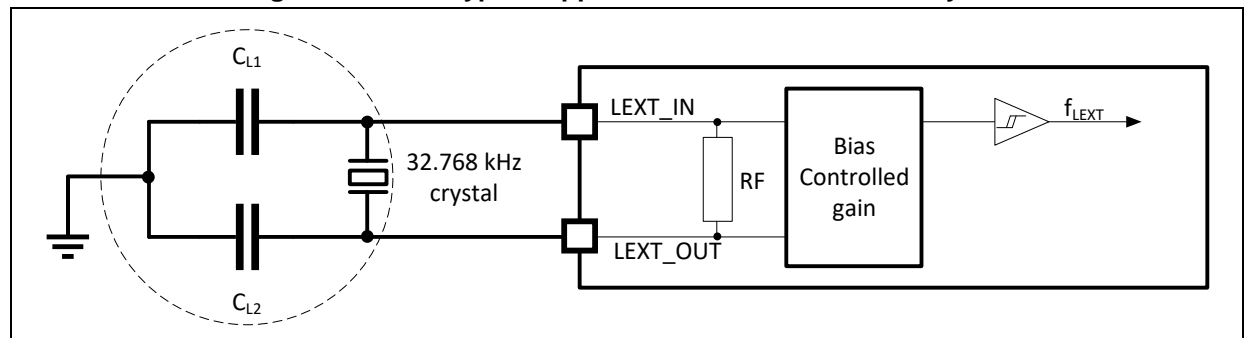
Symbol	Parameter	Conditions	Min	Typ	Max	Unit
$t_{SU(LEXT)}$	Startup time	V_{DD} is stabilized	-	200	-	ms

- (1) Oscillator characteristics given by the crystal/ceramic resonator manufacturer.
 (2) Guaranteed by characterization results, not tested in production.

For C_{L1} and C_{L2} , it is recommended to use high-quality ceramic capacitors in the 5 pF to 20 pF range selected to meet the requirements of the crystal or resonator. C_{L1} and C_{L2} , are usually the same size. The crystal manufacturer typically specifies a load capacitance which is the series combination of C_{L1} and C_{L2} .

Load capacitance C_L is based on the following formula: $C_L = C_{L1} \times C_{L2} / (C_{L1} + C_{L2}) + C_{stray}$, where C_{stray} is the pin capacitance and board or trace PCB-related capacitance. Typically, it is between 2 pF and 7 pF.

Figure 17. LEXT typical application with a 32.768 kHz crystal



Note: No external resistor is required between *LEXT_IN* and *LEXT_OUT*, and it is also prohibited to add it.

Low-speed external clock generated from an external source

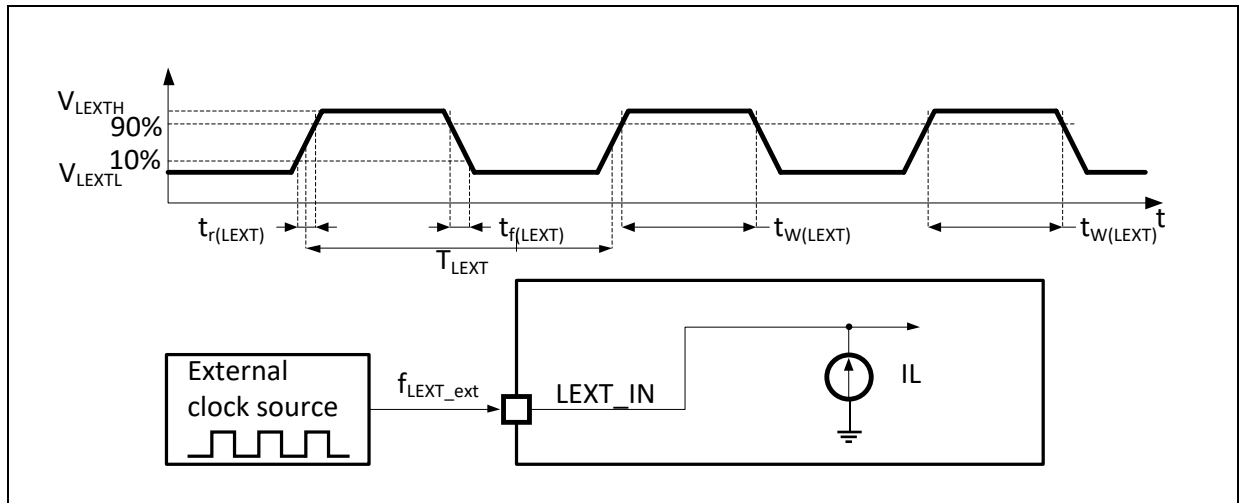
The characteristics given in the table below come from tests performed using a low-speed external clock source.

Table 30. LEXT external source characteristics

Symbol	Parameter	Conditions	Min	Typ	Max	Unit	
f_{LEXT_ext}	User external clock source frequency ⁽¹⁾	-	-	32.768	1000	kHz	
V_{LEXTH}	LEXT_IN input pin high level voltage		$0.7V_{DD}$	-	V_{DD}		V
V_{LEXTL}	LEXT_IN input pin low level voltage		V_{SS}	-	$0.3V_{DD}$		
$t_{w(LEXT)}$ $t_{w(LEXT)}$	LEXT_IN high or low time ⁽¹⁾		450	-	-	ns	
$t_{r(LEXT)}$ $t_{f(LEXT)}$	LEXT_IN rise or fall time ⁽¹⁾		-	-	50		
$C_{in(LEXT)}$	LEXT_IN input capacitance ⁽¹⁾		-	-	5	-	pF
Duty(LEXT)	Duty cycle		-	30	-	70	%
I_L	LEXT_IN input leakage current	$V_{SS} \leq V_{IN} \leq V_{DD}$	-	-	± 1	μA	

(1) Guaranteed by design, not tested in production.

Figure 18. LEXT external source AC timing diagram



5.3.7 Internal clock source characteristics

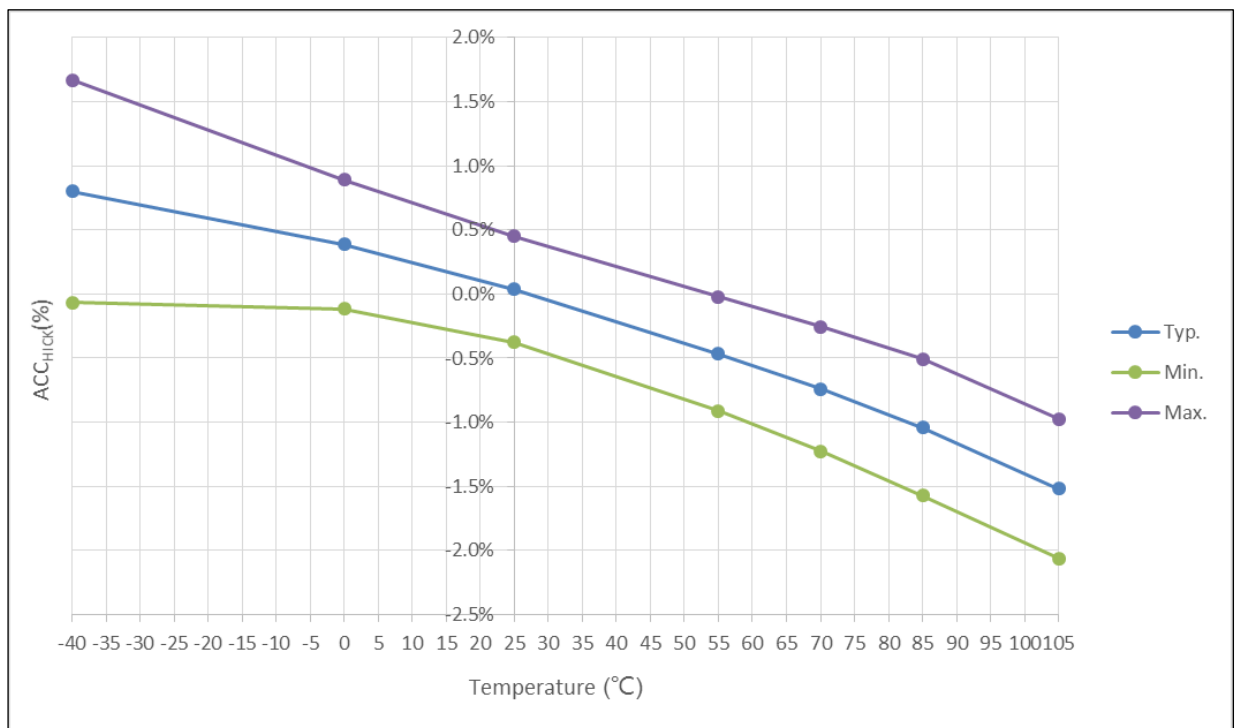
High-speed internal clock (HICK)

Table 31. HICK clock characteristics

Symbol	Parameter	Conditions	Min	Typ	Max	Unit	
f_{HICK}	Frequency	-	-	48	-	MHz	
$DuCy_{(HICK)}$	Duty cycle	-	45	-	55	%	
ACC_{HICK}	Accuracy of the HICK oscillator	User-trimmed with the CRM_CTRL register	-	-	1 ⁽¹⁾	%	
		ACC-trimmed	-	-	0.25 ⁽¹⁾		
		Factory-calibrated ⁽²⁾	$T_A = -40 \sim 105 \text{ }^\circ\text{C}$	-2.5	-		2.5
			$T_A = -40 \sim 85 \text{ }^\circ\text{C}$	-2	-		2
			$T_A = 0 \sim 70 \text{ }^\circ\text{C}$	-1.5	-		1.5
$T_A = 25 \text{ }^\circ\text{C}$	-1		0.5	1			
$ts_{U(HICK)}^{(2)}$	HICK oscillator startup time	-	-	-	10	μs	
$I_{DD(HICK)}^{(2)}$	HICK oscillator power consumption	-	-	255	325	μA	

(1) Guaranteed by design, not tested in production.

(2) Guaranteed by characterization results, not tested in production.

Figure 19. HICK clock frequency accuracy vs. temperature


Low-speed internal clock (LICK)

Table 32. LICK clock characteristics

Symbol	Parameter	Conditions	Min	Typ	Max	Unit
$f_{LICK}^{(1)}$	Frequency	-	30	40	60	kHz

(1) Guaranteed by characterization results, not tested in production.

5.3.8 PLL characteristics

Table 33. PLL characteristics

Symbol	Parameter	Min ⁽¹⁾	Typ	Max ⁽¹⁾	Unit
f _{PLL_IN}	PLL input clock ⁽²⁾	2	8	16	MHz
	PLL input clock duty cycle	40	-	60	%
f _{PLL_OUT}	PLL multiplier output clock	16	-	288	MHz
t _{LOCK}	PLL lock time	-	-	200	μs
Jitter	Cycle-to-cycle jitter	-	-	300	ps

(1) Guaranteed by design, not tested in production.

(2) Take care of using the appropriate multiplier factors to ensure that PLL input clock values are compatible with the range defined by f_{PLL_OUT}.

5.3.9 Wakeup time from low-power mode

The wakeup times given in the table below is measured on a wakeup phase with the HICK. The clock source used to wake up the device depends from the current operating mode:

- Sleep mode: the clock source is the clock that was configured before entering Sleep mode.
- Deepsleep or Standby mode: the clock source is the HICK.

Table 34. Low-power mode wakeup time

Symbol	Parameter	Conditions	Typ	Unit
t _{WUSLEEP}	Wakeup from Sleep mode	-	1.8	μs
t _{WUDEEPSLEEP}	Wakeup from Deepsleep mode	LDO in normal mode	330	μs
		LDO in low-power mode	360	
t _{WUSTDBY}	Wakeup from Standby mode	ZW = 128 Kbytes	5	ms
		ZW = 256 Kbytes	10	
		ZW = 512 Kbytes	20	

5.3.10 EMC characteristics

Susceptibility tests are performed on a sample basis during device characterization.

Functional EMS (electromagnetic susceptibility)

- **EFT:** A Burst of Fast Transient voltage (positive and negative) is applied to V_{DD} and V_{SS} through a coupling/decoupling network, until a functional disturbance occurs. This test is compliant with the IEC 61000-4-4 standard.

Table 35. EMS characteristics

Symbol	Parameter	Conditions	Level/Class
V _{EFT}	Fast transient voltage burst limits to be applied through coupling/decoupling network conforms to IEC 61000-4-4 on V _{DD} and V _{SS} pins to induce a functional disturbance, V _{DD} and V _{SS} input has one 47 μF capacitor and each V _{DD} and V _{SS} pin pair 0.1 μF.	V _{DD} = 3.3 V, LQFP144, T _A = +25 °C, f _{HCLK} = 288 MHz, LDO = 1.3 V, NZW_BST = 0, conforming to IEC 61000-4-4	4A (±4 kV)
		V _{DD} = 3.3 V, LQFP144, T _A = +25 °C, f _{HCLK} = 160 MHz, LDO = 1.2 V, NZW_BST = 1, conforming to IEC 61000-4-4	

EMC characterization and optimization are performed at component level with a typical application environment. It should be noted that good EMC performance is highly dependent on the user application and the software in particular. Therefore it is recommended that the user applies EMC software optimization and prequalification tests in relation with the EMC level requested for his application.

5.3.11 GPIO port characteristics

General input/output characteristics

All GPIOs are CMOS and TTL compliant.

Table 36. GPIO static characteristics

Symbol	Parameter	Conditions	Min	Typ	Max	Unit
V _{IL}	GPIO input low level voltage	-	-0.3	-	0.28 × V _{DD} + 0.1	V
V _{IH}	TC input high level voltage	-	0.31 × V _{DD} + 0.8	-	V _{DD} + 0.3	V
	FTa input high level voltage	Analog mode				
	FT and FTf input high level voltage	-				
	FTa input high level voltage	Input floating, input pull-up, or input pull-down mode			5.5	
V _{hys}	Schmitt trigger voltage hysteresis ⁽¹⁾	-	200	-	-	mV
		-	5% V _{DD}	-	-	-
I _{lkg}	Input floating leakage current ⁽²⁾	V _{SS} ≤ V _{IN} ≤ V _{DD} TC GPIO	-	-	±1	μA
		V _{SS} ≤ V _{IN} ≤ 5.5V FT, FTf and FTa GPIOs	-	-	±1	
R _{PU}	Weak pull-up equivalent resistor ⁽³⁾	V _{IN} = V _{SS}	60	70	100	kΩ
R _{PD}	Weak pull-down equivalent resistor ³⁾⁽⁴⁾	V _{IN} = V _{DD}	60	70	100	kΩ
C _{IO}	GPIO pin capacitance	-	-	9	-	pF

(1) Hysteresis voltage between Schmitt trigger switching levels. Guaranteed by characterization results, not tested in production.

(2) Leakage could be higher than max if negative current is injected on adjacent pins.

(3) Internal pull-up/pull-down resistors must be disabled when the FT, FTf and FTa input voltage is higher than V_{DD} + 0.3 V.

(4) The pull-down resistor of BOOT0 exists permanently.

All GPIOs are CMOS and TTL compliant (no software configuration required). Their characteristics take into account the strict CMOS-technology or TTL parameters.

Output driving current

In the user application, the number of GPIO pins which can drive current must be controlled to respect the absolute maximum rating defined in Section 5.2.1.

- The sum of the currents sourced by all GPIOs on V_{DD}, plus the maximum Run consumption of the MCU sourced on V_{DD}, cannot exceed the absolute maximum rating I_{VDD} (see Table 11).

- The sum of the currents sunk by all GPIOs on V_{SS} , plus the maximum Run consumption of the MCU sunk on V_{SS} , cannot exceed the absolute maximum rating I_{VSS} (see [Table 11](#)).

Output voltage levels

All GPIOs are CMOS and TTL compliant.

Table 37. Output voltage characteristics

Symbol	Parameter	Conditions	Min	Max	Unit
Maximum sourcing/sinking strength					
V_{OL}	Output low level voltage	CMOS standard, $I_{IO} = 15\text{ mA}$	-	0.4	V
V_{OH}	Output high level voltage		$V_{DD}-0.4$	-	
V_{OL}	Output low level voltage	TTL standard, $I_{IO} = 6\text{ mA}$	-	0.4	V
V_{OH}	Output high level voltage		2.4	-	
Large sourcing/sinking strength					
V_{OL}	Output low level voltage	CMOS standard, $I_{IO} = 6\text{ mA}$	-	0.4	V
V_{OH}	Output high level voltage		$V_{DD}-0.4$	-	
V_{OL}	Output low level voltage	TTL standard, $I_{IO} = 3\text{ mA}$	-	0.4	V
V_{OH}	Output high level voltage		2.4	-	
$V_{OL}^{(1)}$	Output low level voltage	$I_{IO} = 20\text{ mA}$	-	1.3	V
$V_{OH}^{(1)}$	Output high level voltage		$V_{DD}-1.3$	-	
Normal sourcing/sinking strength					
V_{OL}	Output low level voltage	CMOS standard, $I_{IO} = 4\text{ mA}$	-	0.4	V
V_{OH}	Output high level voltage		$V_{DD}-0.4$	-	
V_{OL}	Output low level voltage	TTL standard, $I_{IO} = 2\text{ mA}$	-	0.4	V
V_{OH}	Output high level voltage		2.4	-	
$V_{OL}^{(1)}$	Output low level voltage	$I_{IO} = 10\text{ mA}$	-	1.3	V
$V_{OH}^{(1)}$	Output high level voltage		$V_{DD}-1.3$	-	
Ultra high sourcing/sinking strength ⁽²⁾					
V_{OL}	Output low level voltage	$I_{IO} = 20\text{ mA}$	-	0.4	V

(1) Guaranteed by characterization results, not tested in production.

(2) When GPIO ultra high sinking strength is enabled, its V_{OH} is the same as that of maximum sourcing strength.

Input AC characteristics

The definition and values of input AC characteristics are given as follows.

Table 38. Input AC characteristics

Symbol	Parameter	Min	Max	Unit
$t_{EXINTpw}$	Pulse width of external signals detected by EXINT controller	10	-	ns

5.3.12 NRST pin characteristics

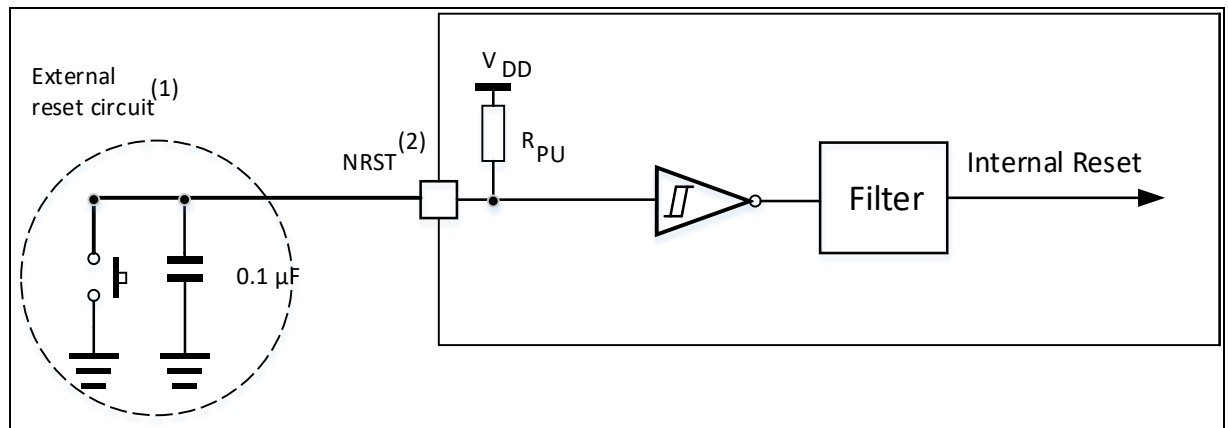
The NRST pin input driver uses CMOS technology. It is connected to a permanent pull-up resistor, R_{PU} (see the table below).

Table 39. NRST pin characteristics

Symbol	Parameter	Conditions	Min	Typ	Max	Unit
$V_{IL(NRST)}^{(1)}$	NRST input low level voltage	-	-0.5	-	0.8	V
$V_{IH(NRST)}^{(1)}$	NRST input high level voltage	-	2	-	$V_{DD} + 0.3$	
$V_{hys(NRST)}$	NRST Schmitt trigger voltage hysteresis	-	-	500	-	mV
R_{PU}	Weak pull-up equivalent resistor	$V_{IN} = V_{SS}$	30	40	50	k Ω
$t_{ILV(NRST)}^{(1)}$	NRST input low level invalid time	-	-	-	33.3	μ s
$t_{ILNV(NRST)}^{(1)}$	NRST input low level valid time	-	66.7	-	-	μ s

(1) Guaranteed by design, not tested in production.

Figure 20. Recommended NRST pin protection



(1) The reset network protects the device against parasitic resets.

(2) The user must ensure that the level on the NRST pin can go below the $V_{IL(NRST)}$ max level specified in NRST [Table 39](#). Otherwise the reset will not be performed by the device.

5.3.13 XMC (SDRAM included) characteristics

Parameters listed in the table below are guaranteed by design, not tested in production.

Asynchronous waveforms and timings of SRAM/PSRAM/NOR

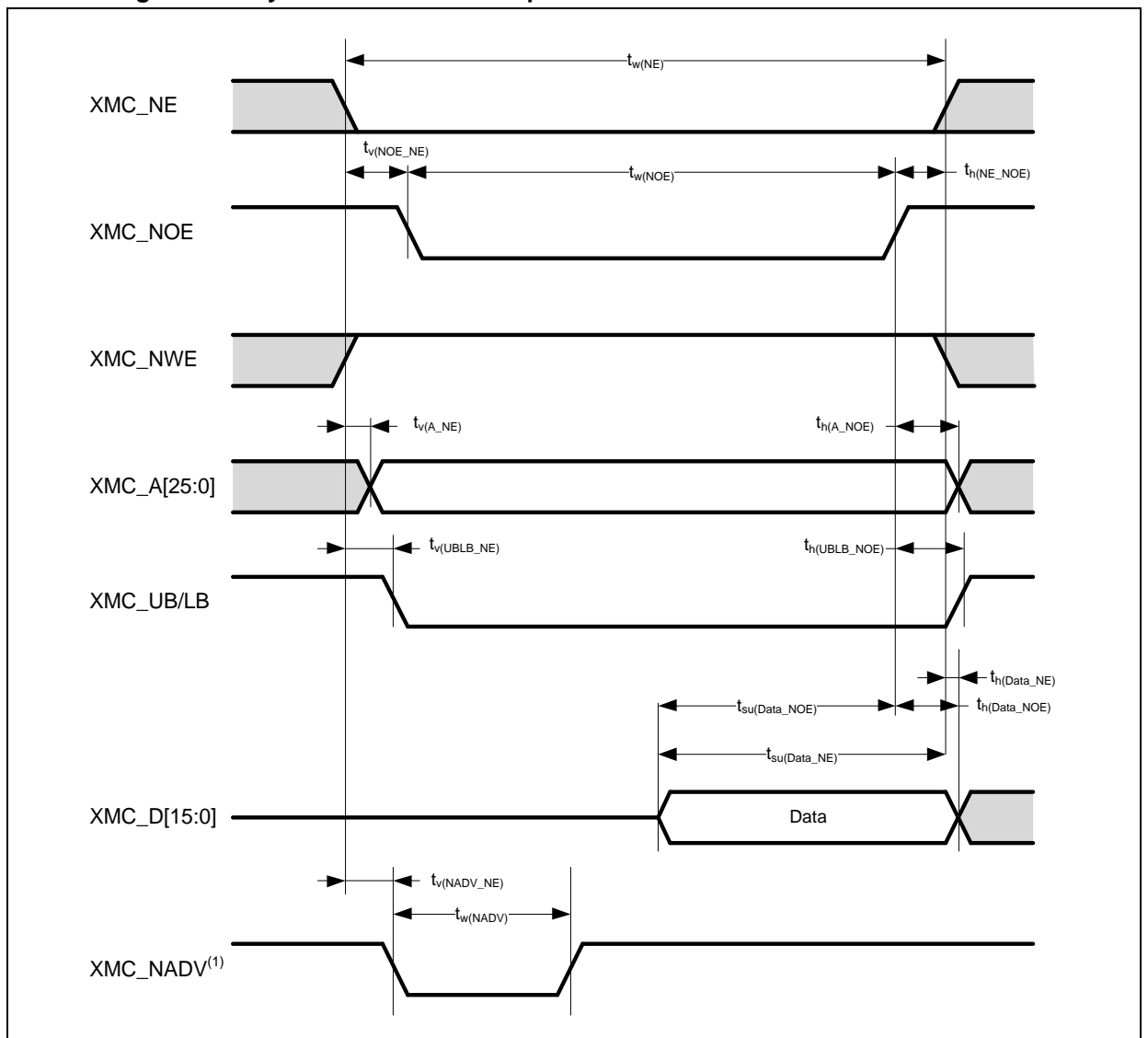
The results given in these tables are obtained with the following XMC configuration:

- AddressSetupTime = 0
- AddressHoldTime = 1
- DataSetupTime = 1

Table 40. Asynchronous non-multiplexed SRAM/PSRAM/NOR read timings

Symbol	Parameter	Min	Max	Unit
$t_{w(NE)}$	XMC_NE low time	$5t_{HCLK} - 1.5$	$5t_{HCLK} + 2$	ns
$t_{v(NO_NE)}$	XMC_NE low to XMC_NOE low valid time	0.5	1.5	ns
$t_{w(NO)}$	XMC_NOE low time	$5t_{HCLK} - 1.5$	$5t_{HCLK} + 1.5$	ns
$t_{h(NE_NOE)}$	XMC_NOE high to XMC_NE high hold time	-1.5	-	ns
$t_{v(A_NE)}$	XMC_NE low to XMC_A valid time	-	7	ns
$t_{h(A_NOE)}$	Address hold time after XMC_NOE high	2.5	-	ns
$t_{v(UBLB_NE)}$	XMC_NE low to XMC_UB/LB valid time	-	0	ns
$t_{h(UBLB_NOE)}$	XMC_UB/LB hold time after XMC_NOE high	2.5	-	ns
$t_{su(Data_NE)}$	Data to XMC_NE high setup time	$2t_{HCLK} + 25$	-	ns
$t_{su(Data_NOE)}$	Data to XMC_NOE high setup time	$2t_{HCLK} + 25$	-	ns
$t_{h(Data_NOE)}$	Data hold time after XMC_NOE high	0	-	ns
$t_{h(Data_NE)}$	Data hold time after XMC_NE high	0	-	ns
$t_{v(NADV_NE)}$	XMC_NE low to XMC_NADV low valid time	-	5	ns
$t_{w(NADV)}$	XMC_NADV low time	-	$t_{HCLK} + 1.5$	ns

Figure 21. Asynchronous non-multiplexed SRAM/PSRAM/NOR read waveforms

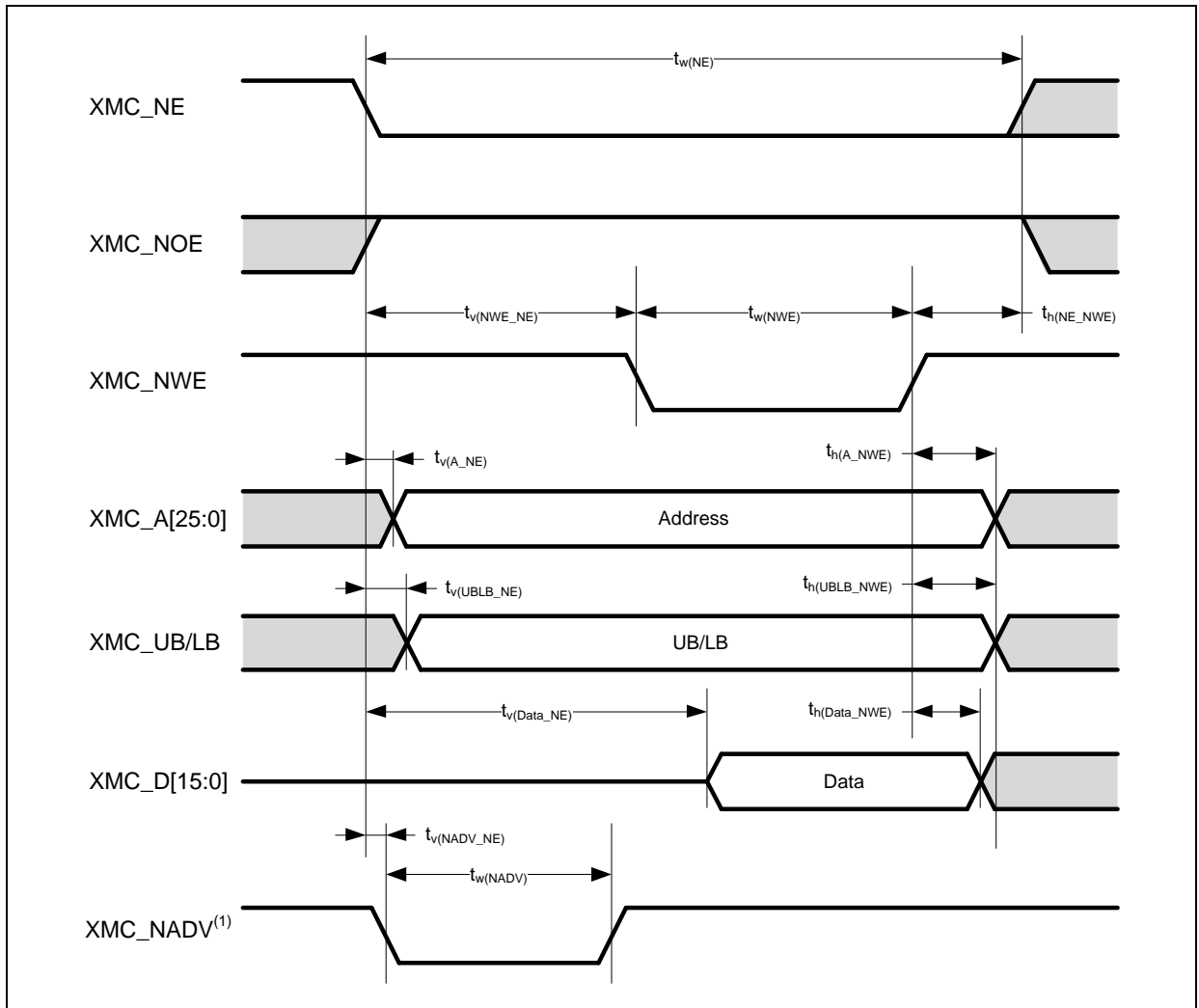


(1) Only available in mode 2/B, C and D. XMC_NADV is not used in mode 1.

Table 41. Asynchronous non-multiplexed SRAM/PSRAM/NOR write timings

Symbol	Parameter	Min	Max	Unit
$t_{w(NE)}$	XMC_NE low time	$3t_{HCLK} - 1$	$3t_{HCLK} + 2$	ns
$t_{v(NWE_NE)}$	XMC_NE low to XMC_NWE low valid time	$t_{HCLK} - 0.5$	$t_{HCLK} + 1.5$	ns
$t_{w(NWE)}$	XMC_NWE low time	$t_{HCLK} - 0.5$	$t_{HCLK} + 1.5$	ns
$t_{h(NE_NWE)}$	XMC_NWE high to XMC_NE high hold time	t_{HCLK}	-	ns
$t_{v(A_NE)}$	XMC_NE low to XMC_A valid time	-	7.5	ns
$t_{h(A_NWE)}$	Address hold time after XMC_NWE high	$t_{HCLK} + 2$	-	ns
$t_{v(UBLB_NE)}$	XMC_NE low to XMC_UB/LB valid time	-	1.5	ns
$t_{h(UBLB_NWE)}$	XMC_UB/LB hold time after XMC_NWE high	$t_{HCLK} - 0.5$	-	ns
$t_{v(Data_NE)}$	XMC_NE low to data valid	-	$t_{HCLK} + 7$	ns
$t_{h(Data_NWE)}$	Data hold time after XMC_NWE high	$t_{HCLK} + 3$	-	ns
$t_{v(NADV_NE)}$	XMC_NE low to XMC_NADV low valid time	-	5.5	ns
$t_{w(NADV)}$	XMC_NADV low time	-	$t_{HCLK} + 1.5$	ns

Figure 22. Asynchronous non-multiplexed SRAM/PSRAM/NOR write waveforms



(1) Only available in mode 2/B, C and D. XMC_NADV is not used in mode 1.

Table 42. Asynchronous multiplexed PSRAM/NOR read timings

Symbol	Parameter	Min	Max	Unit
$t_{w(NE)}$	XMC_NE low time	$7t_{HCLK} - 2$	$7t_{HCLK} + 2$	ns
$t_{v(NOEN_{E})}$	XMC_NE low to XMC_NOE low valid time	$3t_{HCLK} - 0.5$	$3t_{HCLK} + 1.5$	ns
$t_{w(NOEN_{E})}$	XMC_NOE low time	$4t_{HCLK} - 1$	$4t_{HCLK} + 2$	ns
$t_{h(NE_{NOEN_{E}})}$	XMC_NOE high to XMC_NE high hold time	-1	-	ns
$t_{v(A_{NE})}$	XMC_NE low to XMC_A valid time	-	0	ns
$t_{v(NADV_{NE})}$	XMC_NE low to XMC_NADV low valid time	3	5	ns
$t_{w(NADV)}$	XMC_NADV low time	$t_{HCLK} - 1.5$	$t_{HCLK} + 1.5$	ns
$t_{h(AD_{NADV})}$	XMC_AD (address) valid hold time after XMC_NADV high	$t_{HCLK} + 3$	-	ns
$t_{h(A_{NOEN_{E}})}$	Address hold time after XMC_NOE high	$t_{HCLK} + 3$	-	ns
$t_{h(UBLB_{NOEN_{E}})}$	XMC_UB/LB hold time after XMC_NOE high	0	-	ns
$t_{v(UBLB_{NE})}$	XMC_NE low to XMC_UB/LB valid time	-	0	ns
$t_{su(Data_{NE})}$	Data to XMC_NE high setup time	$2t_{HCLK} + 24$	-	ns
$t_{su(Data_{NOEN_{E}})}$	Data to XMC_NOE high setup time	$2t_{HCLK} + 25$	-	ns
$t_{h(Data_{NE})}$	Data hold time after XMC_NE high	0	-	ns
$t_{h(Data_{NOEN_{E}})}$	Data hold time after XMC_NOE high	0	-	ns

Figure 23. Asynchronous multiplexed PSRAM/NOR read waveforms

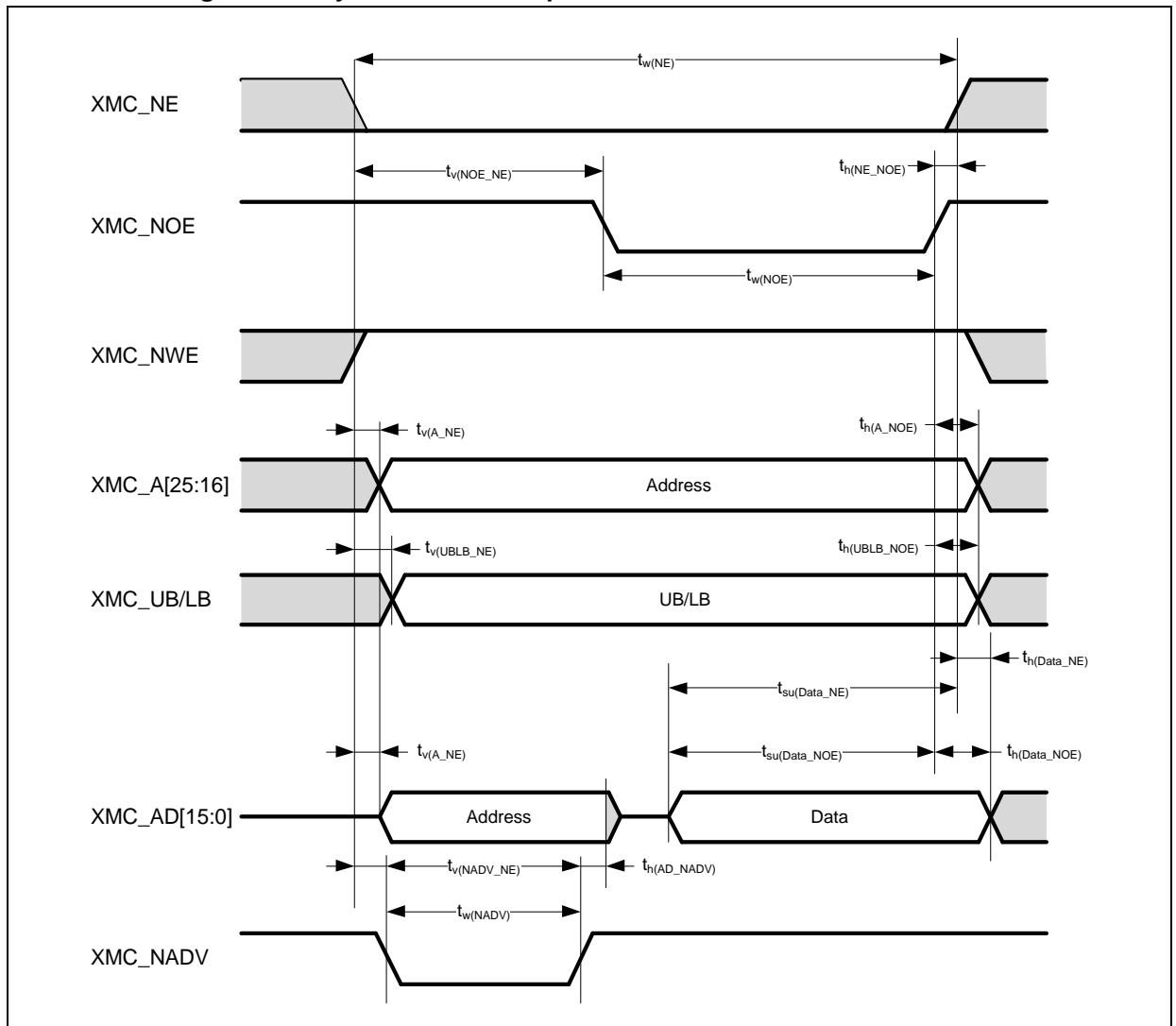
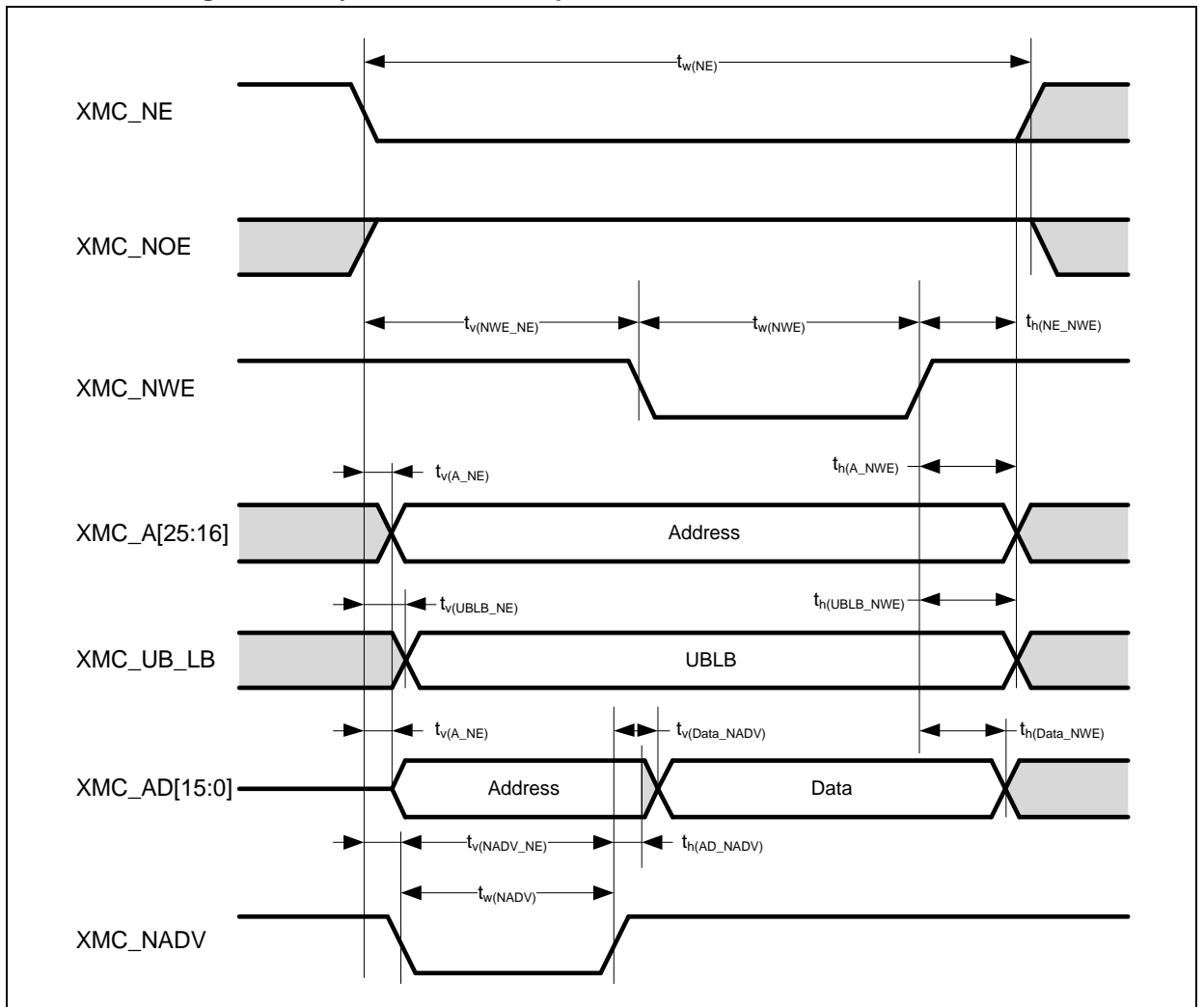


Table 43. Asynchronous multiplexed PSRAM/NOR write timings

Symbol	Parameter	Min	Max	Unit
$t_{w(NE)}$	XMC_NE low time	$5t_{HCLK} - 1$	$5t_{HCLK} + 2$	ns
$t_{v(NWE_NE)}$	XMC_NE low to XMC_NWE low valid time	$2t_{HCLK}$	$2t_{HCLK} + 1$	ns
$t_{w(NWE)}$	XMC_NWE low time	$2t_{HCLK} - 1$	$2t_{HCLK} + 2$	ns
$t_{h(NE_NWE)}$	XMC_NWE high to XMC_NE high hold time	$t_{HCLK} - 1$	-	ns
$t_{v(A_NE)}$	XMC_NE low to XMC_A valid time	-	7	ns
$t_{v(NADV_NE)}$	XMC_NE low to XMC_NADV low valid time	3	5	ns
$t_{w(NADV)}$	XMC_NADV low time	$t_{HCLK} - 1$	$t_{HCLK} + 1$	ns
$t_{h(AD_NADV)}$	XMC_AD (address) hold time after XMC_NADV high	$t_{HCLK} - 3$	-	ns
$t_{h(A_NWE)}$	Address hold time after XMC_NWE high	$4t_{HCLK} + 2.5$	-	ns
$t_{h(UBLB_NWE)}$	XMC_UB/LB hold time after XMC_NWE high	$t_{HCLK} - 1.5$	-	ns
$t_{v(UBLB_NE)}$	XMC_NE low to XMC_UB/LB valid time	-	1.6	ns
$t_{v(Data_NADV)}$	XMC_NADV high to data valid time	-	$t_{HCLK} + 1.5$	ns
$t_{h(Data_NWE)}$	Data hold time after XMC_NWE high	$t_{HCLK} - 5$	-	ns

Figure 24. Asynchronous multiplexed PSRAM/NOR write waveforms



Synchronous waveforms and timings of PSRAM/NOR

The results given in these tables are obtained with the following XMC configuration:

- BurstAccessMode = XMC_BurstAccessMode_Enable
- MemoryType = XMC_MemoryType_CRAM
- WriteBurst = XMC_WriteBurst_Enable
- CLKPrescale = 1 (1 memory cycle = 2 HCLK cycles) (note: CLKPrescale is the CLKPSC bit in the XMC_BK1TMGx register; refer to AT32F435/437 series reference manual)
- DataLatency = 1 for NOR Flash; DataLatency = 0 for PSRAM (note: DataLatency is the DATLAT bit in the XMC_BK1TMGx register; refer to AT32F435/437 series reference manual)

Table 44. Synchronous non-multiplexed PSRAM/NOR read timings

Symbol	Parameter	Min	Max	Unit
t _w (CLK)	XMC_CLK period	20	-	ns
t _d (CLKL-NEL)	XMC_CLK low to XMC_NE low	-	1.5	ns
t _d (CLKL-NEH)	XMC_CLK low to XMC_NE high	1	-	ns
t _d (CLKL-NADV _L)	XMC_CLK low to XMC_NADV low	-	4	ns
t _d (CLKL-NADV _H)	XMC_CLK low to XMC_NADV high	5	-	ns
t _d (CLKL-AV)	XMC_CLK low to XMC_A valid	-	0	ns
t _d (CLKL-AIV)	XMC_CLK low to XMC_A invalid	4	-	ns
t _d (CLKH-NOEL)	XMC_CLK high to XMC_NOE low	-	1.5	ns
t _d (CLKL-NOEH)	XMC_CLK low to XMC_NOE high	0.5	-	ns
t _{su} (DV-CLKH)	XMC_D valid data before XMC_CLK high	6.5	-	ns
t _h (CLKH-DV)	XMC_D valid data after XMC_CLK high	7	-	ns
t _{su} (NWAITV-CLKH)	XMC_NWAIT valid before XMC_CLK high	7	-	ns
t _h (CLKH-NWAITV)	XMC_NWAIT valid after XMC_CLK high	2	-	ns

Figure 25. Synchronous non-multiplexed PSRAM/NOR read waveforms

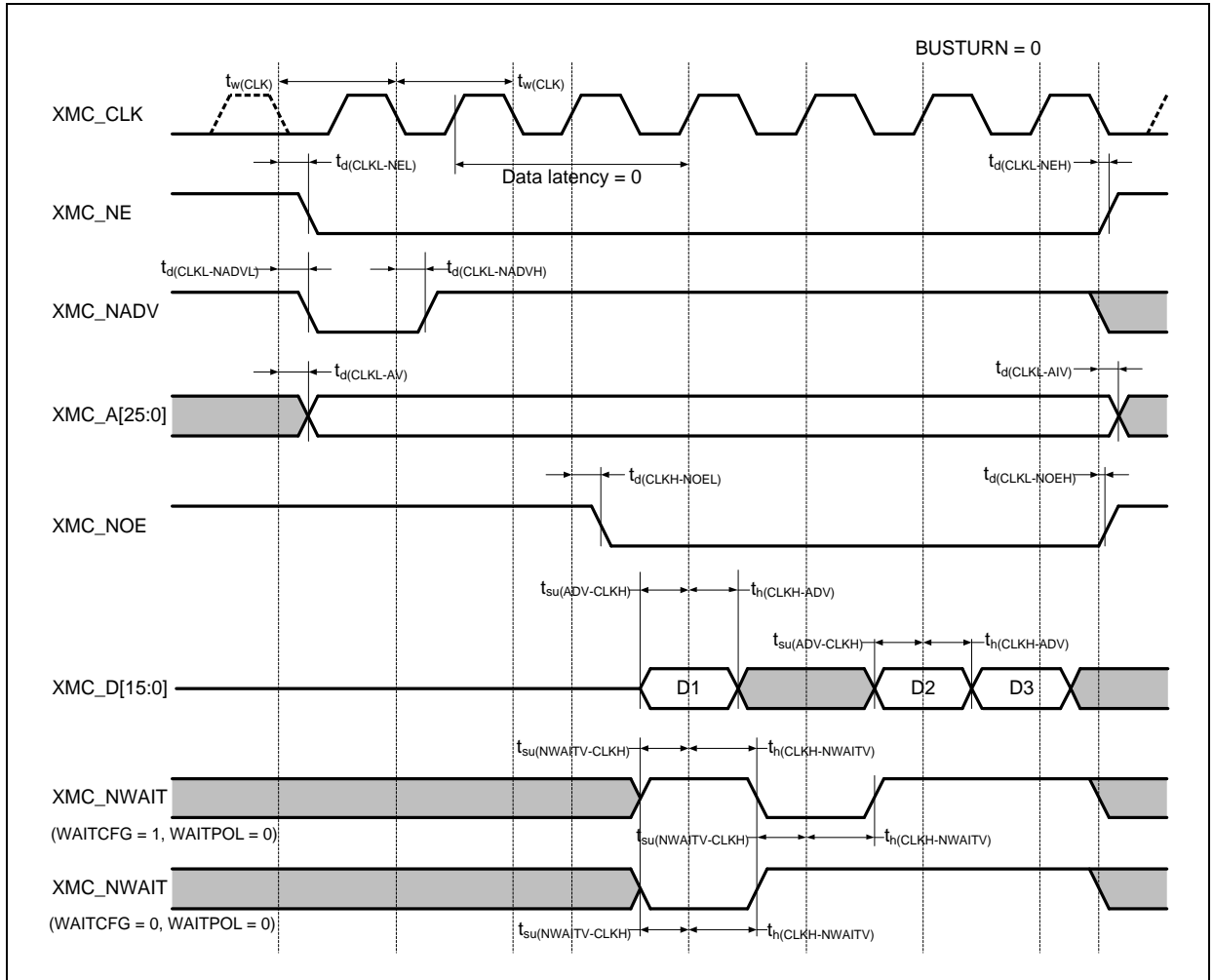


Table 45. Synchronous non-multiplexed PSRAM write timings

Symbol	Parameter	Min	Max	Unit
$t_w(\text{CLK})$	XMC_CLK period	20	-	ns
$t_d(\text{CLKL-NEL})$	XMC_CLK low to XMC_NE low	-	2	ns
$t_d(\text{CLKL-NEH})$	XMC_CLK low to XMC_NE high	2	-	ns
$t_d(\text{CLKL-NADV})$	XMC_CLK low to XMC_NADV low	-	4	ns
$t_d(\text{CLKL-NADVH})$	XMC_CLK low to XMC_NADV high	5	-	ns
$t_d(\text{CLKL-AV})$	XMC_CLK low to XMC_A valid	-	0	ns
$t_d(\text{CLKL-AIV})$	XMC_CLK low to XMC_A invalid	2	-	ns
$t_d(\text{CLKL-NVEL})$	XMC_CLK low to XMC_NWE low	-	1	ns
$t_d(\text{CLKL-NWEH})$	XMC_CLK low to XMC_NWE high	0.5	-	ns
$t_d(\text{CLKL-Data})$	XMC_D after XMC_CLK low	-	6	ns
$t_d(\text{CLKL-UBLBH})$	XMC_CLK low to XMC_UB/LB high	1.5	-	ns
$t_{su}(\text{NWAITV-CLKH})$	XMC_NWAIT valid before XMC_CLK high	7	-	ns
$t_h(\text{CLKH-NWAITV})$	XMC_NWAIT valid after XMC_CLK high	2	-	ns

Figure 26. Synchronous non-multiplexed PSRAM write waveforms

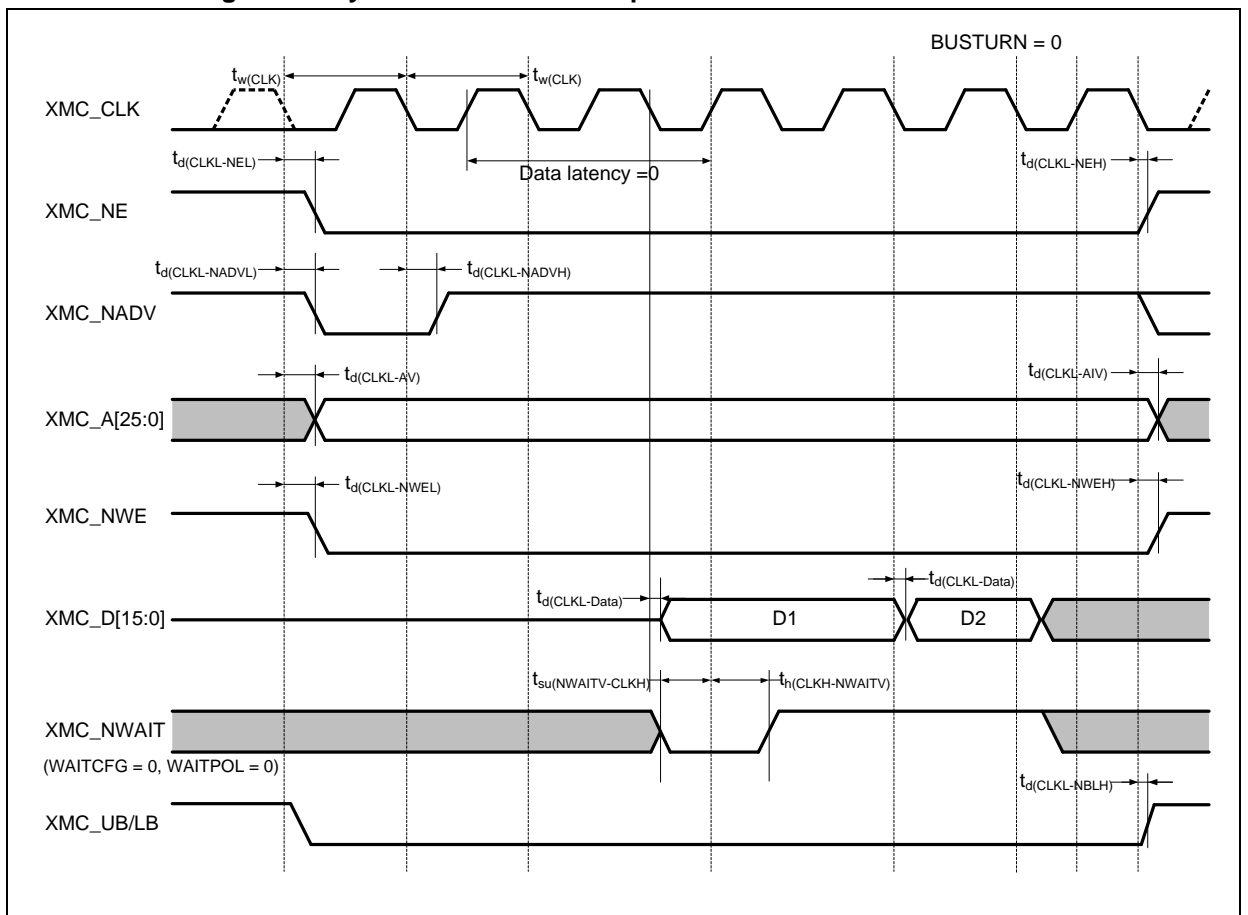


Table 46. Synchronous multiplexed PSRAM/NOR read timings

Symbol	Parameter	Min	Max	Unit
$t_w(\text{CLK})$	XMC_CLK period	20	-	ns
$t_d(\text{CLKL-NEL})$	XMC_CLK low to XMC_NE low	-	1.5	ns
$t_d(\text{CLKL-NEH})$	XMC_CLK low to XMC_NE high	1	-	ns
$t_d(\text{CLKL-NADV})$	XMC_CLK low to XMC_NADV low	-	4	ns
$t_d(\text{CLKL-NADVH})$	XMC_CLK low to XMC_NADV high	5	-	ns
$t_d(\text{CLKL-AV})$	XMC_CLK low to XMC_A valid	-	0	ns
$t_d(\text{CLKL-AIV})$	XMC_CLK low to XMC_A invalid	2	-	ns
$t_d(\text{CLKH-NOEL})$	XMC_CLK high to XMC_NOE low	-	1	ns
$t_d(\text{CLKL-NOEH})$	XMC_CLK low to XMC_NOE high	0.5	-	ns
$t_d(\text{CLKL-ADV})$	XMC_CLK low to XMC_AD valid	-	12	ns
$t_d(\text{CLKL-ADIV})$	XMC_CLK low to XMC_AD invalid	0	-	ns
$t_{su}(\text{ADV-CLKH})$	XMC_AD valid before XMC_CLK high	6	-	ns
$t_h(\text{CLKH-ADV})$	XMC_AD valid after XMC_CLK high	6	-	ns
$t_{su}(\text{NWAITV-CLKH})$	XMC_NWAIT valid before XMC_CLK high	8	-	ns
$t_h(\text{CLKH-NWAITV})$	XMC_NWAIT valid after XMC_CLK high	6	-	ns

Figure 27. Synchronous multiplexed PSRAM/NOR read waveforms

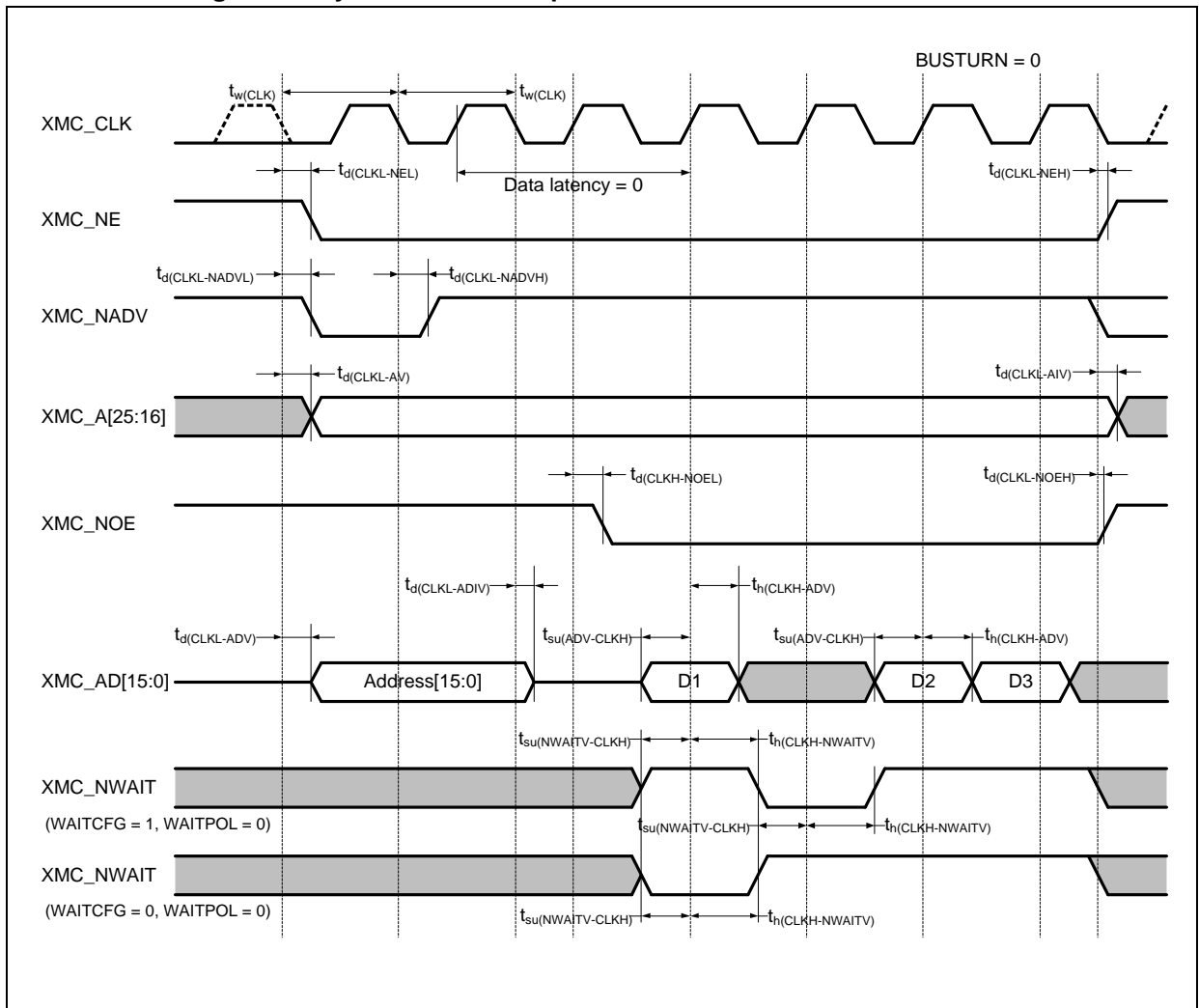
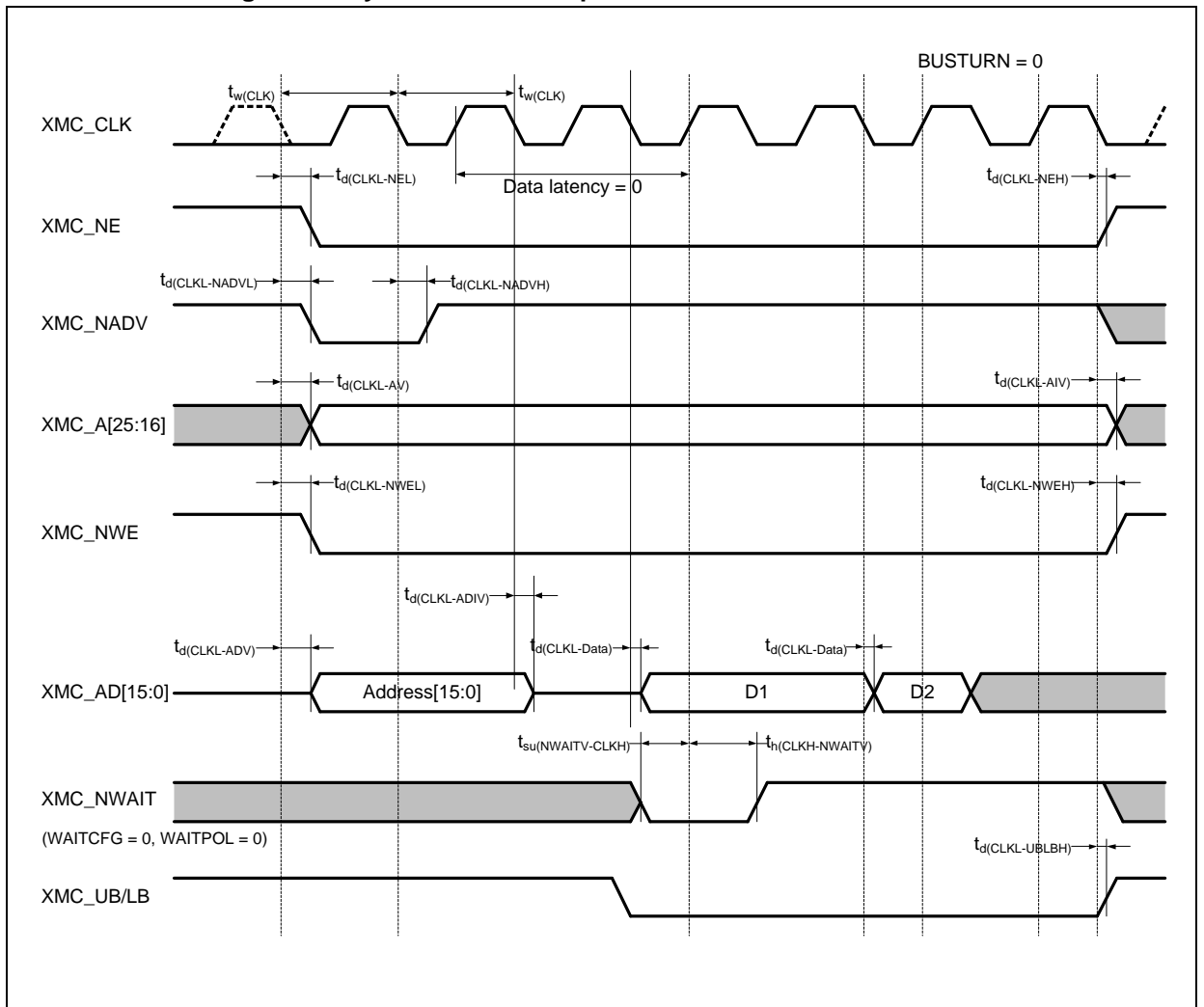


Table 47. Synchronous multiplexed PSRAM write timings

Symbol	Parameter	Min	Max	Unit
$t_w(\text{CLK})$	XMC_CLK period	20	-	ns
$t_d(\text{CLKL-NEL})$	XMC_CLK low to XMC_NE low	-	2	ns
$t_d(\text{CLKL-NEH})$	XMC_CLK low to XMC_NE high	2	-	ns
$t_d(\text{CLKL-NADVL})$	XMC_CLK low to XMC_NADV low	-	4	ns
$t_d(\text{CLKL-NADVH})$	XMC_CLK low to XMC_NADV high	5	-	ns
$t_d(\text{CLKL-AV})$	XMC_CLK low to XMC_A valid	-	0	ns
$t_d(\text{CLKL-AIV})$	XMC_CLK low to XMC_A invalid	2	-	ns
$t_d(\text{CLKL-NWEL})$	XMC_CLK low to XMC_NWE low	-	1	ns
$t_d(\text{CLKL-NWEH})$	XMC_CLK low to XMC_NWE high	0.5	-	ns
$t_d(\text{CLKL-ADV})$	XMC_CLK low to XMC_AD valid	-	12	ns
$t_d(\text{CLKL-ADIV})$	XMC_CLK low to XMC_AD invalid	3	-	ns
$t_d(\text{CLKL-Data})$	XMC_AD after XMC_CLK low	-	6	ns
$t_d(\text{CLKL-UBLBH})$	XMC_CLK low to XMC_UB/LB high	1	-	ns
$t_{su}(\text{NWAITV-CLKH})$	XMC_NWAIT valid before XMC_CLK high	7	-	ns
$t_h(\text{CLKH-NWAITV})$	XMC_NWAIT valid after XMC_CLK high	2	-	ns

Figure 28. Synchronous multiplexed PSRAM write waveforms



NAND controller waveforms and timings

The results given in the table below are obtained with the following XMC configuration:

- COM.XMC_SetupTime = 0x01 (note: STP in XMC_BKxTMGMEM)
- COM.XMC_WaitSetupTime = 0x03 (note: OP in XMC_BKxTMGMEM)
- COM.XMC_HoldSetupTime = 0x02 (note: HLD in XMC_BKxTMGMEM)
- COM.XMC_HiZSetupTime = 0x01 (note: WRSTP in XMC_BKxTMGMEM)
- ATT.XMC_SetupTime = 0x01 (note: STP in XMC_BKxTMGATT)
- ATT.XMC_WaitSetupTime = 0x03 (note: OP in XMC_BKxTMGATT)
- ATT.XMC_HoldSetupTime = 0x02 (note: HLD in XMC_BKxTMGATT)
- ATT.XMC_HiZSetupTime = 0x01 (note: WRSTP in XMC_BKxTMGATT)
- Bank = XMC_Bank_NAND
- MemoryDataWidth = XMC_MemoryDataWidth_16b (note: memory data width = 16 bits)
- ECC = XMC_ECC_Enable (note: enable ECC calculation)
- ECCPageSize = XMC_ECCPageSize_512Bytes (note: ECC page size = 512 bytes)
- DLYCRSetupTime = 0 (note: DLYCR in XMC_BKxCTRL)
- DLYARSetupTime = 0 (note: DLYAR in XMC_BKxCTRL)

Table 48. NAND Flash read and write timings

Symbol	Parameter	Min	Max	Unit
t _w (NOE)	XMC_NOE low width	4t _{HCLK} - 1.5	4t _{HCLK} + 1.5	ns
t _{su} (D-NOE)	XMC_Dx valid data before XMC_NOE high	25	-	ns
t _h (NOE-D)	XMC_Dx valid data after XMC_NOE high	14	-	ns
t _d (ALE-NOE)	XMC_ALE valid before XMC_NOE low	-	3t _{HCLK} + 2	ns
t _h (NOE-ALE)	XMC_NOE high to XMC_ALE invalid	3t _{HCLK} + 4.5	-	ns
t _w (NWE)	XMC_NWE low width	4t _{HCLK} - 1	4t _{HCLK} + 2.5	ns
t _v (NWE-D)	XMC_NWE low to XMC_Dx valid	-	0	ns
t _h (NWE-D)	XMC_NWE high to XMC_Dx invalid	10t _{HCLK} + 4	-	ns
t _d (D-NWE)	XMC_Dx valid data before XMC_NWE high	6t _{HCLK} + 12	-	ns
t _d (ALE-NWE)	XMC_ALE valid before XMC_NWE low	-	3t _{HCLK} + 1.5	ns
t _h (NWE-ALE)	XMC_NWE high to XMC_ALE invalid	3t _{HCLK} + 4.5	-	ns

Figure 29. NAND controller read waveforms

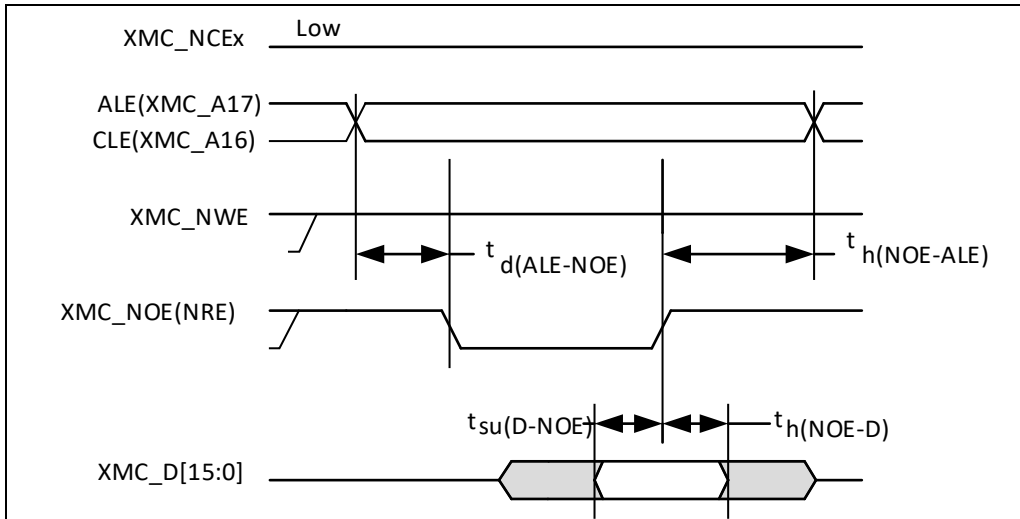


Figure 30. NAND controller write waveforms

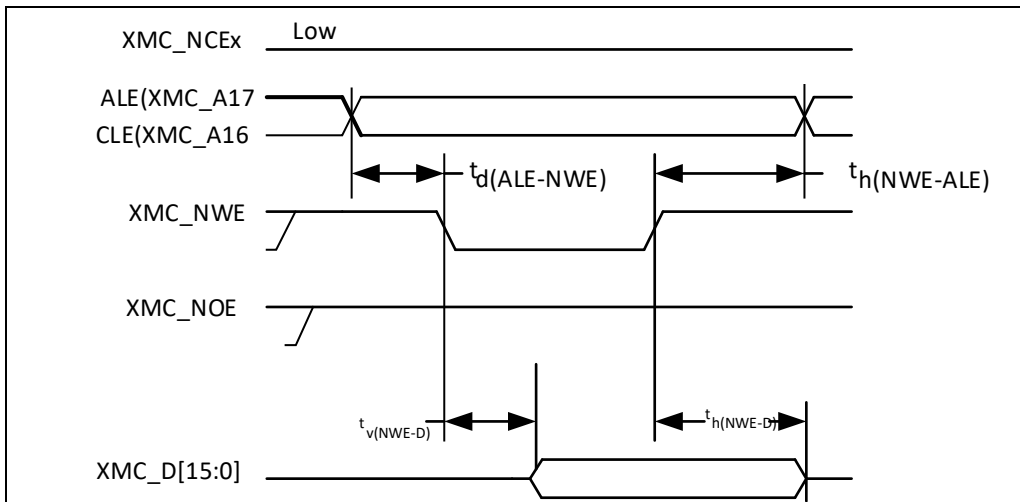


Figure 31. NAND controller common memory read waveforms

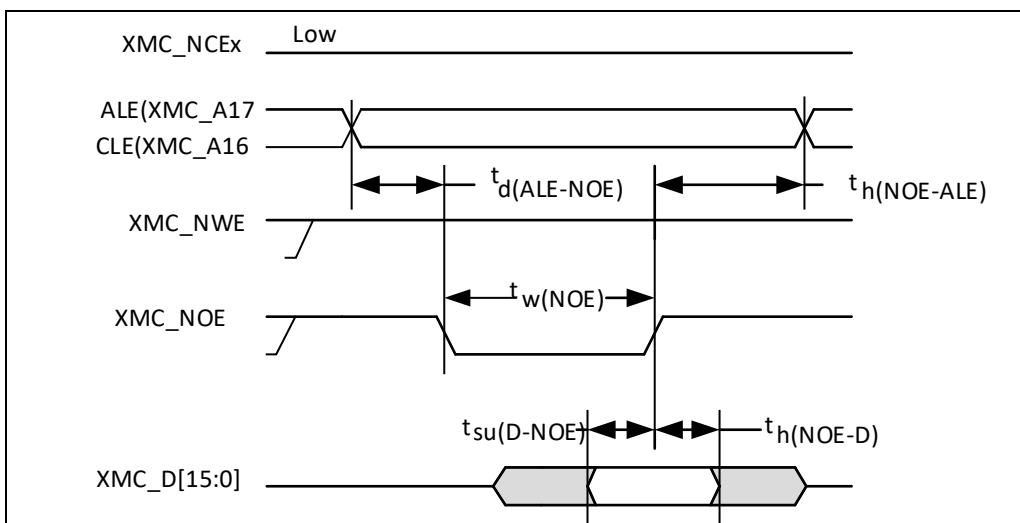
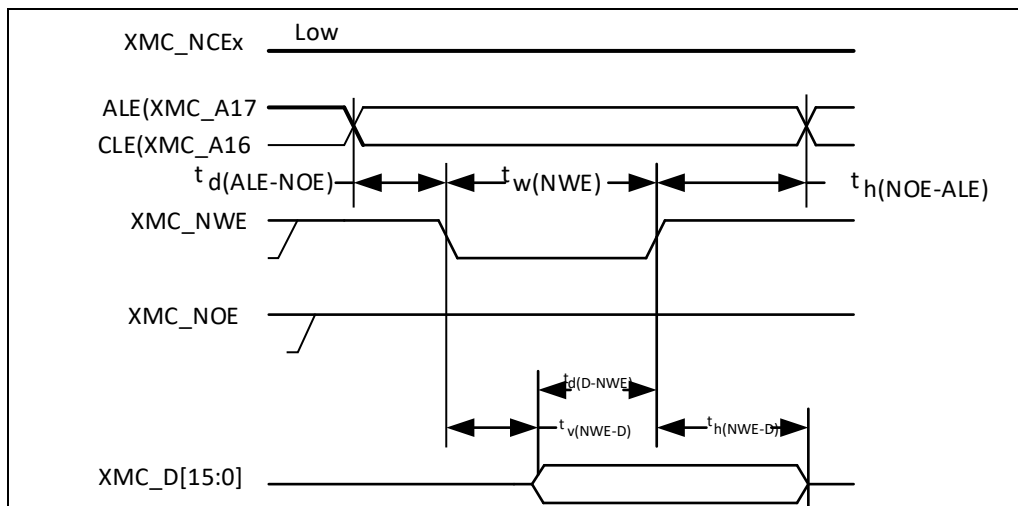


Figure 32. NAND controller for common memory write waveforms

PC card /CF card controller timings and waveforms

The results given in the table below are obtained with the following XMC configuration:

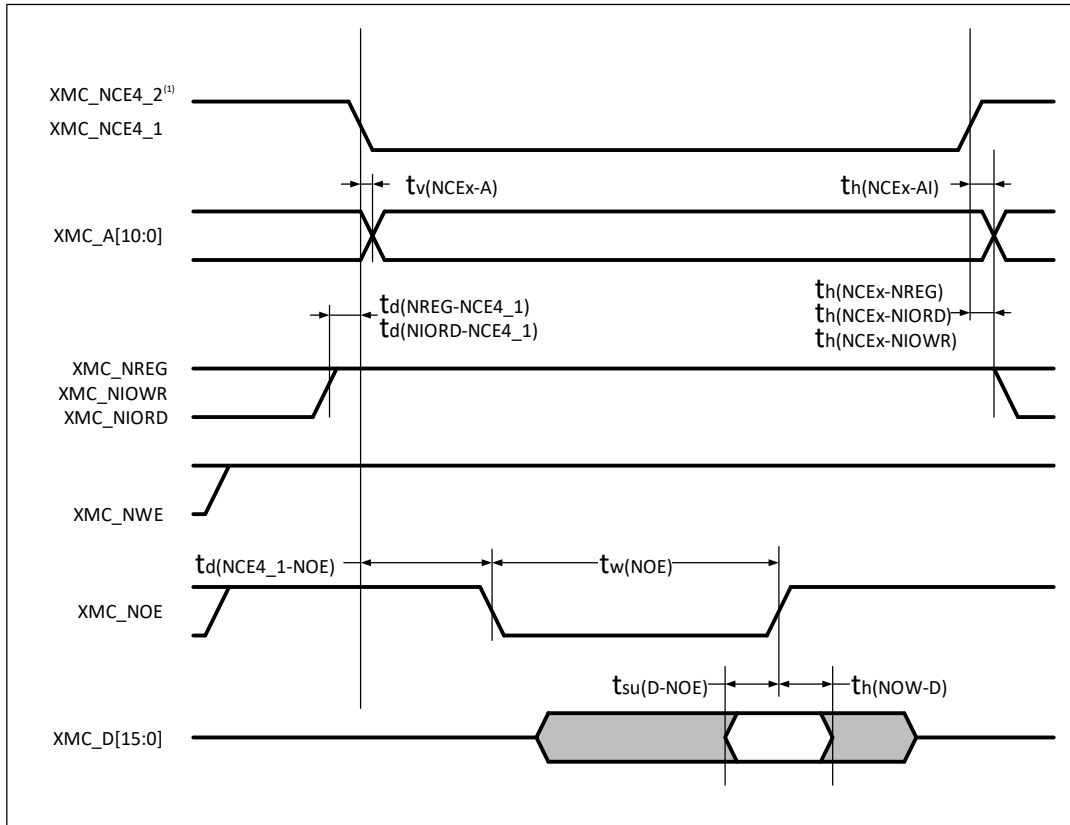
- COM.XMC_SetupTime = 0x04 (note: STP in XMC_BKxTMGMEM, x = 2...4)
- COM.XMC_WaitSetupTime = 0x07 (note: OP in XMC_BKxTMGMEM, x = 2...4)
- COM.XMC_HoldSetupTime = 0x04 (note: HLD in XMC_BKxTMGMEM, x = 2...4)
- COM.XMC_HiZSetupTime = 0x00 (note: WRSTP in XMC_BKxTMGMEM, x = 2...4)
- ATT.XMC_SetupTime = 0x04 (note: STP in XMC_BKxTMGATT, x = 2...4)
- ATT.XMC_WaitSetupTime = 0x07 (note: OP in XMC_BKxTMGATT, x = 2...4)
- ATT.XMC_HoldSetupTime = 0x04 (note: HLD in XMC_BKxTMGATT, x = 2...4)
- ATT.XMC_HiZSetupTime = 0x00 (note: WRSTP in XMC_BKxTMGATT, x = 2...4)
- IO.XMC_SetupTime = 0x04 (note: STP in XMC_BKxTMGIO, x = 4)
- IO.XMC_WaitSetupTime = 0x07 (note: OP in XMC_BKxTMGIO, x = 4)
- IO.XMC_HoldSetupTime = 0x04 (note: HLD in XMC_BKxTMGIO, x = 4)
- IO.XMC_HiZSetupTime = 0x00 (note: WRSTP in XMC_BKxTMGIO, x = 4)
- DLYCRSetupTime = 0 (note: DLYCR in XMC_BKxCTRL)
- DLYARSetupTime = 0 (note: DLYAR in XMC_BKxCTRL)

Note: Refer to the AT32F435/437 reference manual about the description of registers above (XMC_BKXTMGMEMx, XMC_BKxTMGATT, XMC_BKxTMGIO and XMC_BKxCTRL).

Table 49. PC card /CF read and write timings

Symbol	Parameter	Min	Max	Unit
t _v (NCEX-A)	XMC_NCEX low to XMC_Ax valid	-	0	ns
t _h (NCEX-AI)	XMC_NCEX high to XMC_Ax invalid	0	-	ns
t _d (NREG-NCEX)	XMC_NCEX low to XMC_NREG valid	-	2	ns
t _h (NCEX-NREG)	XMC_NCEX high to XMC_NREG invalid	t _{HCLK} + 4	-	ns
t _d (NCEX-NWE)	XMC_NCEX low to XMC_NWE low	-	5t _{HCLK} + 1	ns
t _d (NCEX-NOE)	XMC_NCEX low to XMC_NOE low	-	5t _{HCLK} + 1	ns
t _w (NOE)	XMC_NOE low width	8t _{HCLK} - 0.5	8t _{HCLK} + 1	ns
t _d (NOE -NCEX)	XMC_NOE high to XMC_NCEX high	5t _{HCLK} - 0.5	-	ns
t _{su} (D-NOE)	XMC_Dx valid data before XMC_NOE high	32	-	ns
t _h (NOE-D)	XMC_Dx invalid data after XMC_NOE high	t _{HCLK}	-	ns
t _w (NWE)	XMC_NWE low width	8t _{HCLK} - 1	8t _{HCLK} + 4	ns
t _d (NWE-NCEX)	XMC_NWE high to XMC_NCEX high	5t _{HCLK} + 1.5	-	ns
t _d (NCEX-NWE)	XMC_NCEX low to XMC_NWE low	-	5t _{HCLK} + 1	ns
t _v (NWE-D)	XMC_NWE low to XMC_Dx valid	-	0	ns
t _h (NWE-D)	XMC_NWE high to XMC_Dx invalid	11t _{HCLK}	-	ns
t _d (D-NWE)	XMC_Dx valid data before XMC_NWE high	13t _{HCLK} + 2.5	-	ns
t _w (NIOWR)	XMC_NIOWR low width	8t _{HCLK}	-	ns
t _v (NIOWR-D)	XMC_NIOWR low to XMC_Dx valid	-	5t _{HCLK} - 4	ns
t _h (NIOWR-D)	XMC_NIOWR high to XMC_Dx invalid	11t _{HCLK}	-	ns
t _d (NCEX-NIOWR)	XMC_NCEX low to XMC_NIOWR valid			
t _h (NCEX-NIOWR)	XMC_NCEX high to XMC_NIOWR invalid	5t _{HCLK} - 7	-	ns
t _d (NIORD-NCEX)	XMC_NCEX low to XMC_NIORD valid	-	5t _{HCLK} + 1	ns
t _h (NCEX-NIORD)	XMC_NCEX high to XMC_NIORD invalid	5t _{HCLK} - 0.5	-	ns
t _w (NIORD)	XMC_NIORD low width	8t _{HCLK}	-	ns
t _{su} (D-NIORD)	XMC_Dx valid before XMC_NIORD high	28	-	ns
t _d (NIORD-D)	XMC_Dx valid after XMC_NIORD high	3	-	ns

Figure 33. PC card/CF controller waveforms for common memory read access



(1) XMC_NCE4_2 remains low (inactive during 8-bit access).

Figure 34. PC card/CF controller waveforms for common memory write access

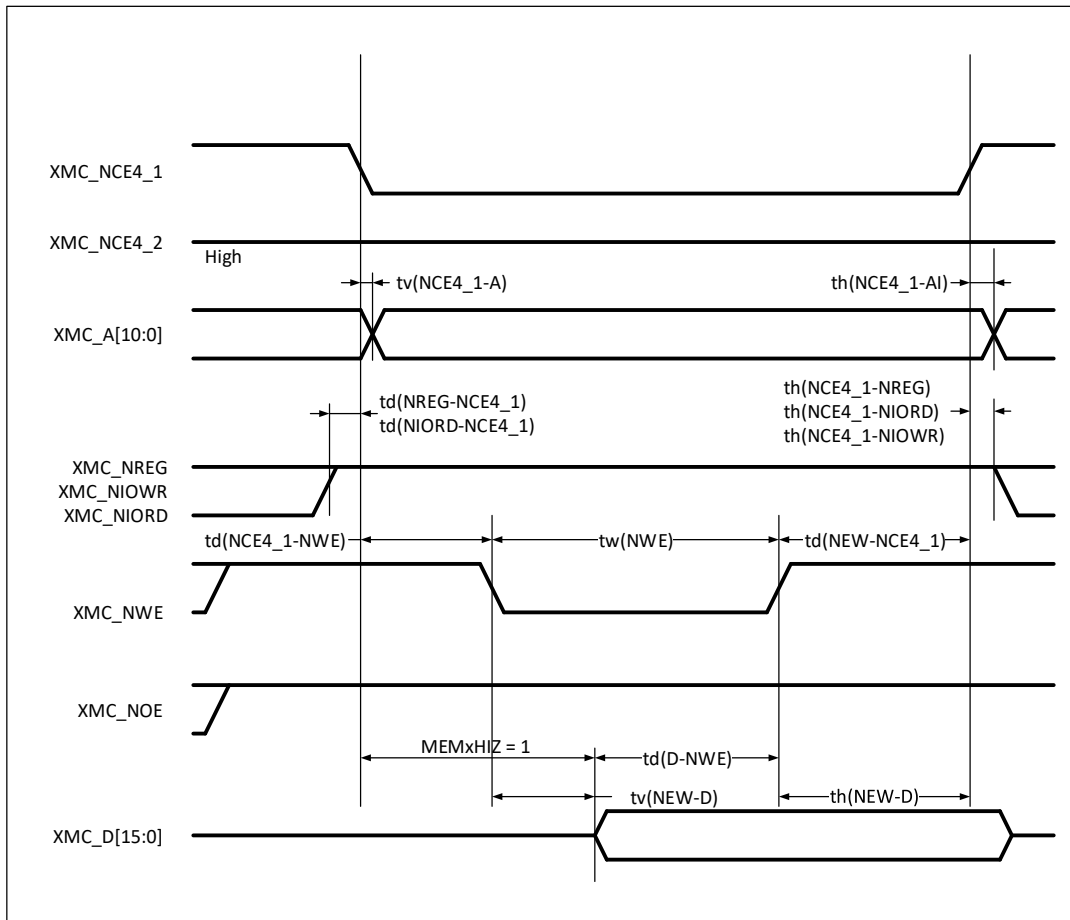
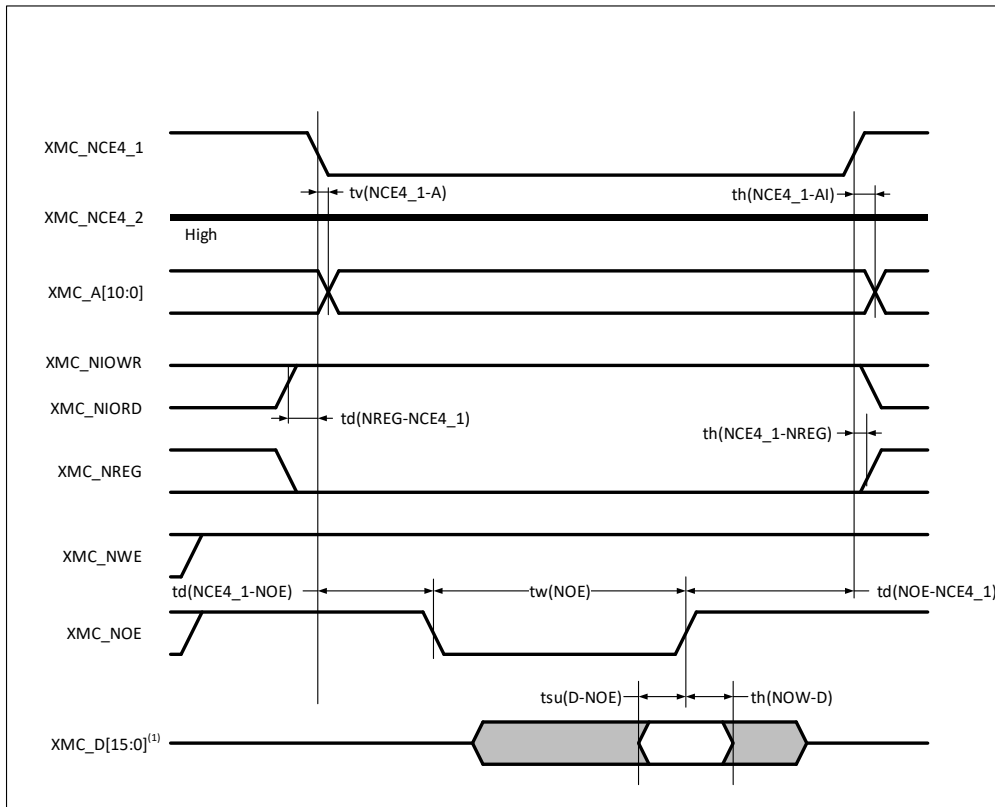
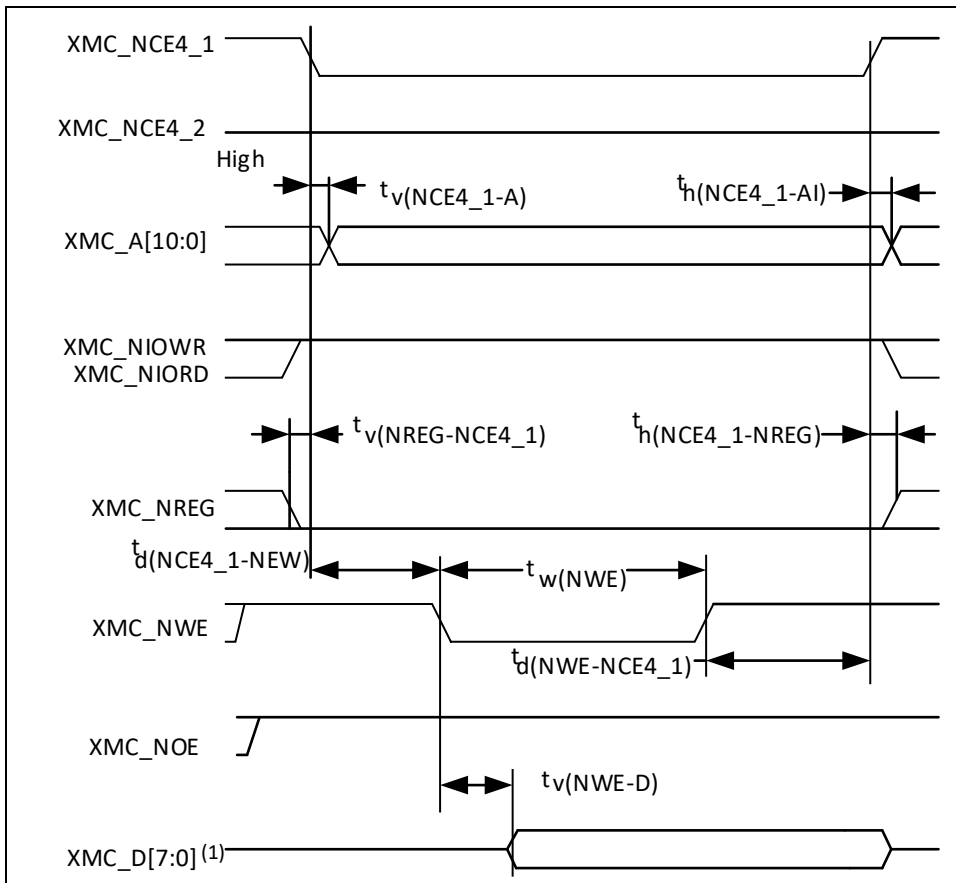


Figure 35. PC card/CF controller waveforms for attribute memory read access



(1) Only data bits 0~7 are read (bits 8~15 disregarded).

Figure 36. PC card/CF controller waveforms for attribute memory write access



(1) Only data bits 0~7 are driven (bits 8~15 remains HiZ).

Figure 37. PC card /CF controller waveforms for I/O space read access

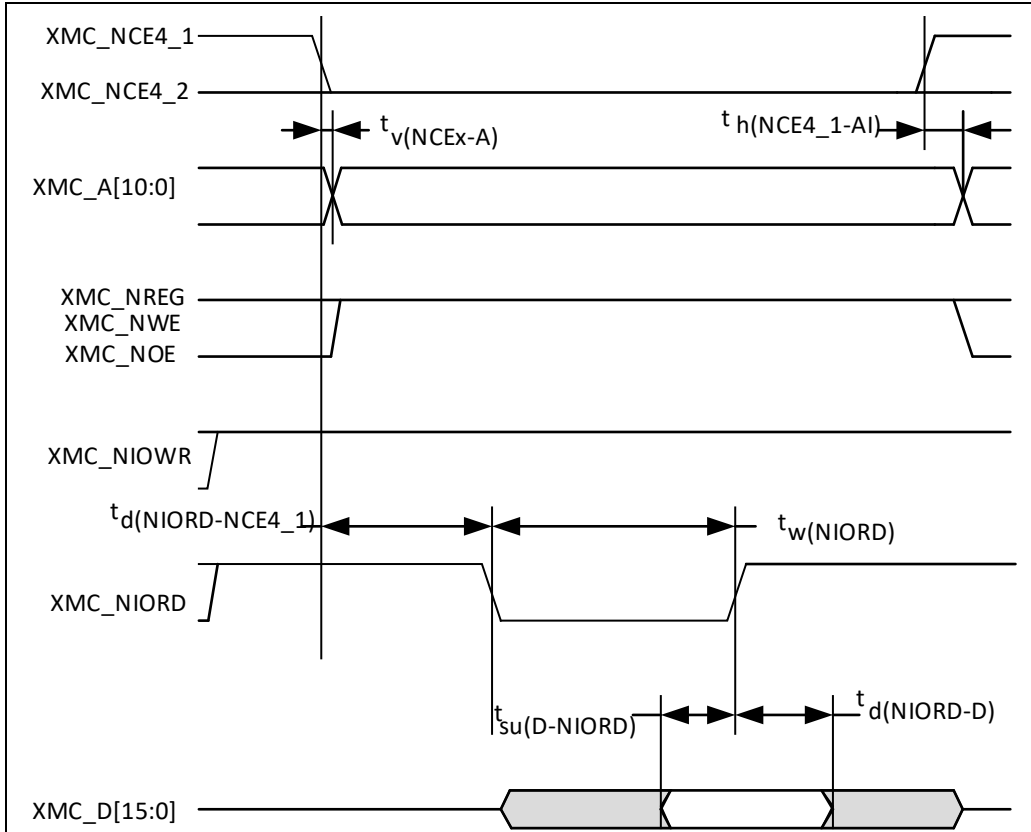
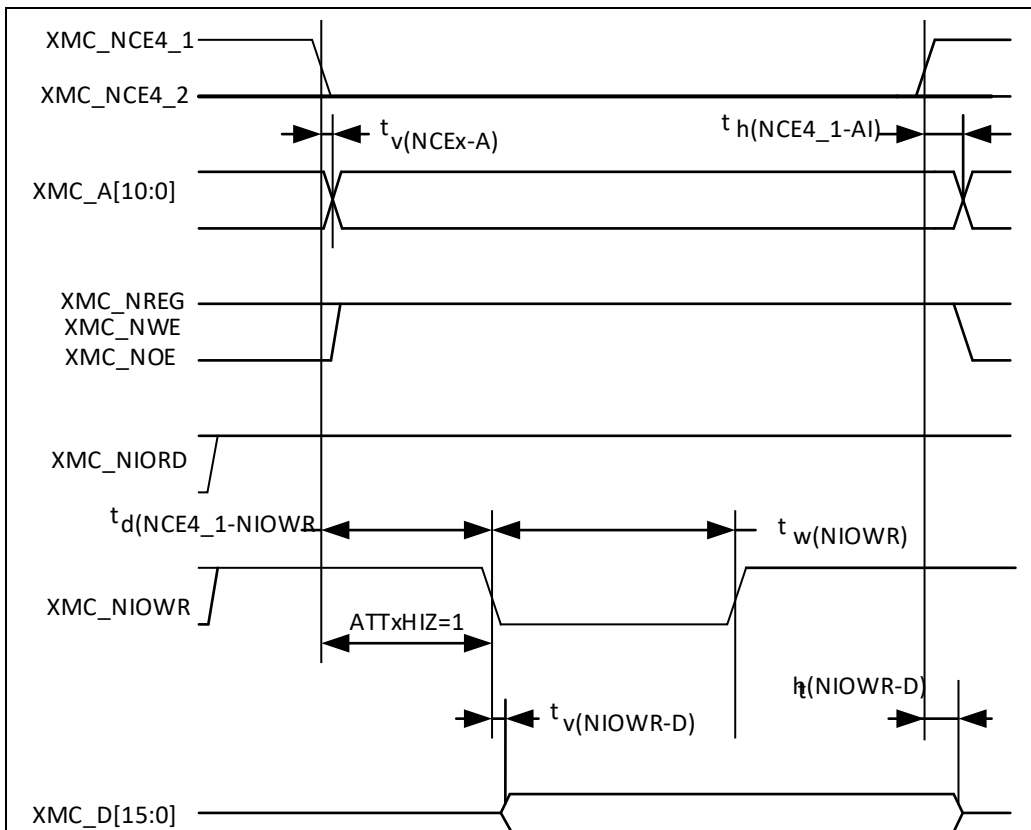


Figure 38. PC card/CF controller waveforms for I/O space write access



SDRAM controller timings and waveforms

Table 50. SDRAM read timings

Symbol	Parameter	Min	Max	Unit
$1/t_w(\text{SDCLK})$	SDCLK frequency	-	100	MHz
$t_{su}(\text{SDCLKH_Data})$	Input data setup time	2	-	ns
$t_h(\text{SDCLKH_Data})$	Input data hold time	0	-	ns
$t_d(\text{SDCLKL_Add})$	Address valid time	-	1.5	ns
$t_d(\text{SDCLKL_SDCS})$	SDCS valid time	-	0.5	ns
$t_h(\text{SDCLKL_SDCS})$	SDCS hold time	0	-	ns
$t_d(\text{SDCLKL_SDNRAS})$	SDNRAS/SDNCAS valid time	-	0.5	ns
$t_d(\text{SDCLKL_SDNCAS})$				
$t_h(\text{SDCLKL_SDNRAS})$	SDNRAS/SDNCAS hold time	0	-	ns
$t_h(\text{SDCLKL_SDNCAS})$				

Figure 39. SDRAM read waveforms

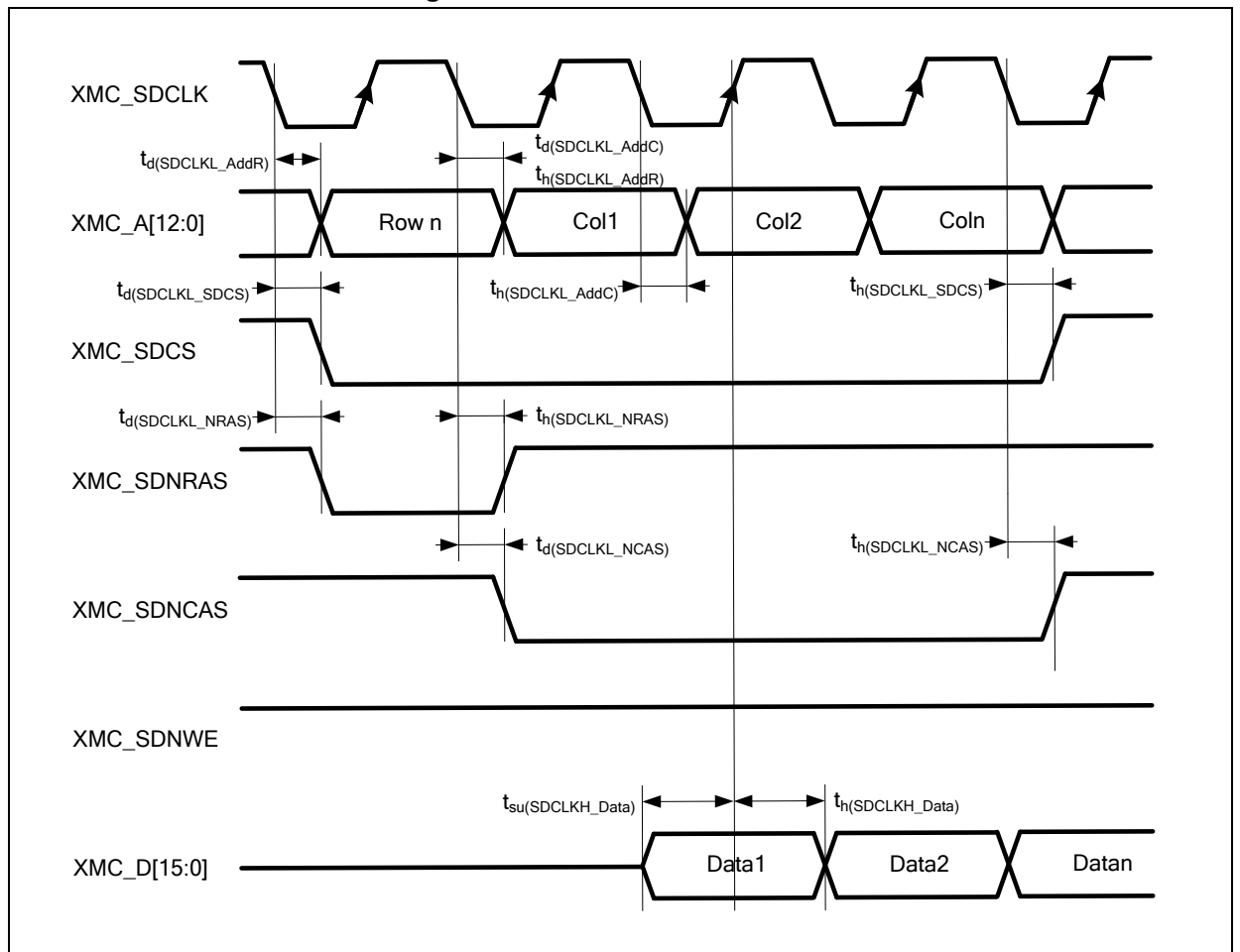
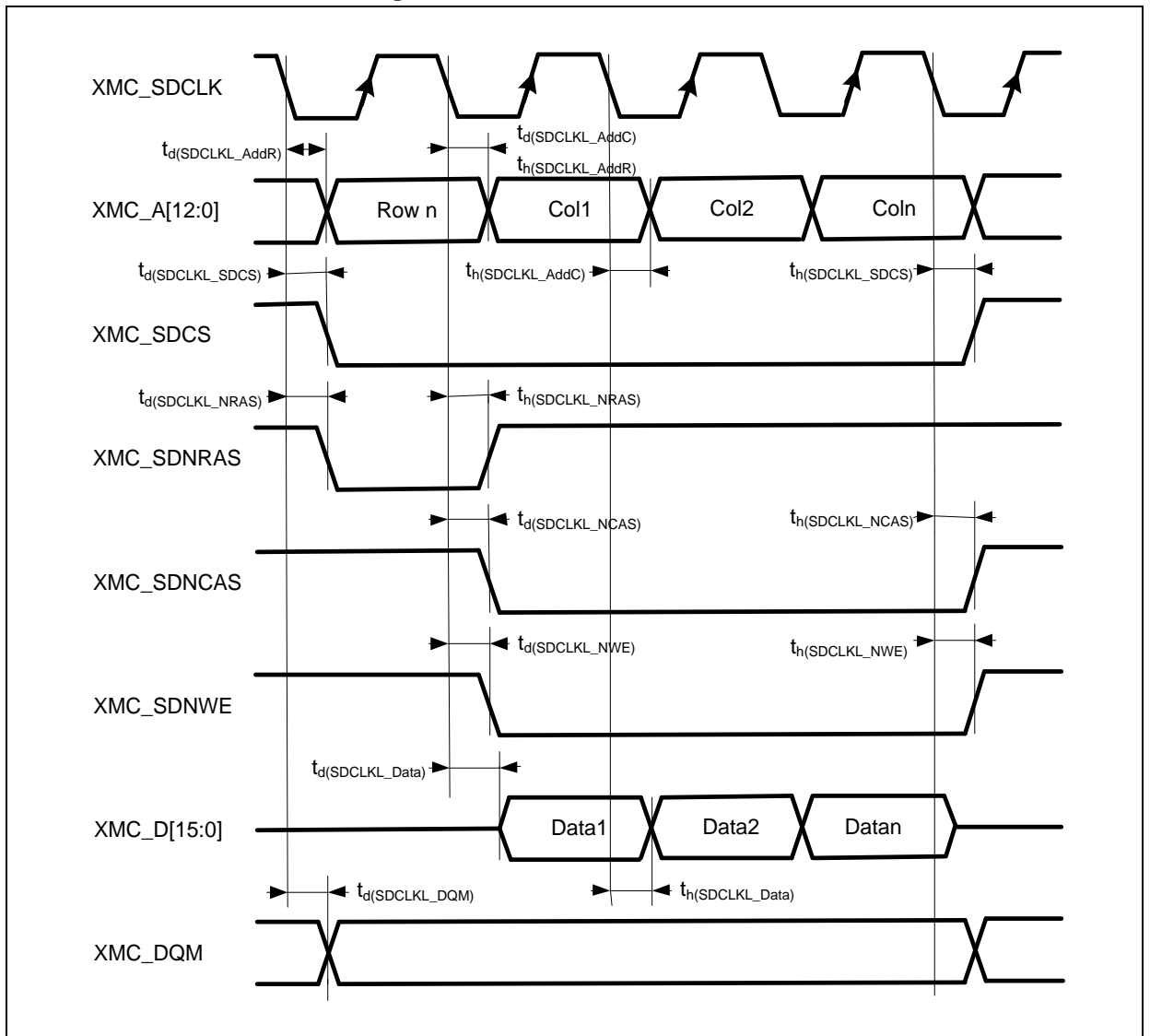


Table 51. SDRAM write timings

Symbol	Parameter	Min	Max	Unit
$1/t_w(\text{SDCLK})$	SDCLK frequency	-	100	MHz
$t_d(\text{SDCLKL_Data})$	Output data valid time	-	2.5	ns
$t_h(\text{SDCLKL_Data})$	Output data hold time	3.5	-	ns
$t_d(\text{SDCLKL_Add})$	Address valid time	-	1.5	ns
$t_d(\text{SDCLKL_SDNWE})$	SDNWE valid time	-	1	ns
$t_h(\text{SDCLKL_SDNWE})$	SDNWE hold time	0	-	ns
$t_d(\text{SDCLKL_SDCS})$	SDCS valid time	-	0.5	ns
$t_h(\text{SDCLKL_SDCS})$	SDCS hold time	0	-	ns
$t_d(\text{SDCLKL_SDNRAS})$	SDNRAS valid time	-	2	ns
$t_h(\text{SDCLKL_SDNRAS})$	SDNRAS hold time	0	-	ns
$t_d(\text{SDCLKL_SDNCAS})$	SDNCAS valid time	-	0.5	ns
$t_h(\text{SDCLKL_SDNCAS})$	SDNCAS hold time	0	-	ns
$t_d(\text{SDCLKL_DQM})$	DQM valid time	-	0.5	ns
$t_h(\text{SDCLKL_DQM})$	DQM hold time	0	-	

Figure 40. SDRAM write waveforms



5.3.14 TMR characteristics

The parameters given in the table below are guaranteed by design.

Table 52. TMR characteristics

Symbol	Parameter	Conditions	Min	Max	Unit
t _{res(TMR)}	Timer resolution time	-	1	-	t _{TMRxCLK}
		f _{TMRxCLK} = 288 MHz	3.47	-	ns
f _{EXT}	Timer external clock frequency on CH1 to CH4	-	0	f _{TMRxCLK} /2	MHz

5.3.15 SPI characteristics

Table 53. SPI characteristics

Symbol	Parameter	Conditions	Min	Max	Unit	
f _{SCK} (1/t _{c(SCK)}) ⁽¹⁾	SPI clock frequency ⁽²⁾⁽³⁾	Master mode	Prescaler factor ≠ 3	-	36	MHz
			Prescaler factor = 3	-	32	
		Slave receive mode	Prescaler factor ≠ 3	-	36	
			Prescaler factor = 3	-	32	
		Slave transmit mode	-	32		
t _{su(CS)} ⁽¹⁾	CS setup time	Slave mode	4t _{PCLK}	-	ns	
t _{h(CS)} ⁽¹⁾	CS hold time	Slave mode	2t _{PCLK}	-	ns	
t _{w(SCKH)} ⁽¹⁾ t _{w(SCKL)} ⁽¹⁾	SCK high and low time	Master mode, prescaler factor = 4	2t _{PCLK} - 3	2t _{PCLK} + 3	ns	
t _{su(MI)} ⁽¹⁾	Data input setup time	Master mode	5	-	ns	
t _{su(SI)} ⁽¹⁾		Slave mode	5	-		
t _{h(MI)} ⁽¹⁾	Data input hold time	Master mode	5	-	ns	
t _{h(SI)} ⁽¹⁾		Slave mode	4	-		
t _{a(SO)} ⁽¹⁾⁽⁴⁾	Data output access time	Slave mode	t _{PCLK} - 2	2t _{PCLK} + 2	ns	
t _{dis(SO)} ⁽¹⁾⁽⁵⁾	Data output disable time	Slave mode	t _{PCLK} - 2	2t _{PCLK} + 2	ns	
t _{v(SO)} ⁽¹⁾	Data output valid time	Slave mode (after enable edge)	-	25	ns	
t _{v(MO)} ⁽¹⁾	Data output valid time	Master mode (after enable edge)	-	10	ns	
t _{h(SO)} ⁽¹⁾	Data output hold time	Slave mode (after enable edge)	9	-	ns	
t _{h(MO)} ⁽¹⁾		Master mode (after enable edge)	2	-		

(1) Guaranteed by design, not tested in production.

(2) The maximum SPI clock frequency should not exceed f_{PCLK}/2.

(3) The maximum SPI clock frequency is highly related with devices and the PCB layout. For more details about the complete solution, please contact your local Artery sales representative.

(4) Min time is for the minimum time to drive the output and the max time is for the maximum time to validate the data.

(5) Min time is for the minimum time to invalidate the output and the max time is for the maximum time to put the data in Hi-Z.

Figure 41. SPI timing diagram – slave mode and CPHA = 0

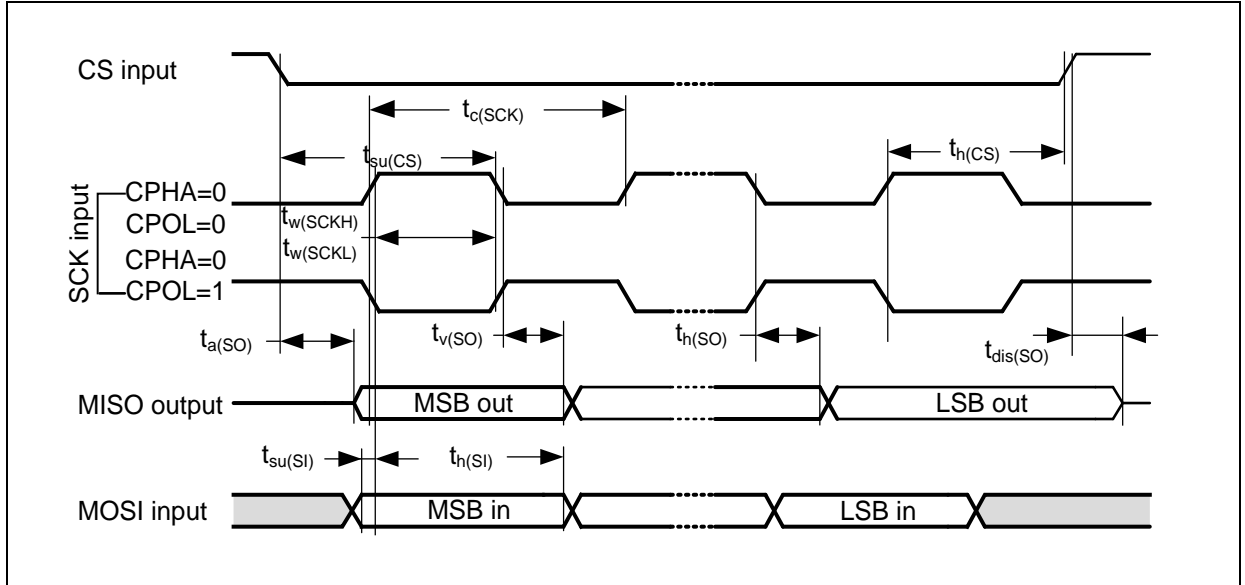


Figure 42. SPI timing diagram – slave mode and CPHA = 1

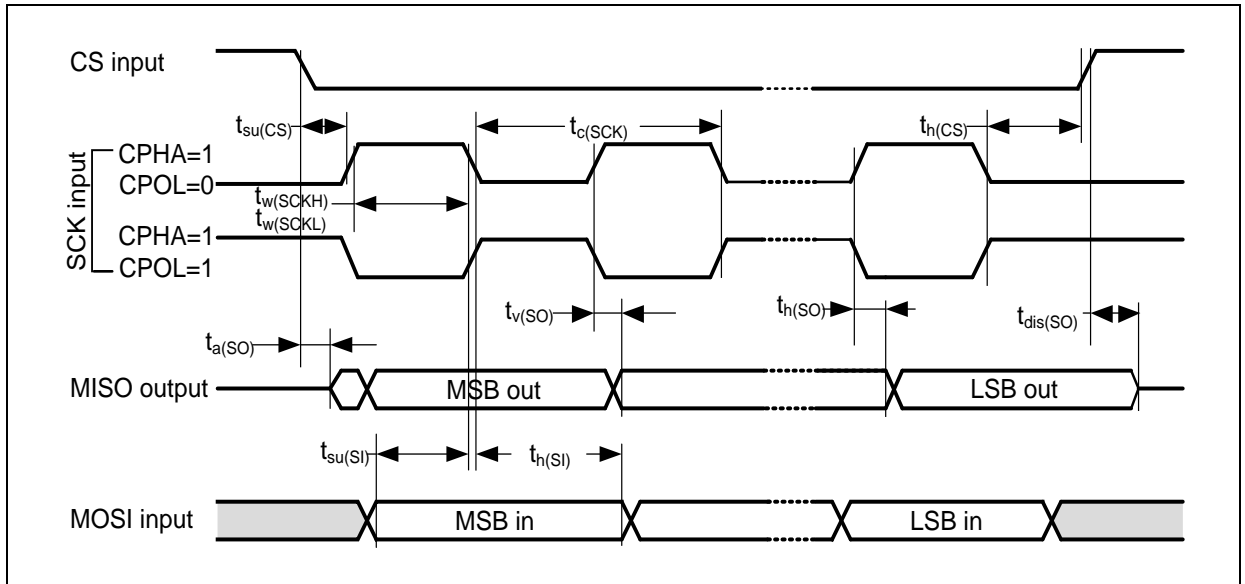
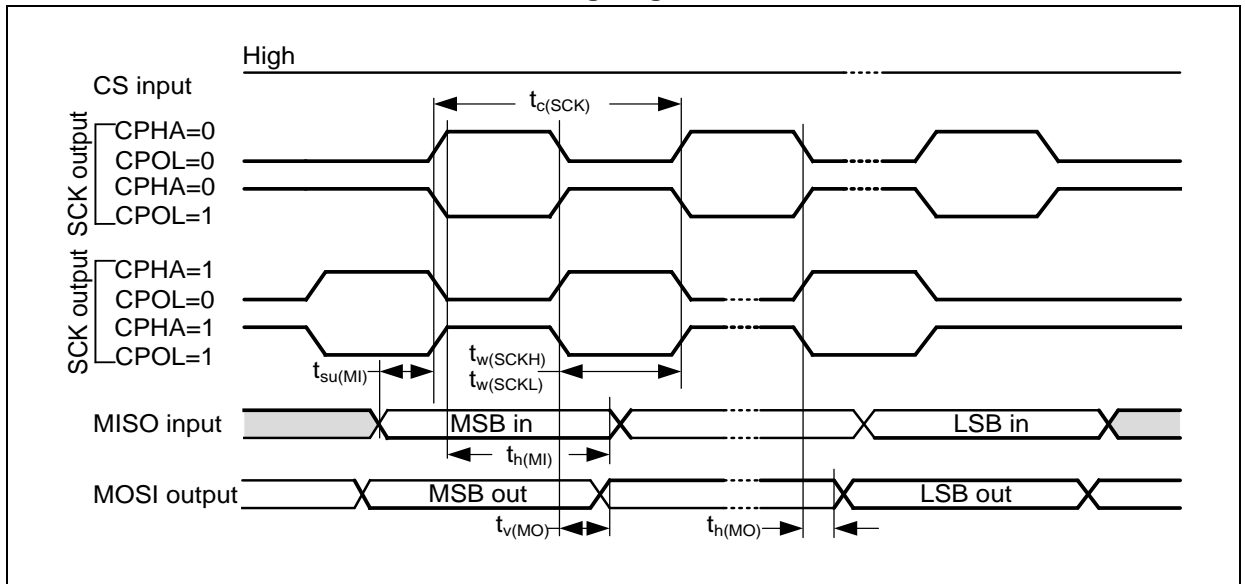


Figure 43. SPI timing diagram – master mode



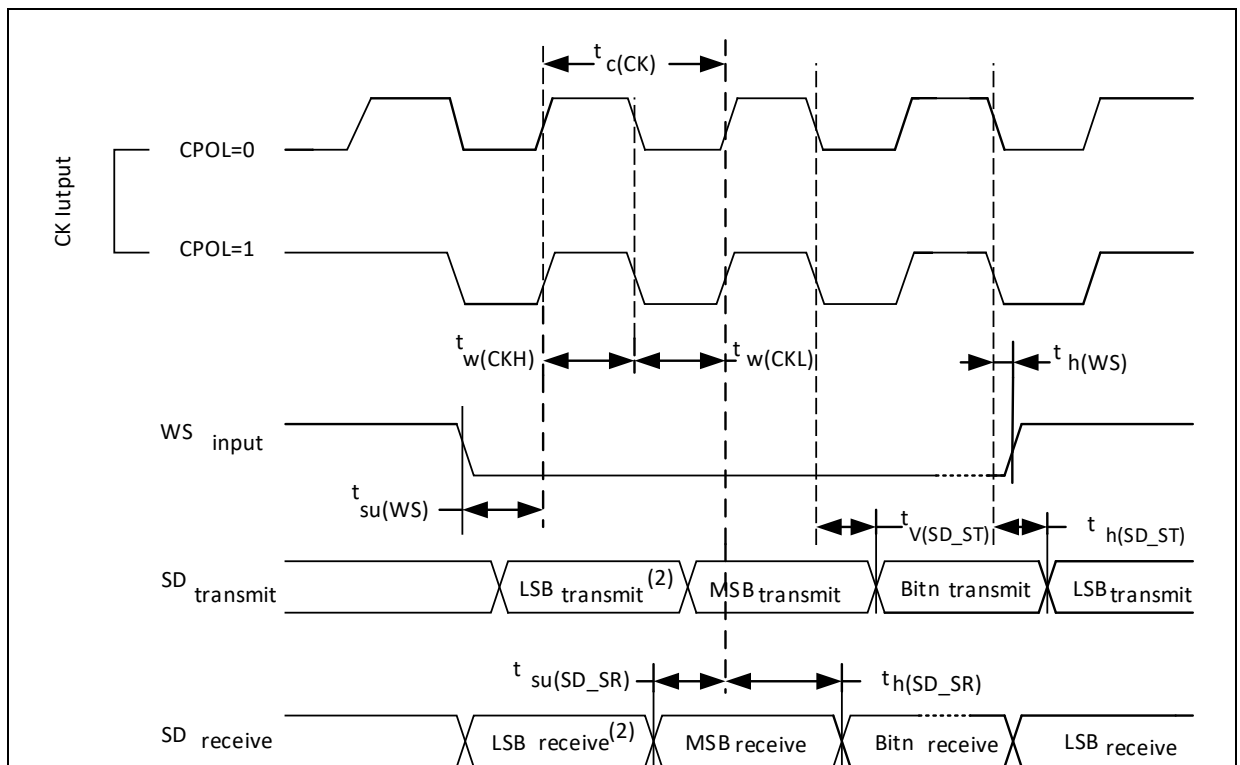
5.3.16 I²S characteristics

Table 54. I²S characteristics

Symbol	Parameter	Conditions	Min	Max	Unit
$t_r(\text{CK})$ $t_f(\text{CK})$	I ² S clock rise and fall time	Capacitive load: C = 15 pF	-	12	ns
$t_{v(\text{WS})}^{(1)}$	WS valid time	Master mode	0	4	
$t_{h(\text{WS})}^{(1)}$	WS hold time	Master mode	0	4	
$t_{su(\text{WS})}^{(1)}$	WS setup time	Slave mode	9	-	
$t_{h(\text{WS})}^{(1)}$	WS hold time	Slave mode	0	-	
$t_{su(\text{SD_MR})}^{(1)}$	Data input setup time	Master receiver	6	-	
$t_{su(\text{SD_SR})}^{(1)}$		Slave receiver	2	-	
$t_{h(\text{SD_MR})}^{(1)(2)}$	Data input hold time	Master receiver	0.5	-	
$t_{h(\text{SD_SR})}^{(1)(2)}$		Slave receiver	0.5	-	
$t_{v(\text{SD_ST})}^{(1)(2)}$	Data output valid time	Slave transmitter (after enable edge)	-	20	
$t_{h(\text{SD_ST})}^{(1)}$	Data output hold time	Slave transmitter (after enable edge)	9	-	
$t_{v(\text{SD_MT})}^{(1)(2)}$	Data output valid time	Master transmitter (after enable edge)	-	15	
$t_{h(\text{SD_MT})}^{(1)}$	Data output hold time	Master transmitter (after enable edge)	0	-	

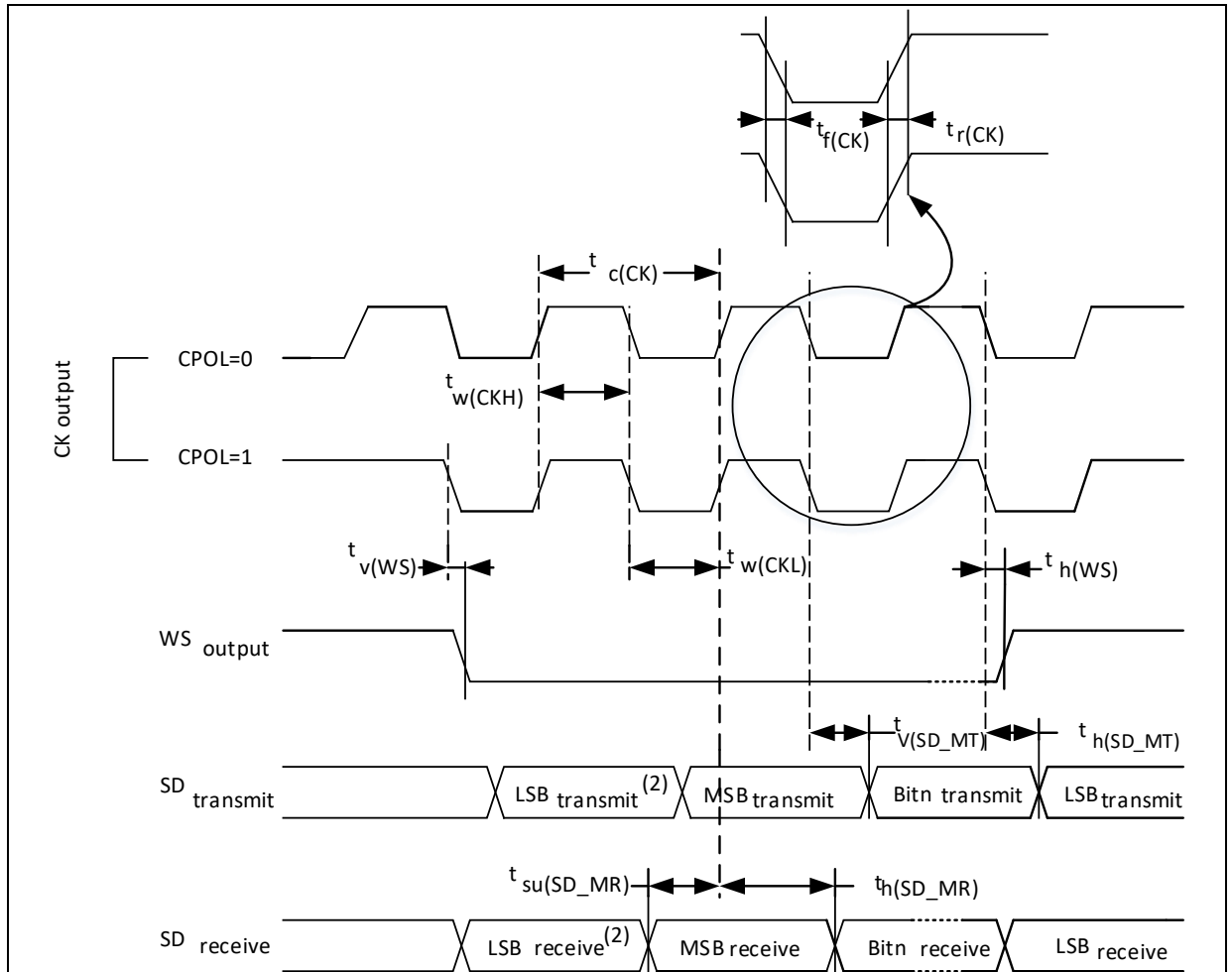
(1) Guaranteed by design, not tested in production.

(2) Depend on f_{PCLK} . For example, if $f_{\text{PCLK}} = 8 \text{ MHz}$, then $t_{\text{PCLK}} = 1/f_{\text{PCLK}} = 125 \text{ ns}$.

Figure 44. I²S slave timing diagram (Philips protocol)


(1) LSB transmit/receive of the previously transmitted byte. No LSB transmit/receive is sent before the first byte.

Figure 45. I²S master timing diagram (Philips protocol)

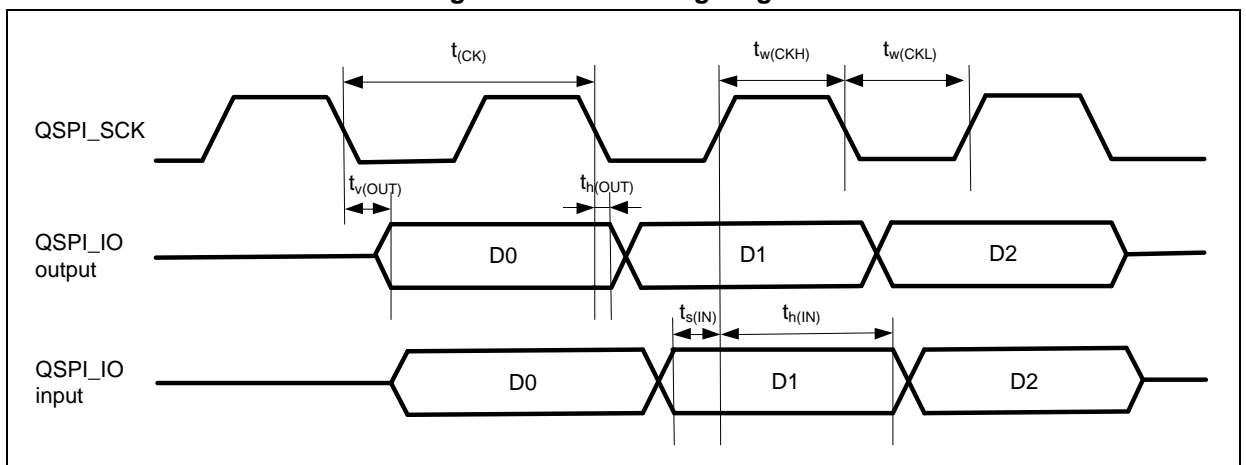


(1) LSB transmit/receive of the previously transmitted byte. No LSB transmit/receive is sent before the first byte.

5.3.17 QSPI characteristics

Table 55. QSPI characteristics

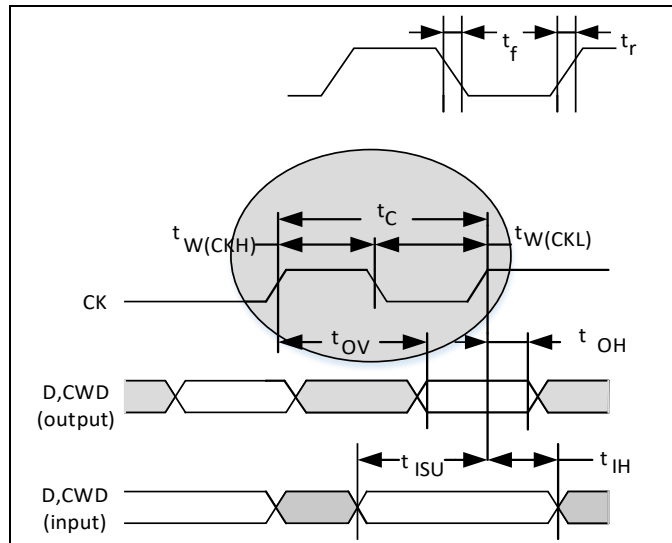
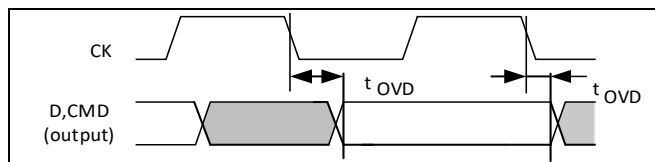
Symbol	Parameter	Conditions	Min	Typ	Max	Unit
f_{SCK} $1/t_{(CK)}$	QSPI clock frequency	-	-	-	96	MHz
$t_{w(CKH)}$	QSPI clock high and low time	-	$(t_{(CK)} / 2) - 2$	-	$t_{(CK)} / 2$	ns
$t_{w(CKL)}$			$t_{(CK)} / 2$	-	$(t_{(CK)} / 2) + 2$	ns
$t_{s(IN)}$	Data input setup time	-	2	-	-	ns
$t_{h(IN)}$	Data input hold time	-	4.5	-	-	ns
$t_{v(OUT)}$	Data output valid time	-	-	1.5	3	ns
$t_{h(OUT)}$	Data output hold time	-	0	-	-	ns

Figure 46. QSPI timing diagram


5.3.18 I²C characteristics

GPIO pins SDA and SCL have limitation as follows: they are not “true” open-drain. When configured as open-drain, the PMOS connected between the GPIO pin and V_{DD} is disabled, but is still present.

I²C bus interface can support standard mode (max. 100 kHz), fast mode (max. 400 kHz), and fast mode plus (max. 1 MHz).

5.3.19 SDIO characteristics
Figure 47. SDIO high-speed mode

Figure 48. SD default mode

Table 56. SD/MMC characteristics

Symbol	Parameter	Conditions	Min	Max	Unit
f_{PP}	Clock frequency in data transfer mode	-	0	48	MHz
$t_{W(CKL)}$	Clock low time	-	32	-	ns
$t_{W(CKH)}$	Clock high time	-	30	-	
t_r	Clock rise time	-	-	4	
t_f	Clock fall time	-	-	5	
CMD, D inputs (referenced to CK)					
t_{ISU}	Clock setup time	-	2	-	ns
t_{IH}	Clock hold time	-	0	-	
CMD, D outputs (referenced to CK) in MMC and SD HS mode					
t_{OV}	Output valid time	-	-	6	ns
t_{OH}	Output hold time	-	0	-	
CMD, D outputs (referenced to CK) in SD default mode					
t_{OVD}	Output valid default time	-	-	7	ns
t_{OHD}	Output hold default time	-	0.5	-	

5.3.20 OTGFS characteristics

Table 57. OTGFS startup time

Symbol	Parameter	Max	Unit
$t_{STARTUP}^{(1)}$	OTGFS transceiver startup time	1	μs

(1) Guaranteed by design, not tested in production.

Table 58. OTGFS DC electrical characteristics

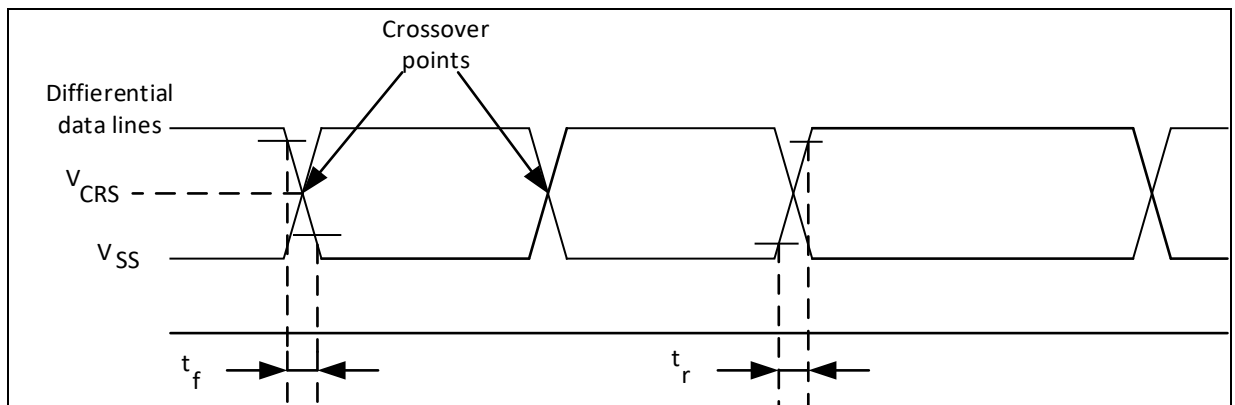
Symbol	Parameter	Conditions	Min ⁽¹⁾	Typ	Max ⁽¹⁾	Unit
Input levels	V_{DD}	OTGFS operating voltage	-	3.0 ⁽²⁾	3.6	V
	$V_{DI}^{(3)}$	Differential input sensitivity	I (OTGFS_D+/D-)	0.2	-	V
	$V_{CM}^{(3)}$	Differential common mode range	Include V_{DI} range	0.8	2.5	
	$V_{SE}^{(3)}$	Single ended receiver threshold	-	1.3	2.0	
Output levels	V_{OL}	Static output level low	R_L of 1.24 k Ω to 3.6 V ⁽⁴⁾	-	0.3	V
	V_{OH}	Static output level high	R_L of 15 k Ω to $V_{SS}^{(4)}$	2.8	3.6	
R_{PU}	OTGFS_D+ internal pull-up	$V_{IN} = V_{SS}$	0.97	1.24	1.58	k Ω
R_{PD}	OTGFS_D+/D- internal pull-down	$V_{IN} = V_{DD}$	15	19	25	k Ω

(1) All the voltages are measured from the local ground potential.

(2) The AT32F435/437 USB functionality is ensured down to 2.7 V but not the full USB electrical characteristics which are degraded in the 2.7 to 3.0 V V_{DD} voltage range.

(3) Guaranteed by design, not tested in production.

(4) R_L is the load connected on the USB drivers.

Figure 49. OTGFS timings: definition of data signal rise and fall time

Table 59. OTGFS electrical characteristics

Symbol	Parameter	Conditions	Min ⁽¹⁾	Max ⁽¹⁾	Unit
t_r	Rise time ⁽²⁾	$C_L \leq 50$ pF	4	20	ns
t_f	Fall time ⁽²⁾	$C_L \leq 50$ pF	4	20	ns
t_{rfm}	Rise/fall time matching	t_r/t_f	90	110	%
V_{CRS}	Output signal crossover voltage	-	1.3	2.0	V

(1) Guaranteed by design, not tested in production.

(2) Measured from 10% to 90% of the data signal. For more detailed information, please refer to USB Specification Chapter 7 (version 2.0).

5.3.21 EMAC characteristics

Operating voltage

Table 60. EMAC DC electrical characteristics

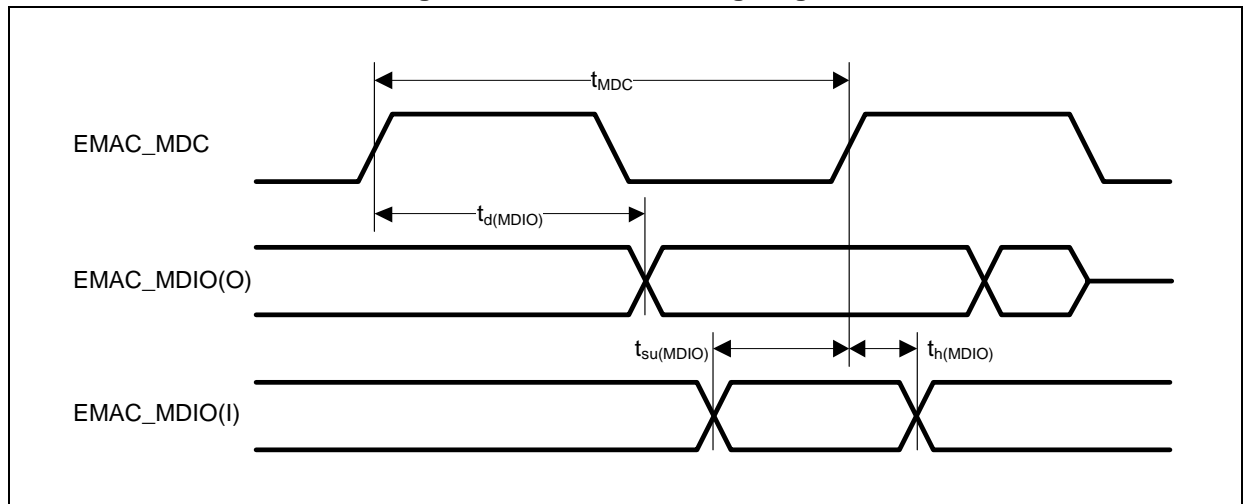
Symbol	Parameter	Min ⁽¹⁾	Max ⁽¹⁾	Unit
V _{DD}	EMAC operating voltage	3.0	3.6	V

(1) All the voltages are measured from the local ground potential.

SMI (station management interface)

Table 61. Dynamic characteristics: EMAC signals for SMI

Symbol	Parameter	Min	Typ	Max	Unit
t _{MDC}	MDC cycle time (1.96 MHz, f _{AHB} = 200 MHz)	509	510	511	ns
t _{d(MDIO)}	MDIO write data valid time	13.5	14.5	15.5	
t _{su(MDIO)}	Read data setup time	35	-	-	
t _{h(MDIO)}	Read data hold time	0	-	-	

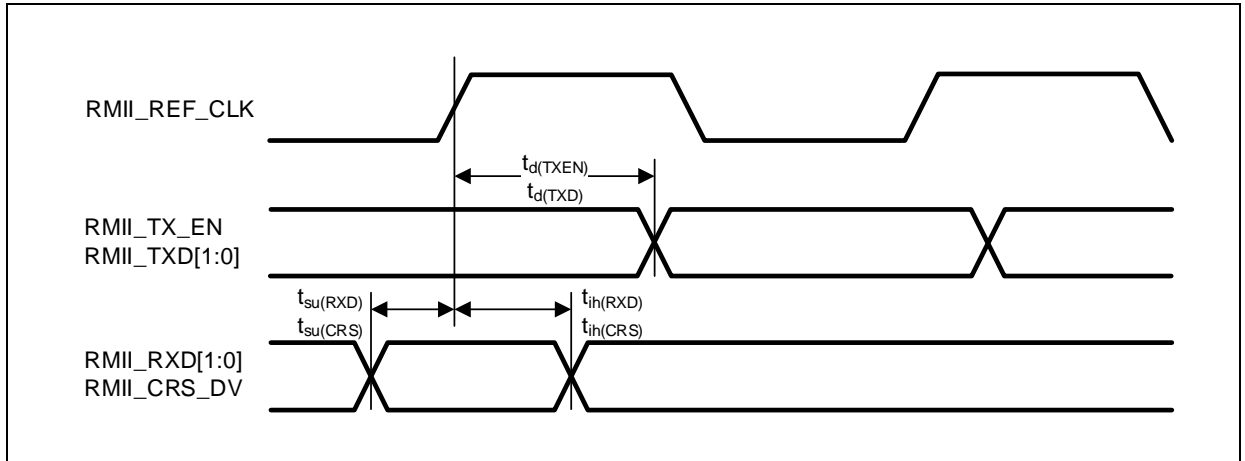
Figure 50. EMAC SMI timing diagram


RMII

Table 62. Dynamic characteristics: EMAC signals for RMII

Symbol	Parameter	Min	Typ	Max	Unit
t _{su(RXD)}	Receive data setup time	4	-	-	ns
t _{h(RXD)}	Receive data hold time	2	-	-	
t _{su(DV)}	Carrier sense set-up time	4	-	-	
t _{h(DV)}	Carrier sense hold time	2	-	-	
t _{d(TXEN)}	Transmit enable valid delay time	8	10	16	
t _{d(TXD)}	Transmit data valid delay time	7	10	16	

Figure 51. EMAC RMII timing diagram

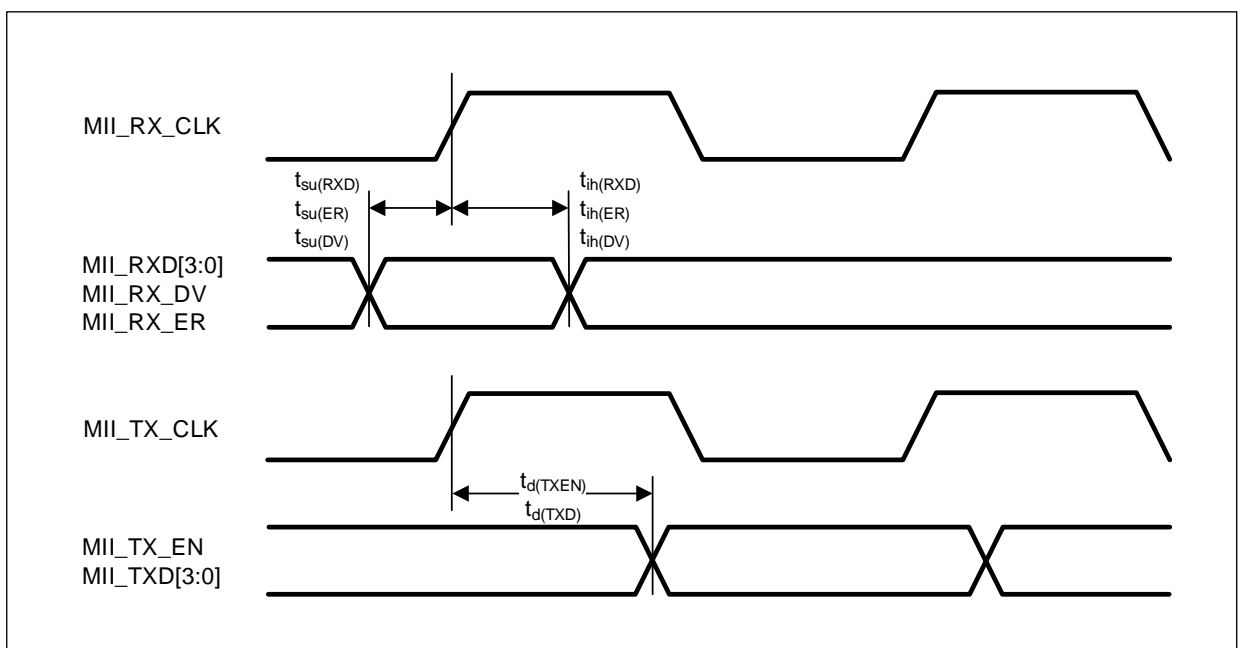


MII

Table 63. Dynamic characteristics: EMAC signals for MII

Symbol	Parameter	Min	Typ	Max	Unit
$t_{su}(RXD)$	Receive data setup time	10	-	-	ns
$t_{ih}(RXD)$	Receive data hold time	10	-	-	
$t_{su}(DV)$	Data valid setup time	10	-	-	
$t_{ih}(DV)$	Data valid hold time	10	-	-	
$t_{su}(ER)$	Error setup time	10	-	-	
$t_{ih}(ER)$	Error hold time	10	-	-	
$t_d(TXEN)$	Transmit enable valid delay time	14	16	18	
$t_d(TXD)$	Transmit data valid delay time	13	16	20	

Figure 52. EMAC MII timing diagram



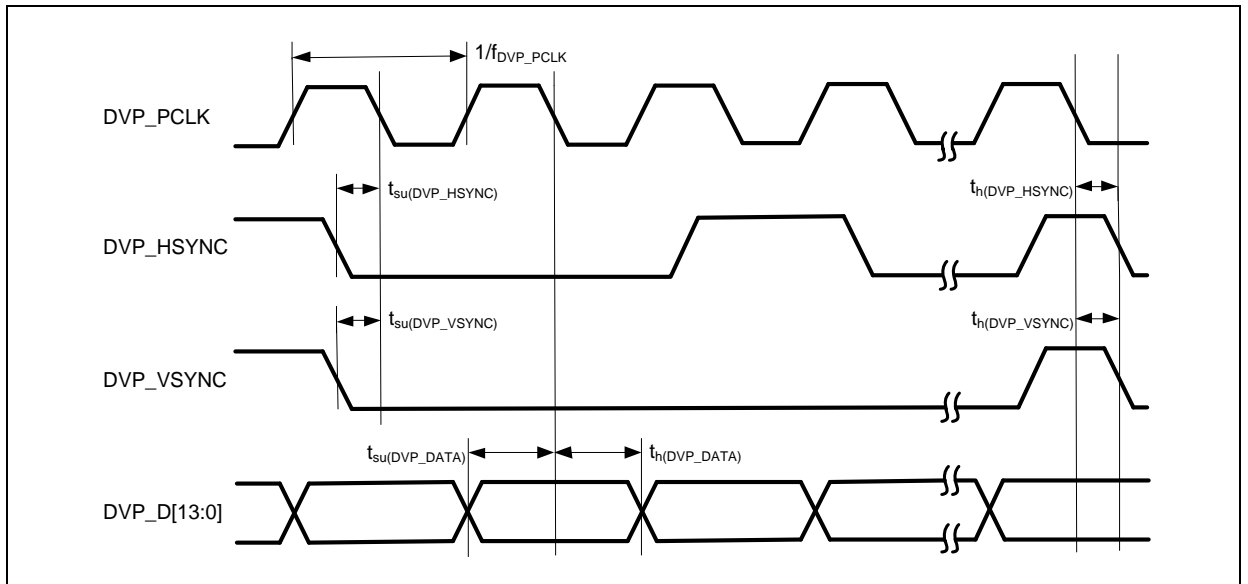
5.3.22 DVP characteristics

DVP_PCLK polarity: falling edge; DVP_HSYNC and DVP_VSYNC polarity: high level.

Table 57. DVP characteristics

Symbol	Parameter	Min	Max	Unit
f_{DVP_PCLK}	Frequency of the input pixel clock	-	54	MHz
Duty _{DVP_PCLK}	Duty cycle of the input pixel clock	30	70	%
$t_{su}(DVP_DATA)$	Input data setup time	1	-	ns
$t_h(DVP_DATA)$	Input data hold time	3.5	-	ns
$t_{su}(DVP_HSYNC)$ $t_{su}(DVP_VSYNC)$	Input HSYNC/VSYNC setup time	2	-	ns
$t_h(DVP_HSYNC)$ $t_h(DVP_VSYNC)$	Input HSYNC/VSYNC hold time	0	-	ns

Figure 53. DVP timing diagram



5.3.23 12-bit ADC characteristics

Unless otherwise specified, the parameters given in the table below are preliminary values derived from tests performed under ambient temperature, f_{PCLK2} frequency and V_{DDA} supply voltage conditions summarized in [Table 15](#).

Note: It is recommended to perform a calibration after each power-up.

Table 64. ADC characteristics

Symbol	Parameter	Conditions	Min	Typ	Max	Unit	
V_{DDA}	Power supply	-	2.6	-	3.6	V	
V_{REF+}	Positive reference voltage ⁽³⁾	-	2.0	-	V_{DDA}	V	
I_{DDA}	Current on V_{DDA} input pin	-	-	1280 ⁽¹⁾	1560	μ A	
I_{VREF+}	Current on V_{REF+} input pin ⁽³⁾	-	-	400 ⁽¹⁾	480	μ A	
f_{ADC}	ADC clock frequency	$V_{REF+} \geq 2.6$ V	0.6	-	80	MHz	
		$V_{REF+} < 2.6$ V	0.6	-	30		
$f_s^{(2)}$	Sampling rate	12-bit resolution	Fast channels	0.04	-	5.33	MSPS
			Slow channels		-	4.21	
		10-bit resolution	Fast channels	0.047	-	6.15	
			Slow channels		-	4.71	
		8-bit resolution	Fast channels	0.055	-	7.27	
			Slow channels		-	5.33	
6-bit resolution	Fast channels	0.067	-	8.88			
	Slow channels		-	6.15			
$f_{TRIG}^{(2)}$	External trigger frequency	$f_{ADC} = 80$ MHz	-	-	4.44	MHz	
		-	-	-	18	$1/f_{ADC}$	
V_{AIN}	Conversion voltage range ⁽³⁾	-	0 (V_{REF-} connected to ground)	-	V_{REF+}	V	
$R_{AIN}^{(2)}$	External input impedance	-	See Table 65			Ω	
$C_{ADC}^{(2)}$	Internal sample and hold capacitor	-	-	10	-	pF	
$t_{CAL}^{(2)}$	Calibration time	$f_{ADC} = 80$ MHz	2.56			μ s	
		-	205			$1/f_{ADC}$	
$t_{lat}^{(2)}$	Preemptive trigger conversion latency	$f_{ADC} = 80$ MHz	-	-	37.5	ns	
		-	-	-	3 ⁽⁴⁾	$1/f_{ADC}$	
$t_{latr}^{(2)}$	Ordinary trigger conversion latency	$f_{ADC} = 80$ MHz	-	-	25	ns	
		-	-	-	2 ⁽⁴⁾	$1/f_{ADC}$	
$t_s^{(2)}$	Sampling time	$f_{ADC} = 80$ MHz	0.031	-	8.006	μ s	
		-	2.5	-	640.5	$1/f_{ADC}$	
$t_{STAB}^{(2)}$	Power-up time	-	45			$1/f_{ADC}$	
$t_{CONV}^{(2)}$	Total conversion time (including sampling time)	$f_{ADC} = 80$ MHz, 12-bit resolution	0.188	-	8.163	μ s	
		12-bit resolution	15 ~ 653 (t_s for sampling+ 12.5 for successive approximation)			$1/f_{ADC}$	

(1) Guaranteed by characterization results, not tested in production.

(2) Guaranteed by design, not tested in production.

- (3) V_{REF+} can be internally connected to V_{DDA} depending on the package.
- (4) For external triggers, a delay of $1/f_{PCLK2}$ must be added to the latency specified in [Table 64](#).

[Table 65](#) are used to define the maximum external impedance allowed for an error below 1 of LSB in 12-bit resolution.

Table 65. R_{AIN} max for $f_{ADC} = 80$ MHz

T_s (cycle)	t_s (μs)	R_{AIN} max (Ω) ⁽¹⁾	
		Fast channels	Slow channels
2.5	0.031	30	-
6.5	0.081	200	50
12.5	0.156	400	350
24.5	0.306	800	700
47.5	0.594	1700	1500
92.5	1.156	3000	2600
247.5	3.094	9000	8500
640.5	8.006	20000	19000

(1) Guaranteed by design.

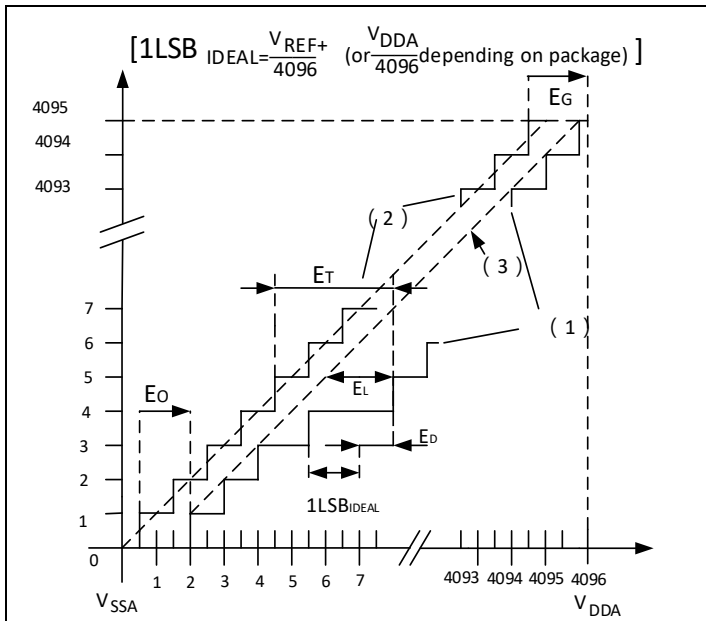
Table 66. ADC accuracy ⁽¹⁾⁽²⁾

Symbol	Parameter	Test conditions	Typ	Max	Unit
ET	Total unadjusted error	$f_{ADC} = 80$ MHz, $R_{AIN} < 20$ k Ω , $V_{DDA} = 3.0\sim 3.6$ V, $T_A = 25$ °C, $V_{REF+} = V_{DDA}$	± 1.5	± 3	LSB
EO	Offset error		± 0.5	± 1.5	
EG	Gain error		± 0.5	± 1.5	
ED	Differential linearity error		± 1	+1.5/-1	
EL	Integral linearity error		± 1.5	± 3	
ET	Total unadjusted error	$f_{ADC} = 15 \sim 80$ MHz, $R_{AIN} < 20$ k Ω , $V_{DDA} = 2.6\sim 3.6$ V, $T_A = -40 \sim 105$ °C, $V_{REF+} = 2.0\sim 3.6$ V	± 2	± 4.5	LSB
EO	Offset error		± 0.5	± 3	
EG	Gain error		+1.5	+4/-2	
ED	Differential linearity error		± 1	+2/-1	
EL	Integral linearity error		± 1.5	± 3.5	

(1) ADC DC accuracy values are measured after internal calibration.

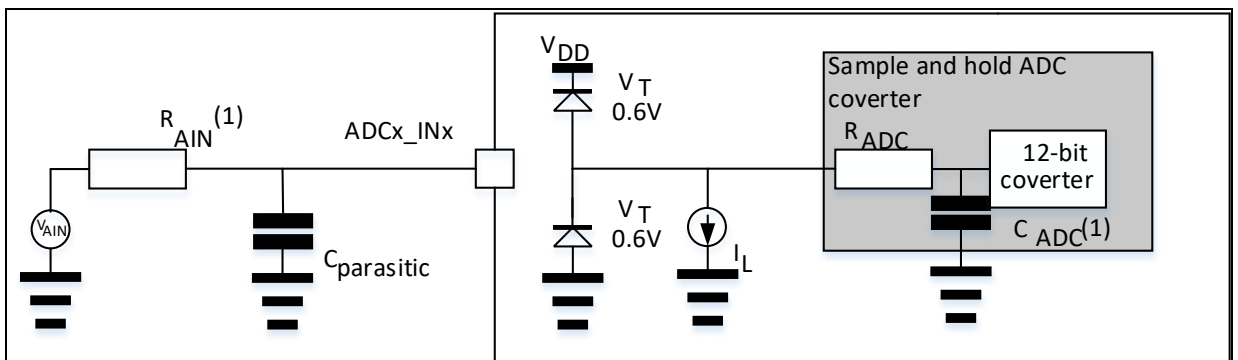
(2) Guaranteed by characterization results, not tested in production.

Figure 54. ADC accuracy characteristics



- (1) Example of an actual transfer curve.
- (2) Ideal transfer curve.
- (3) End point correlation line.
- (4) ET = Maximum deviation between the actual and the ideal transfer curves.
 EO = Deviation between the first actual transition and the first ideal one.
 EG = Deviation between the last ideal transition and the last actual one.
 ED = Maximum deviation between actual steps and the ideal one.
 EL = Maximum deviation between any actual transition and the end point correlation line.

Figure 55. Typical connection diagram using the ADC



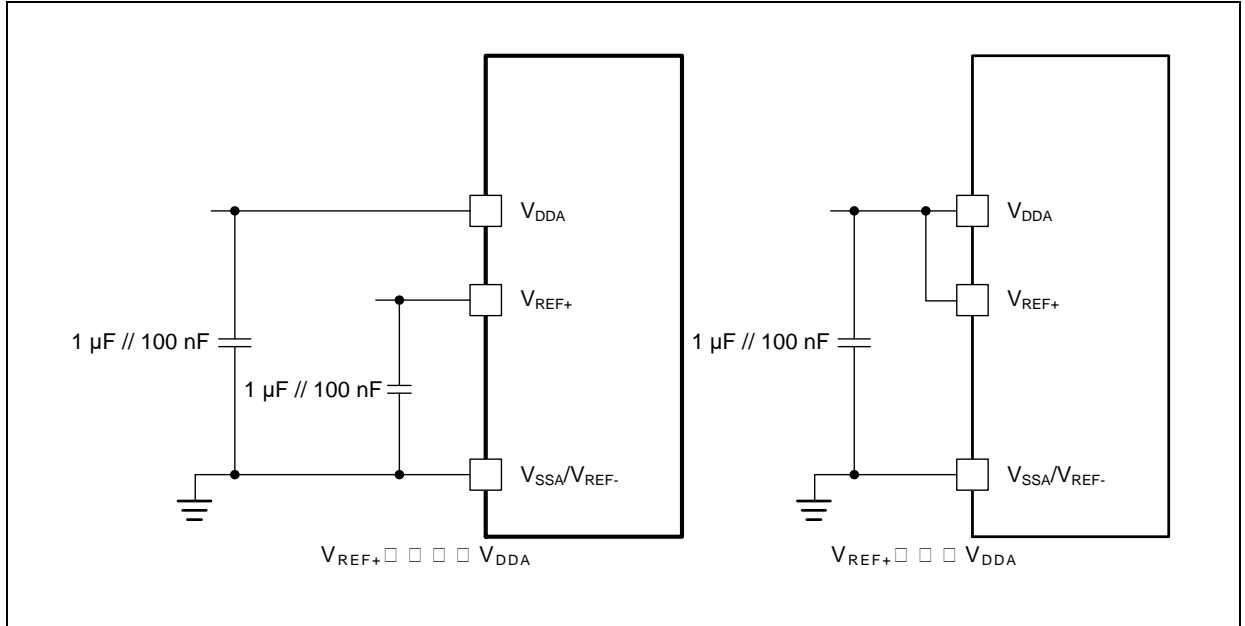
- (1) Refer to [Table 64](#) for the values of R_{AIN} and C_{ADC} .
- (2) $C_{parasitic}$ represents the capacitance of the PCB (dependent on soldering and PCB layout quality) plus the pad capacitance (roughly 7 pF). A high $C_{parasitic}$ value will downgrade conversion accuracy. To remedy this, f_{ADC} should be reduced.

General PCB design guidelines

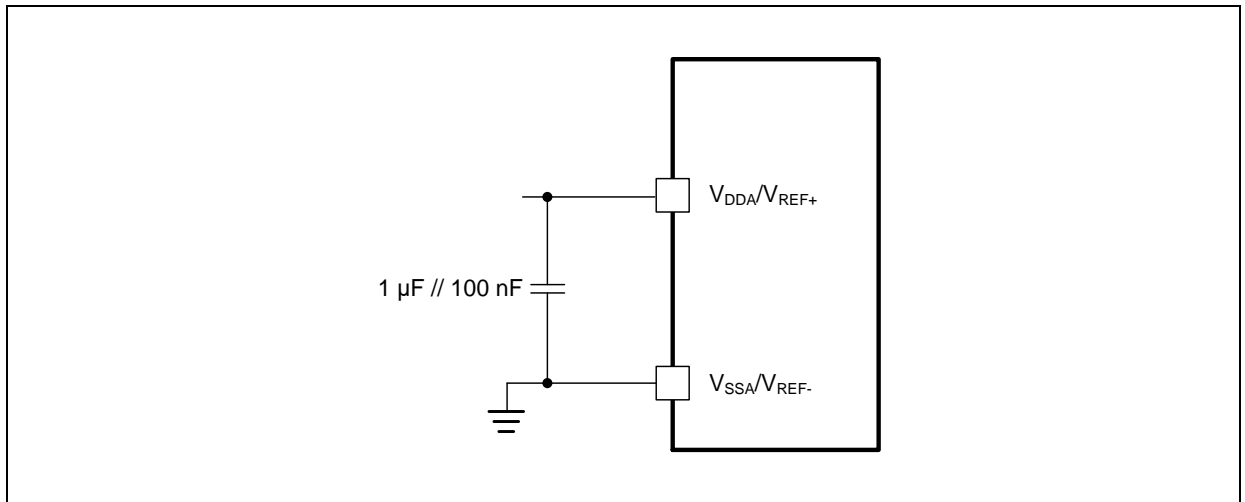
Power supply decoupling should be performed as shown in [Figure 56](#) or [Figure 57](#), depending on whether V_{REF+} is connected to V_{DDA} or not. The 100 nF capacitors should be ceramic (good quality). They should be placed them as close as possible to the chip.

If HEXT is enabled while ADC uses any input channel of ADC3_IN4~8 and ADC123_IN10~13, following PCB layout guide line below benefits to isolate the high frequency interference from HEXT emitting to ADC input signals nearby.

- Use different PCB layers to route ADC_IN signal apart from HEXT path
- Do not route ADC_IN signals and HEXT path parallel

Figure 56. Power supply and reference decoupling (V_{REF+} connected to V_{DDA})


(1) V_{REF+} input is available only on 100-pin package.

Figure 57. Power supply and reference decoupling (V_{REF+} not connected to V_{DDA})


(1) V_{REF+} input is available only on 100-pin package.

5.3.24 Internal reference voltage (V_{INTRV}) characteristics

Table 67. Internal reference voltage characteristics

Symbol	Parameter	Conditions	Min	Typ	Max	Unit
$V_{INTRV}^{(1)}$	Internal reference voltage	-	1.16	1.20	1.24	V
$T_{Coeff}^{(1)}$	Temperature coefficient	-	-	50	100	ppm/°C
$T_{S_VINTRV}^{(2)}$	ADC sampling time when reading the internal reference voltage	-	5	-	-	μs

(1) Guaranteed by characterization results, not tested in production.

(2) Guaranteed by design, not tested in production.

5.3.25 Temperature sensor (V_{TS}) characteristics

Table 68. Temperature sensor characteristics

Symbol	Parameter	Conditions	Min	Typ	Max	Unit
$T_L^{(1)}$	V_{TS} linearity with temperature	$T_A = -40 \sim +85 \text{ }^\circ\text{C}$	-	± 1	± 2	$^\circ\text{C}$
		$T_A = -40 \sim +105 \text{ }^\circ\text{C}$	-	-	± 3	
Avg_Slope ⁽¹⁾⁽²⁾	Average slope	-	-4.00	-4.13	-4.25	mV/ $^\circ\text{C}$
$V_{25}^{(1)(2)}$	Voltage at 25 $^\circ\text{C}$	-	1.21	1.27	1.34	V
$t_{START}^{(3)}$	Setup time	-	-	-	100	μs
$T_{S_temp}^{(3)}$	ADC sampling time when reading the temperature	-	5	-	-	μs

(1) Guaranteed by characterization results, not tested in production.

(2) The temperature sensor output voltage changes linearly with temperature. The offset of this line varies from chip to chip due to process variation (up to 50 $^\circ\text{C}$ from one chip to another). The internal temperature sensor is more suited to applications that detect temperature variations instead of absolute temperatures. If accurate temperature readings are needed, an external temperature sensor part should be used.

(3) Guaranteed by design, not tested in production.

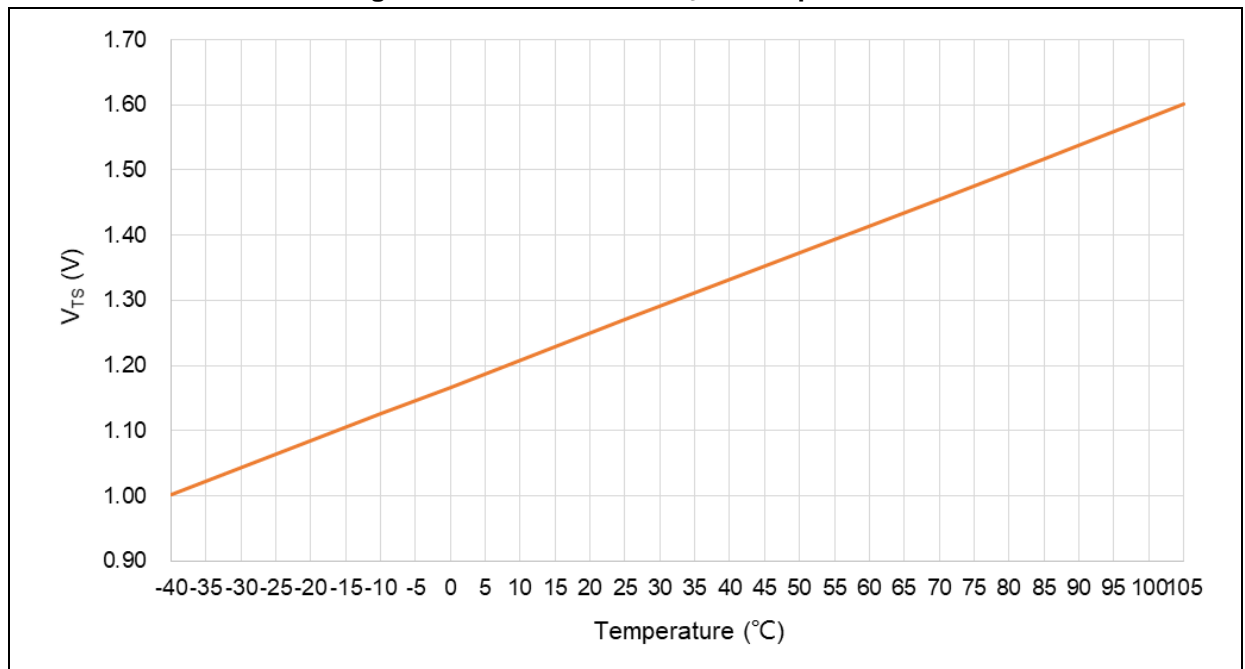
Obtain the temperature using the following formula:

$$\text{Temperature (}^\circ\text{C)} = \{(V_{25} - V_{TS}) / \text{Avg_Slope}\} + 25$$

where,

$V_{25} = V_{TS}$ value for 25 $^\circ\text{C}$

Avg_Slope = Average Slope for curve between Temperature vs. V_{TS} (given in mV/ $^\circ\text{C}$)

Figure 58. Ideal curve of V_{TS} vs. temperature


5.3.26 V_{BAT} voltage monitor characteristics
Table 69. V_{BAT} voltage monitor characteristics

Symbol	Parameter	Min	Typ	Max	Unit
$R_{VBATM}^{(1)}$	String resistor value of the V_{BAT} monitor	-	45	-	$k\Omega$
Q	Dividing factor of the V_{BAT} monitor	-	4	-	-
$Q_{ET}^{(1)}$	Total error of Q	-1	-	+1	%
$T_{S_VBATM}^{(2)}$	ADC sampling time when reading the voltage of the V_{BAT} monitor	5	-	-	μs

(1) Guaranteed by characterization results, not tested in production.

(2) Guaranteed by design, not tested in production.

5.3.27 12-bit DAC characteristics
Table 70. DAC characteristics

Symbol	Parameter	Conditions	Min	Typ	Max	Unit
V_{DDA}	Analog supply voltage	-	2.6	-	3.6	V
$V_{REF+}^{(3)}$	Reference supply voltage	-	2.0	-	3.6	V
V_{SSA}	Ground	-	0	-	0	V
$R_{LOAD}^{(1)}$	Load resistance with buffer ON	-	5	-	-	k Ω
$R_O^{(2)}$	Impedance output with buffer OFF	-	-	13.2	16	k Ω
$C_{LOAD}^{(1)}$	Capacitive load (buffer ON)	-	-	-	50	pF
DAC_OUT ⁽¹⁾	Lower DAC_OUT voltage with buffer ON	-	0.15	-	-	V
	Higher DAC_OUT voltage with buffer ON	-	-	-	$V_{REF+} - 0.15$	V
	Lower DAC_OUT voltage with buffer OFF	-	-	0.5	5	mV
	Higher DAC_OUT voltage with buffer OFF	-	-	-	$V_{REF+} - 2\text{ mV}$	V
I_{DDA}	DAC DC current consumption in quiescent mode	With no load, $V_{REF+} = 3.6\text{ V}$	-	460	625	μA
$I_{VREF+}^{(3)}$	DAC AC current consumption in quiescent mode	With no load, $V_{REF+} = 3.6\text{ V}$	-	270	310	μA
DNL ⁽²⁾	Differential non linearity	-	-	± 0.4	± 0.8	LSB
INL ⁽²⁾	Integral non linearity (difference between measured value from code i and a line drawn between DAC_OUT min and DAC_OUT max)	-	-	± 1	± 3	LSB
Offset ⁽²⁾	Offset error (difference between measured value at Code (0x800) and the ideal value = $V_{REF+}/2$)	-	-	10	15	mV
		-	-	10	25	LSB
Gain error ⁽²⁾	Gain error	-	-	0.1	0.25	%
$t_{SETTLING}$	Setting time	$R_{LOAD} \geq 5\text{ k}\Omega$ $C_{LOAD} \leq 50\text{ pF}$	-	1	4	μs
Update rate	Max frequency for a correct DAC_OUT change when small variation in the input code (from code i to i+1 LSB)	$R_{LOAD} \geq 5\text{ k}\Omega$ $C_{LOAD} \leq 50\text{ pF}$	-	-	1	MSPS
t_{WAKEUP}	Wakeup time from off state (setting the EN bit in the DAC Control register)	$R_{LOAD} \geq 5\text{ k}\Omega$ $C_{LOAD} \leq 50\text{ pF}$	-	1.2	4	μs

(1) Guaranteed by design, not tested in production.

(2) Guaranteed by characterization results, not tested in production.

(3) V_{REF+} can be internally connected to V_{DDA} depending on the package.

6 Package information

6.1 LQFP144

Figure 59. LQFP144 – 20 x 20 mm 144 pin low-profile quad flat package outline

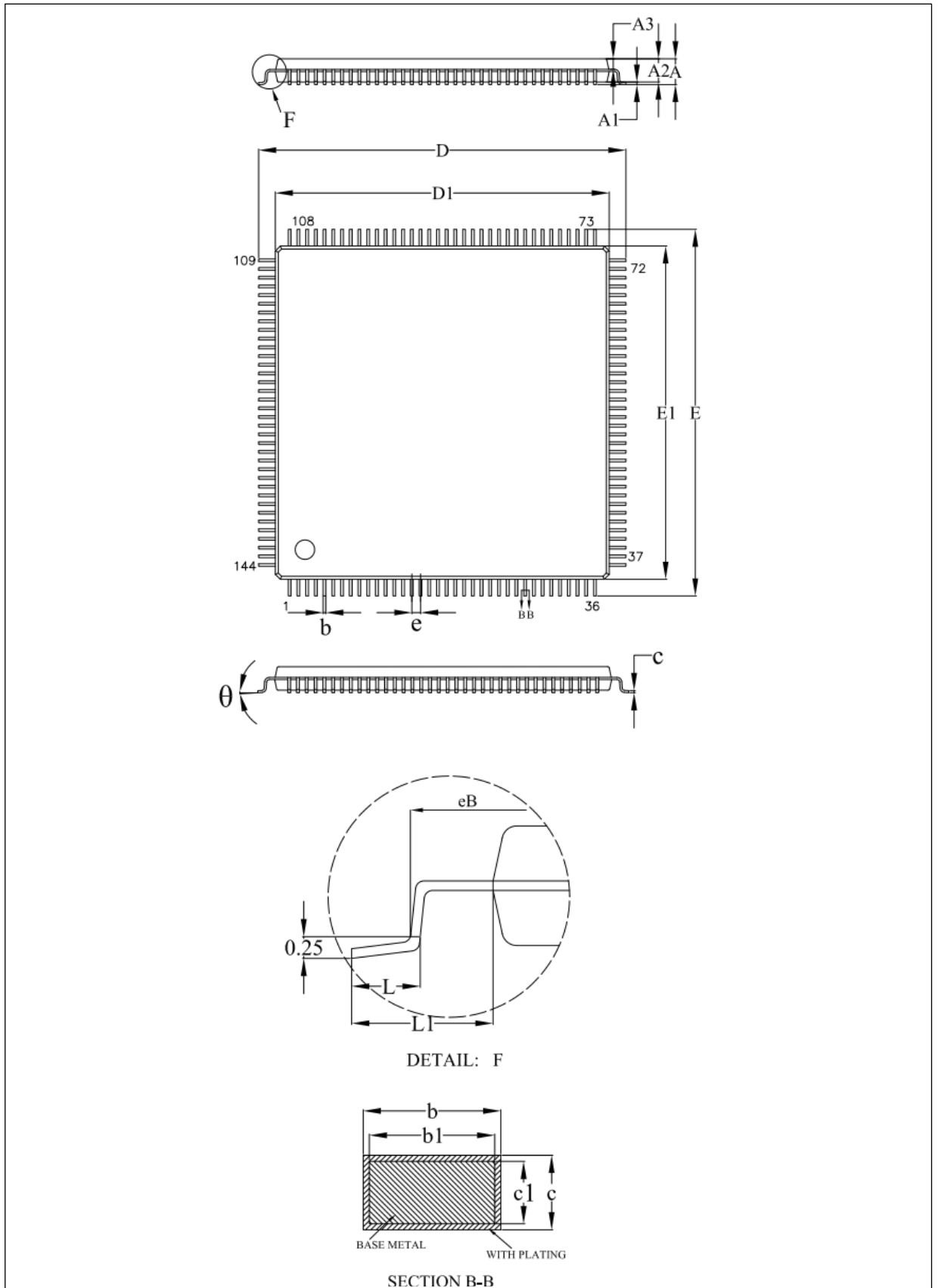


Table 71. LQFP144 – 20 x 20 mm 144 pin low-profile quad flat package mechanical data

Symbol	millimeters		
	Min	Typ	Max
A	-	-	1.60
A1	0.05	-	0.15
A2	1.35	1.40	1.45
A3	0.59	0.64	0.69
b	0.18	-	0.26
b1	0.17	0.20	0.23
c	0.13	-	0.17
c1	0.12	0.13	0.14
D	21.80	22.00	22.20
D1	19.90	20.00	20.10
E	21.80	22.00	22.20
E1	19.90	20.00	20.10
e	0.50 BSC.		
L	0.45	0.60	0.75
L1	1.00 REF.		
θ	0°	3.5°	7°

6.2 LQFP100

Figure 60. LQFP100 – 14 x 14 mm 100 pin low-profile quad flat package outline

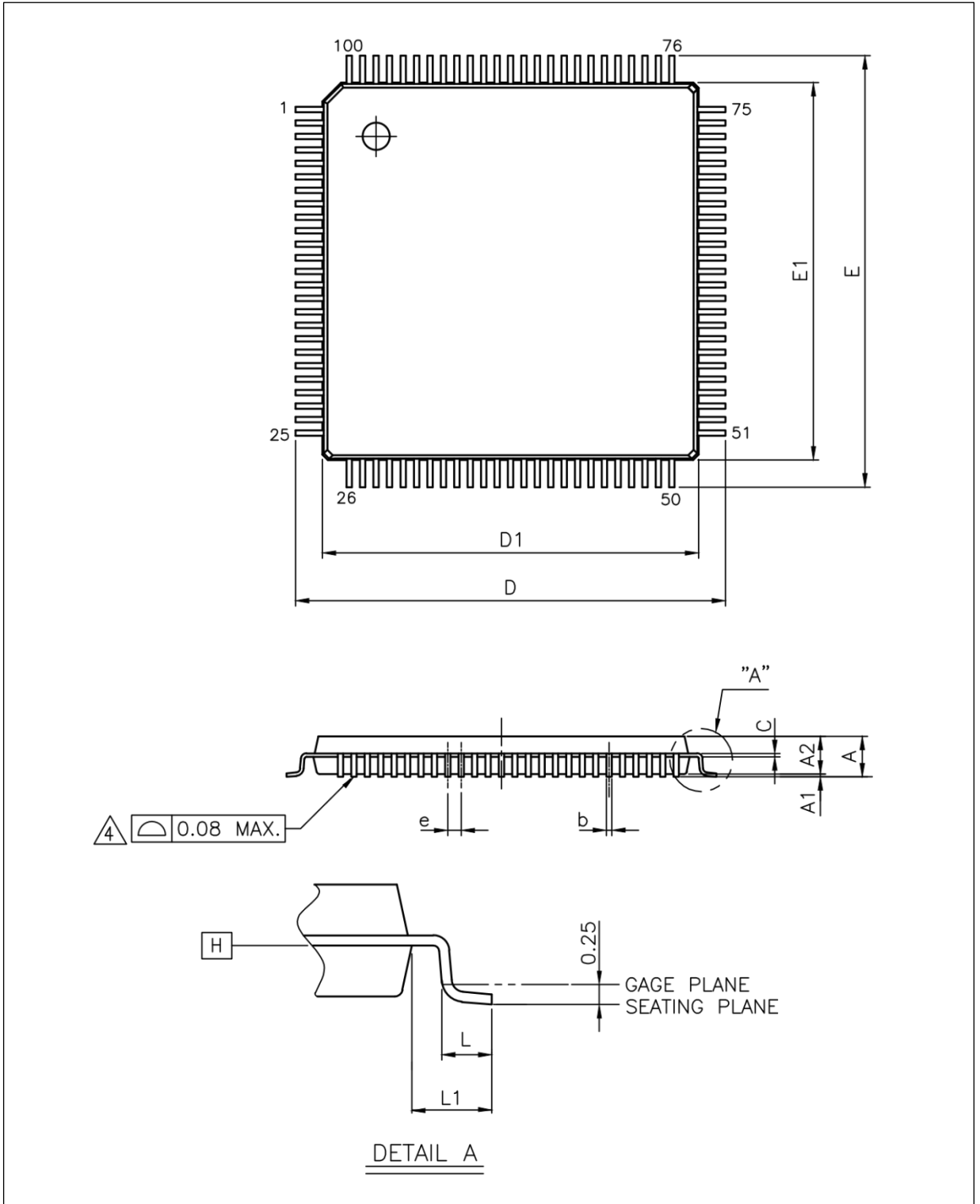


Table 72. LQFP100 – 14 x 14 mm 100 pin low-profile quad flat package mechanical data

Symbol	millimeters		
	Min	Typ	Max
A	-	-	1.60
A1	0.05	-	0.15
A2	1.35	1.40	1.45
b	0.17	0.20	0.26
c	0.10	0.127	0.20
D	15.75	16.00	16.25
D1	13.90	14.00	14.10
E	15.75	16.00	16.25
E1	13.90	14.00	14.10
e	0.50 BSC.		
L	0.45	0.60	0.75
L1	1.00 REF.		

6.3 LQFP64

Figure 61. LQFP64 – 10 x 10 mm 64 pin low-profile quad flat package outline

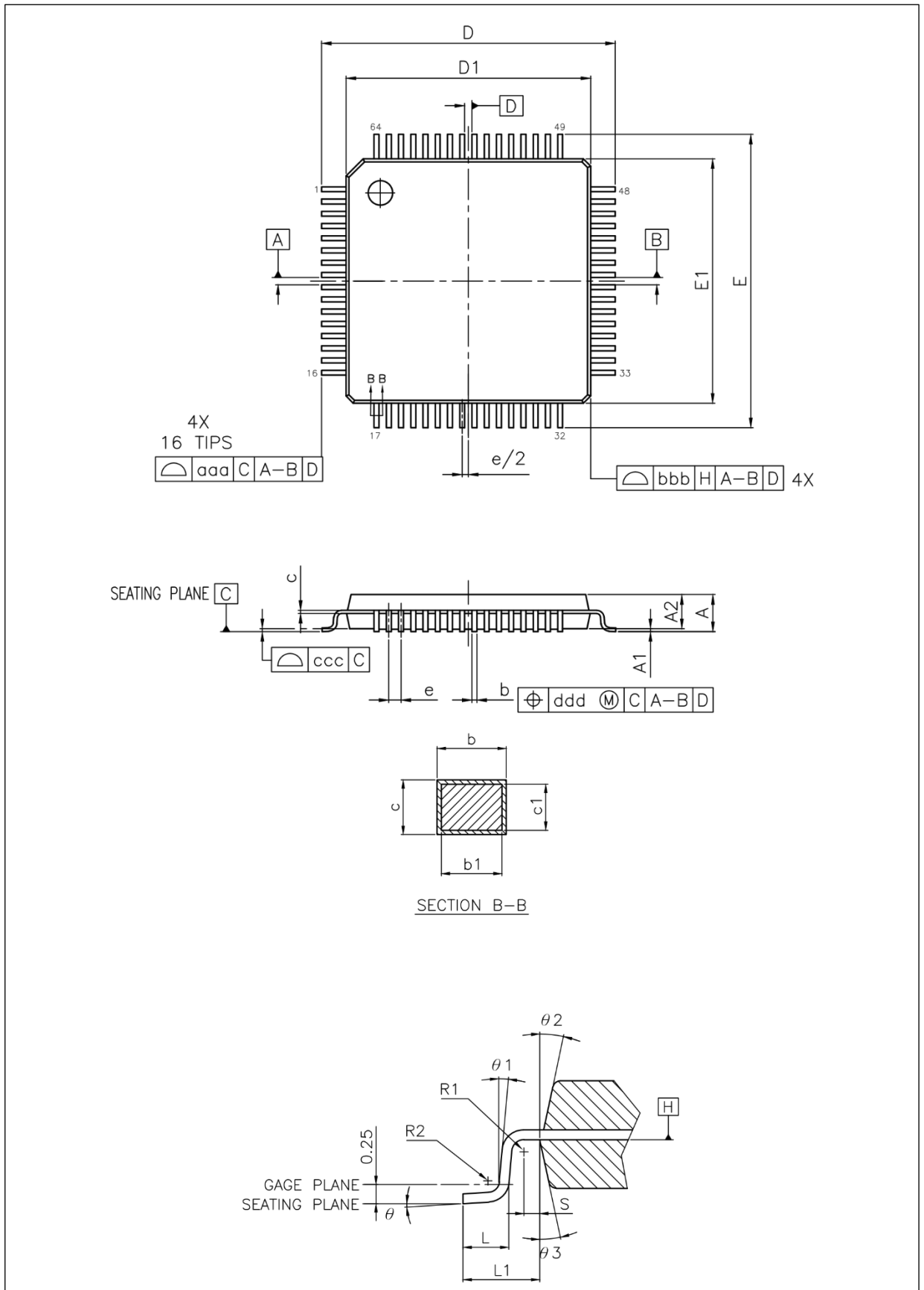


Table 73. LQFP64 – 10 x 10 mm 64 pin low-profile quad flat package mechanical data

Symbol	millimeters		
	Min	Typ	Max
A	-	-	1.60
A1	0.05	-	0.15
A2	1.35	1.40	1.45
b	0.17	0.20	0.27
c	0.09	-	0.20
D	11.75	12.00	12.25
D1	9.90	10.00	10.10
E	11.75	12.00	12.25
E1	9.90	10.00	10.10
e	0.50 BSC.		
Ø	3.5° REF.		
L	0.45	0.60	0.75
L1	1.00 REF.		
ccc	0.08		

6.4 LQFP48

Figure 62. LQFP48 – 7 x 7 mm 48 pin low-profile quad flat package outline

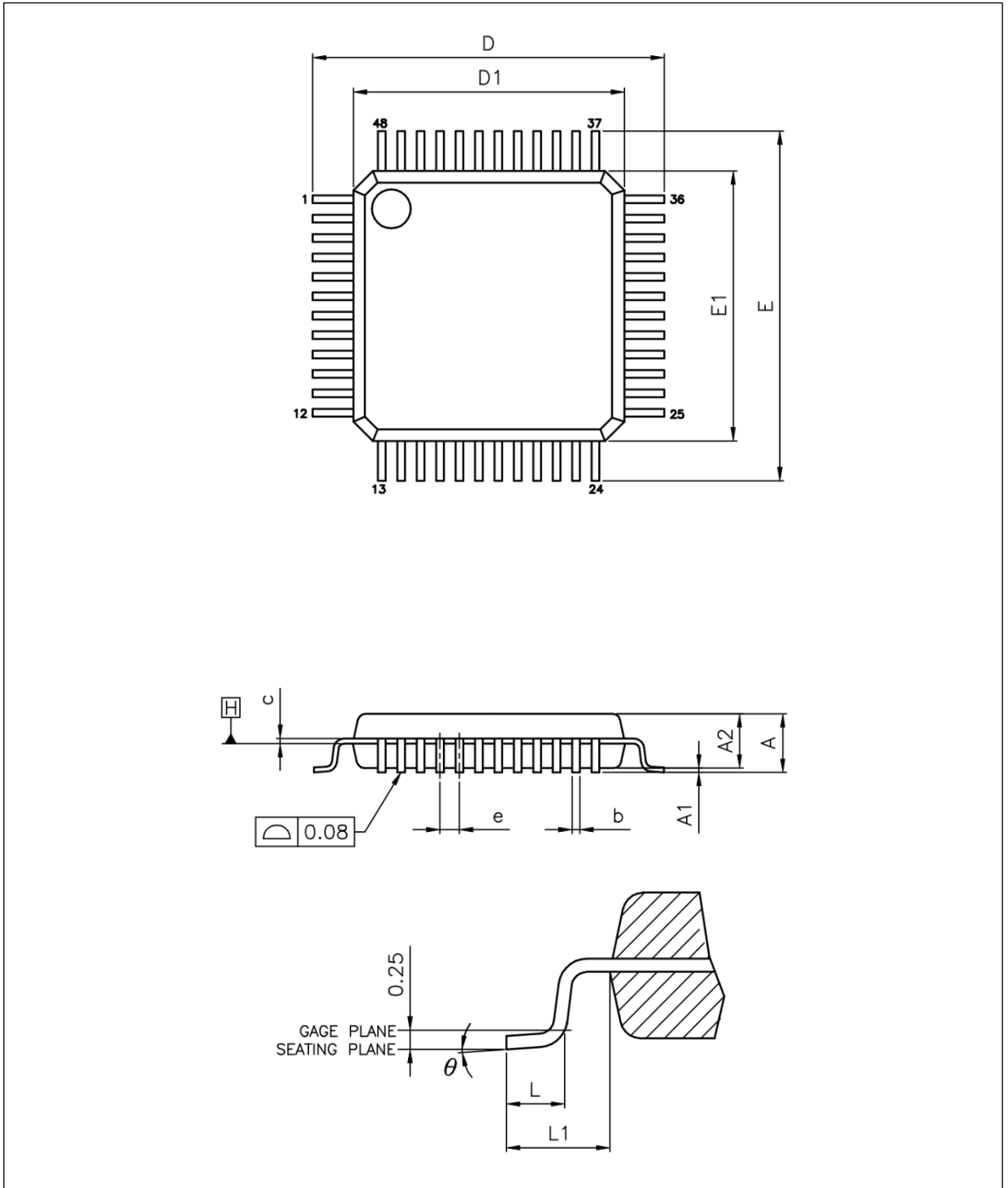


Table 74. LQFP48 – 7 x 7 mm 48 pin low-profile quad flat package mechanical data

Symbol	millimeters		
	Min	Typ	Max
A	-	-	1.60
A1	0.05	-	0.15
A2	1.35	1.40	1.45
b	0.17	0.22	0.27
c	0.09	-	0.20
D	8.80	9.00	9.20
D1	6.90	7.00	7.10
E	8.80	9.00	9.20
E1	6.90	7.00	7.10
e	0.50 BSC.		
Θ	0°	3.5°	7°
L	0.45	0.60	0.75
L1	1.00 REF.		

6.5 QFN48

Figure 63. QFN48 – 6 x 6 mm 48 pin quad flat no-leads package outline

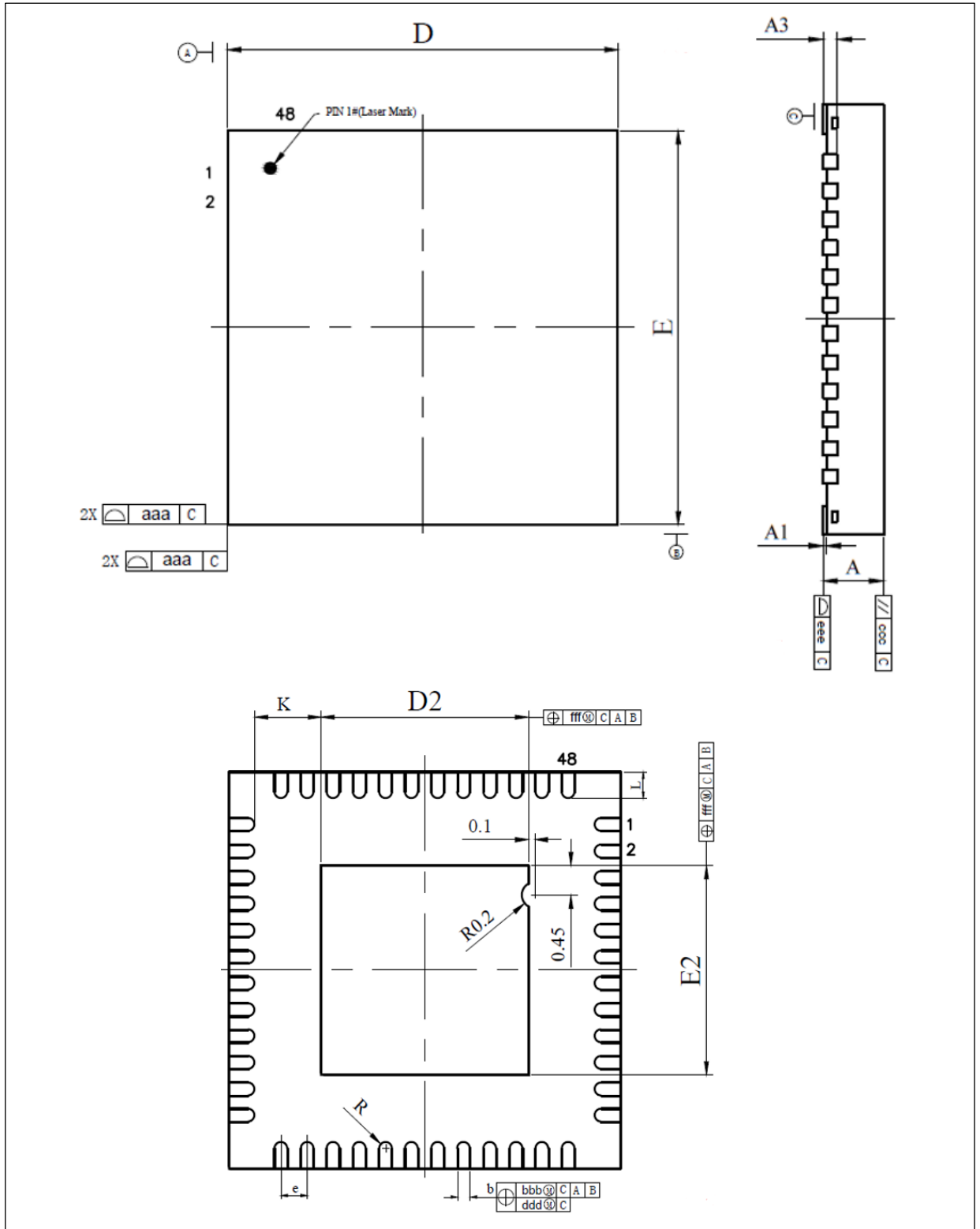
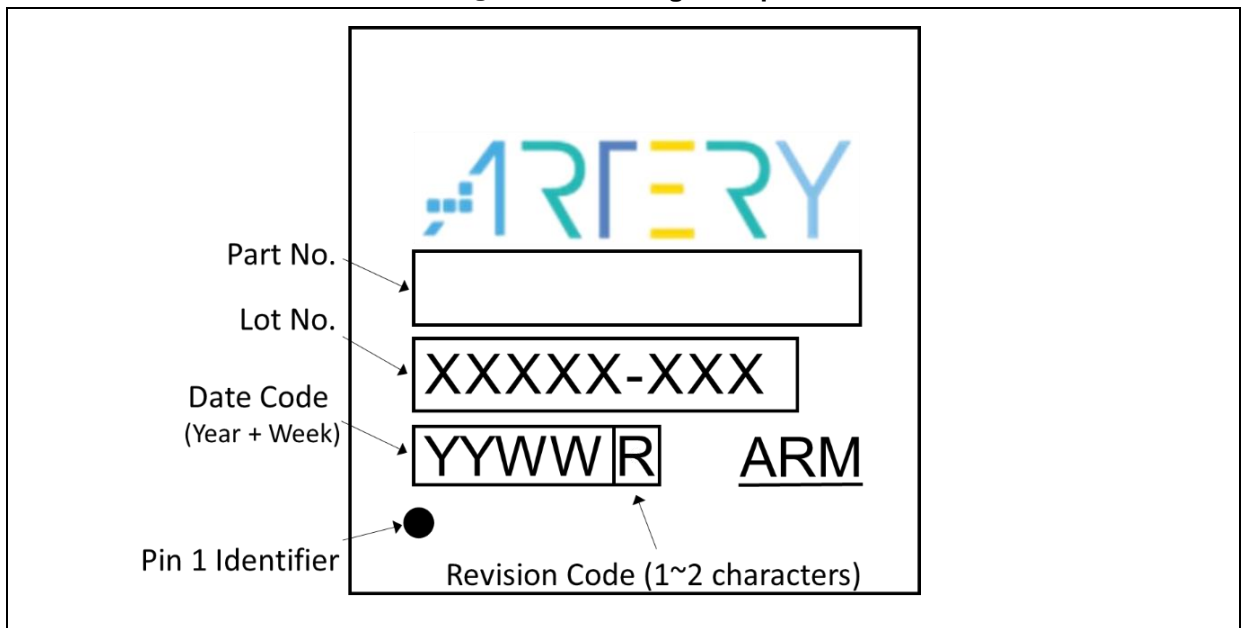


Table 75. QFN48 – 6 x 6 mm 48 pin quad flat no-leads package mechanical data

Symbol	millimeters		
	Min	Typ	Max
A	0.80	0.85	0.90
A1	0.00	0.02	0.05
A3	0.203 REF.		
b	0.15	0.20	0.25
D	5.90	6.00	6.10
D2	3.07	3.17	3.27
E	5.90	6.00	6.10
E2	3.07	3.17	3.27
e	0.40 BSC.		
K	0.20	-	-
L	0.35	0.40	0.45

6.6 Device marking

Figure 64. Marking example



(1) Not in scale.

6.7 Thermal characteristics

Thermal characteristics are calculated based on two-layer board that uses FR-4 material in 1.6mm thickness. They are guaranteed by design, not tested in production.

Table 76. Package thermal characteristics

Symbol	Parameter	Values	Unit
Θ_{JA}	Thermal resistance junction-ambient —LQFP144 – 20 x 20 mm/0.5 mm	49.7	°C/W
	Thermal resistance junction-ambient —LQFP100 – 14 x 14 mm/0.5 mm	63.2	
	Thermal resistance junction-ambient —LQFP64 – 10 x 10 mm/0.5 mm	64.4	
	Thermal resistance junction-ambient —LQFP48 – 7 x 7 mm/0.5 mm	62.5	
	Thermal resistance junction-ambient —QFN48 – 6 x 6 mm/0.4 mm	40.0	

7 Part numbering

Table 77. AT32F435/437 series part numbering

Example:	AT32	F	4	3	7	Z	M	T	7
Product family	AT32 = ARM®-based 32-bit microcontroller								
Product type	F = General-purpose								
Core	4 = Cortex®-M4								
Product series	3 = High performance								
Product application	7 = Ethernet EMAC series 5 = OTGFS series								
Pin count	Z = 144 pins V = 100 pins R = 64 pins C = 48 pins								
Internal Flash memory size	M = 4 Mbytes of the internal Flash memory G = 1 Mbytes of the internal Flash memory D = 448 Kbytes of the internal Flash memory C = 256 Kbytes of the internal Flash memory								
Package	T = LQFP U = QFN								
Temperature range	7 = -40 °C to +105 °C								

For a list of available options (speed, package, etc.) or for more information concerning this device, please contact your local Artery sales office.

8 Document revision history

Table 78. Document revision history

Date	Version	Revision note
2021.10.27	2.00	Initial release.
2022.1.13	2.01	1. Updated Figure 63 . 2. Modified contents in the original Table 16 .
2022.6.13	2.02	1. Added max values at $T_A = 25\text{ }^\circ\text{C}$ and notes of Table 24 and Table 25 . 2. Added max and min values of D, D1, E, E1 for each package.
2023.3.24	2.10	1. Added AT32F435/437xD. 2. Added pins for USART3 in Table 5 . 3. Modified V_{DD} and T_A in Table 15 and deleted the original Table 16 . 4. Modified current values in Table 22 , Table 23 and Table 24 . 5. Modified SPI clock frequency in Table 53 . 6. Modified current values in Table 64 , and updated Figure 56 and Figure 57 . 7. Modified thermal characteristic values of QFN48 in Table 76 .
2023.10.17	2.11	1. Modified Table 18 , Table 44 , Table 45 , Table 46 , Table 47 , Table 53 and Table 54 . 2. Added note (3) of Table 36 . 3. Added contents in 2.13.6 . 4. Modified the fourth paragraph in IMPORTANT NOTICE.

IMPORTANT NOTICE – PLEASE READ CAREFULLY

Purchasers are solely responsible for the selection and use of ARTERY's products and services; ARTERY assumes no liability for purchasers' selection or use of the products and the relevant services.

No license, express or implied, to any intellectual property right is granted by ARTERY herein regardless of the existence of any previous representation in any forms. If any part of this document involves third party's products or services, it does NOT imply that ARTERY authorizes the use of the third party's products or services, or permits any of the intellectual property, or guarantees any uses of the third party's products or services or intellectual property in any way.

Except as provided in ARTERY's terms and conditions of sale for such products, ARTERY disclaims any express or implied warranty, relating to use and/or sale of the products, including but not restricted to liability or warranties relating to merchantability, fitness for a particular purpose (based on the corresponding legal situation in any unjudicial districts), or infringement of any patent, copyright, or other intellectual property right.

ARTERY's products are not designed for the following purposes, and thus not intended for the following uses: (A) Applications that have specific requirements on safety, for example: life-support applications, active implant devices, or systems that have specific requirements on product function safety; (B) Aviation applications; (C) Aerospace applications or environment; (D) Weapons, and/or (E) Other applications that may cause injuries, deaths or property damages. Since ARTERY products are not intended for the above-mentioned purposes, if purchasers apply ARTERY products to these purposes, purchasers are solely responsible for any consequences or risks caused, even if any written notice is sent to ARTERY by purchasers; in addition, purchasers are solely responsible for the compliance with all statutory and regulatory requirements regarding these uses.

Any inconsistency of the sold ARTERY products with the statement and/or technical features specification described in this document will immediately cause the invalidity of any warranty granted by ARTERY products or services stated in this document by ARTERY, and ARTERY disclaims any responsibility in any form.

© 2023 ARTERY Technology – All rights reserved